

H21 Series Hydraulic Pump Spine Shaft



- 2 & 4 Bolt SAE B Mount
- Birotational pump

| Gear Width | Flow Chart/Gal. Per Min. | | | | |
|------------|--------------------------|--------|--------|--------|------|
| | 1" | 1-1/4" | 1-1/2" | 1-3/4" | 2" |
| C.I.R. | 2.0 | 2.5 | 3.0 | 3.5 | 4.0 |
| RPM | | | | | |
| 600 | 3.0 | 4.0 | 6.0 | 7.0 | 8.5 |
| 900 | 6.0 | 7.5 | 10.0 | 11.5 | 13.5 |
| 1000 | 6.8 | 8.3 | 11.7 | 13.3 | 15.8 |
| 1200 | 8.5 | 11.0 | 14.0 | 16.0 | 19.0 |
| 1500 | 11.0 | 14.0 | 17.5 | 20.5 | 24.0 |
| 1800 | 13.5 | 17.5 | 21.5 | 25.0 | 29.0 |
| 2100 | 16.0 | 21.0 | 25.5 | 29.5 | 34.5 |

| Part No. | Mounting | Outboard Bearing | Shaft | Flow @ 1000 RPM | Max. Pressure | NPT Ports Side | NPT Ports Rear | Gear Width | Wt. (lbs.) | Cat. |
|----------|--------------------------------------|------------------|---------------|-----------------|---------------|----------------|----------------|------------|------------|---------|
| H2136101 | 2/4 Bolt | N | 7/8-13 Spline | 6.8 | 3000 | 1" | 1" | 1 | 29.0 | 620 (Y) |
| H2136121 | 2/4 Bolt | N | 7/8-13 Spline | 8.7 | 3000 | 1" | 1" | 1-1/4 | 31.7 | 620 (Y) |
| H2136151 | 2/4 Bolt | N | 7/8-13 Spline | 11.3 | 3000 | 1" | 1" | 1-1/2 | 31.7 | 620 (Y) |
| H2136171 | 2/4 Bolt | N | 7/8-13 Spline | 13.0 | 2500 | 1-1/4" | 1" | 1-3/4 | 37.0 | 620 (Y) |
| H2136201 | 2/4 Bolt | N | 7/8-13 Spline | 15.3 | 2500 | 1-1/4" | 1" | 2 | 35.0 | 620 (Y) |
| Part No. | Description | | | | | | | | Wt. (lbs.) | Cat. |
| H504 | Pump Mounting Bracket for H21 Series | | | | | | | | 7.0 | 631 (N) |

H21 Series Hydraulic Pump Keyed Shaft



- 2 & 4 Bolt SAE B Mount
- Birotational pump

| Gear Width | Flow Chart/Gal. Per Min. | | | | |
|------------|--------------------------|--------|--------|--------|------|
| | 1" | 1-1/4" | 1-1/2" | 1-3/4" | 2" |
| C.I.R. | 2.0 | 2.5 | 3.0 | 3.5 | 4.0 |
| RPM | | | | | |
| 600 | 3.0 | 4.0 | 6.0 | 7.0 | 8.5 |
| 900 | 6.0 | 7.5 | 10.0 | 11.5 | 13.5 |
| 1000 | 6.8 | 8.3 | 11.7 | 13.3 | 15.8 |
| 1200 | 8.5 | 11.0 | 14.0 | 16.0 | 19.0 |
| 1500 | 11.0 | 14.0 | 17.5 | 20.5 | 24.0 |
| 1800 | 13.5 | 17.5 | 21.5 | 25.0 | 29.0 |
| 2100 | 16.0 | 21.0 | 25.5 | 29.5 | 34.5 |

| Part No. | Mounting | Outboard Bearing | Shaft | Flow @ 1000 RPM | Max. Pressure | NPT Ports Side | NPT Ports Rear | Gear Width | Wt. (lbs.) | Cat. |
|----------|--------------------------------------|------------------|-----------------|-----------------|---------------|----------------|----------------|------------|------------|---------|
| H2136153 | 2/4 Bolt | Y | 1" Keyed 1/4 KW | 11.3 | 3000 | 1" | 1" | 1-1/2 | 16.47 | 620 (Y) |
| H2136173 | 2/4 Bolt | Y | 1" Keyed 1/4 KW | 13.0 | 2500 | 1-1/4" | 1" | 1-3/4 | 16.47 | 620 (Y) |
| H2136203 | 2/4 Bolt | Y | 1" Keyed 1/4 KW | 15.3 | 2500 | 1-1/4" | 1" | 2 | 39.0 | 620 (Y) |
| Part No. | Description | | | | | | | | Wt. (lbs.) | Cat. |
| H504 | Pump Mounting Bracket for H21 Series | | | | | | | | 7.0 | 631 (N) |

Hydraulic Pumps

H50 Series Hydraulic Pump Spine Shaft



- 2 & 4 Bolt SAE B Mount
- Birotational pump

| Gear Width | Flow Chart/Gal. Per Min. | | | |
|------------|--------------------------|------|--------|--------|
| | 1-3/4" | 2" | 2-1/4" | 2-1/2" |
| C.I.R. | 3.86 | 5.15 | 5.58 | 6.0 |
| RPM | | | | |
| 600 | 10.0 | 11.0 | 12.0 | 13.0 |
| 900 | 15.0 | 17.5 | 19.0 | 21.0 |
| 1000 | 18.0 | 20.0 | 21.1 | 27.8 |
| 1200 | 21.0 | 24.0 | 26.5 | 29.0 |
| 1500 | 27.0 | 30.5 | 33.5 | 37.5 |
| 1800 | 32.5 | 37.0 | 41.0 | 46.0 |
| 2100 | 38.5 | 43.5 | 48.0 | 54.0 |

| Part No. | Mounting | Outboard Bearing | Shaft | Flow @ 1000 RPM | Max. Pressure | NPT Ports Side | NPT Ports Rear | Gear Width | Wt. (lbs.) | Cat. |
|----------|--------------------------------------|------------------|---------------|-----------------|---------------|----------------|----------------|------------|------------|---------|
| H5036171 | 2/4 Bolt | N | 7/8-13 Spline | 18 | 2500 | 1-1/4" | 1-1/4" | 1-3/4 | 45.0 | 620 (Y) |
| H5036201 | 2/4 Bolt | N | 7/8-13 Spline | 20 | 2500 | 1-1/4" | 1-1/4" | 2 | 44.0 | 620 (Y) |
| H5036221 | 2/4 Bolt | N | 7/8-13 Spline | 21.5 | 2500 | 1-1/2" | 1-1/4" | 2-1/4 | 51.28 | 620 (Y) |
| H5036251 | 2/4 Bolt | N | 7/8-13 Spline | 27.8 | 2500 | 1-1/2" | 1-1/4" | 2-1/2 | 50.0 | 620 (Y) |
| Part No. | Description | | | | | | | | Wt. (lbs.) | Cat. |
| H504 | Pump Mounting Bracket for H50 Series | | | | | | | | 7.0 | 631 (N) |

H50 Series Hydraulic Pump Keyed Shaft



- 2 & 4 Bolt SAE B Mount
- Birotational pump

| Gear Width | Flow Chart/Gal. Per Min. | | | |
|------------|--------------------------|------|--------|--------|
| | 1-3/4" | 2" | 2-1/4" | 2-1/2" |
| C.I.R. | 3.86 | 5.15 | 5.58 | 6.0 |
| RPM | | | | |
| 600 | 10.0 | 11.0 | 12.0 | 13.0 |
| 900 | 15.0 | 17.5 | 19.0 | 21.0 |
| 1000 | 18.0 | 20.0 | 21.1 | 27.8 |
| 1200 | 21.0 | 24.0 | 26.5 | 29.0 |
| 1500 | 27.0 | 30.5 | 33.5 | 37.5 |
| 1800 | 32.5 | 37.0 | 41.0 | 46.0 |
| 2100 | 38.5 | 43.5 | 48.0 | 54.0 |

| Part No. | Mounting | Outboard Bearing | Shaft | Flow @ 1000 RPM | Max. Pressure | NPT Ports Side | NPT Ports Rear | Gear Width | Wt. (lbs.) | Cat. |
|----------|--------------------------------------|------------------|-----------------|-----------------|---------------|----------------|----------------|------------|------------|---------|
| H5036203 | 2/4 Bolt | Y | 1" Keyed 1/4 KW | 20 | 2500 | 1-1/4" | 1-1/4" | 2 | 44.0 | 620 (Y) |
| H5036253 | 2/4 Bolt | Y | 1" Keyed 1/4 KW | 27.8 | 2500 | 1-1/2" | 1-1/4" | 2-1/2 | 50.0 | 620 (Y) |
| Part No. | Description | | | | | | | | Wt. (lbs.) | Cat. |
| H504 | Pump Mounting Bracket for H50 Series | | | | | | | | 7.0 | 631 (N) |

Live Floor Hydraulic Pumps



- 4 Bolt SAE B Mount
- Counter clockwise rotation

| Part No. | Mounting | Outboard Bearing | Shaft | Flow @ 1000 RPM | Max. Pressure | NPT Ports Suction | NPT Ports Rear | Gear Width | Wt. (lbs.) | Cat. |
|----------|--------------------------------------|------------------|---------------|-----------------|---------------|-------------------|----------------|------------|------------|---------|
| H5134171 | 4 Bolt | Y | 7/8-13 Spline | 18 | 3000 | 1-1/4" | – | 1-3/4 | 44.0 | 620 (Y) |
| H5134251 | 4 Bolt | Y | 7/8-13 Spline | 24.2 | 3000 | 1-1/2" | – | 2-1/2 | 49.6 | 620 (Y) |
| Part No. | Description | | | | | | | | Wt. (lbs.) | Cat. |
| H504 | Pump Mounting Bracket for H50 Series | | | | | | | | 7.0 | 631 (N) |

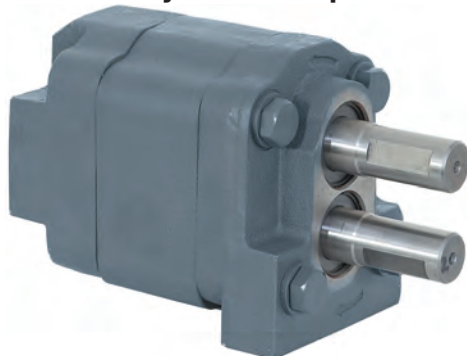
Live Floor Hydraulic Pumps



- 4 Bolt SAE B Mount
- Counter clockwise rotation
- 1.00" relief port on rear cover

| Part No. | Mounting | Outboard Bearing | Shaft | Flow @ 1000 RPM | Max. Pressure | NPT Ports Suction | NPT Ports Rear | Gear Width | Wt. (lbs.) | Cat. |
|----------|--------------------------------------|------------------|---------------|-----------------|---------------|-------------------|----------------|------------|------------|---------|
| H6134171 | 4 Bolt | Y | 7/8-13 Spline | 18 | 3000 | 1-1/4" | 1" | 1-3/4 | 51.0 | 620 (Y) |
| H6134251 | 4 Bolt | Y | 7/8-13 Spline | 24.2 | 3000 | 1-1/2" | 1" | 2-1/2 | 49.6 | 620 (Y) |
| Part No. | Description | | | | | | | | Wt. (lbs.) | Cat. |
| H504 | Pump Mounting Bracket for H50 Series | | | | | | | | 7.0 | 631 (N) |

Dual Shaft Hydraulic Pump



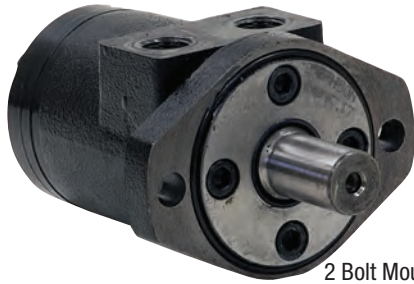
- Max. operating pressure 2500 PSI continuous duty
- 1800 Max. RPM
- Birotational pump
- Excellent for refuse applications

| Gear Width | 2" | 2-1/2" |
|------------|------|--------|
| C.I.R. | 5.15 | 6.43 |
| RPM | | |
| 900 | 17.5 | 21.0 |
| 1000 | 22.3 | 27.8 |
| 1200 | 24.0 | 29.0 |
| 1500 | 30.5 | 37.5 |
| 1800 | 37.0 | 46.0 |

| Part No. | Description | Pressure Port | Suction Port | Wt. (lbs.) | Cat. |
|----------|-------------|---------------------|--------------|------------|---------|
| HDS36205 | 2" Gear | 1-1/16" Str. Thread | 1-1/2" NPT | 47.00 | 620 (Y) |
| HDS36255 | 2-1/2" Gear | 1-1/16" Str. Thread | 1-1/2" NPT | 49.75 | 620 (Y) |

Hydraulic Motors

Hydraulic Motors



2 Bolt Mount Shown

Buyers Series motors are economical, efficient, small, compact, and powerful, designed for medium duty applications. These motors have the industry proven spool valve design combined with state-of-the-art gerotors. In addition, a wide variety of mounting flanges with a 1" diameter straight shaft, woodruff keyway, and 1/2" NPT port provides design flexibility. Direction of shaft rotation and shaft speed can be controlled easily and smoothly throughout the speed range of the motor, and equipment can be driven direct eliminating costly mechanical components. **Other motors are available. Contact our Hydraulics Department with your requirements.**

- 2P = 2 Bolt mount/NPT threads
- 4P = 4 Bolt mount/NPT threads

| BUYERS | DISPL. | CHAR-LYNN ^{®1} | DISPL. | TRW ROSS ¹ | DISPL. | PRINCE ¹ | DISPL. | ORBMARK ^{®1} | DISPL. | WHITE ^{®1} | DISPL. | Wt. (lbs.) | Cat. |
|--------|--------|-------------------------|--------|-----------------------|--------|---------------------|--------|-----------------------|--------|---------------------|--------|------------|---------|
| CM002P | 2.8 | 101-1025 | 2.8 | MG-03-12-10 | 3.0 | ADM502RP | 3.00 | HD104W2FSWP | 3.0 | RS-03-0301 | 3.0 | 8.1 | 621 (N) |
| CM004P | 2.8 | 101-1001 | 2.8 | MG-03-13-10 | 3.0 | ADM504RP | 3.00 | HD104W4FSWP | 3.0 | RS-03-0101 | 3.0 | 8.0 | 621 (N) |
| CM012P | 4.5 | 101-1026 | 4.5 | MG-05-12-10 | 5.0 | ADM752RP | 4.67 | HD106W2FSWP | 4.5 | RS-04-0301 | 4.5 | 8.9 | 621 (N) |
| CM014P | 4.5 | 101-1002 | 4.5 | MG-05-13-10 | 5.0 | ADM754RP | 4.67 | HD106W4FSWP | 4.5 | RS-05-0101 | 5.45 | 8.9 | 621 (N) |
| CM032P | 7.3 | 101-1706 | 7.3 | MG-06-12-10 | – | ADM1002RP | 6.07 | HD108W2FSWP | 6.2 | RS-06-0301 | 6.4 | 9.9 | 621 (N) |
| CM034P | 7.3 | 101-1755 | 7.3 | MG-06-13-10 | 6.0 | ADM1004RP | 6.07 | HD108W4FSWP | 6.2 | RS-06-0101 | 6.4 | 9.9 | 621 (N) |
| CM042P | 9.7 | 101-1028 | 9.7 | – | – | ADM1502RP | 9.34 | HD114W2FSWP | 10.3 | RS-10-0301 | 10.0 | 10.4 | 621 (N) |
| CM044P | 9.7 | 101-1004 | 9.7 | – | – | ADM1504RP | 9.34 | HD114W4FSWP | 10.3 | RS-10-0101 | 10.0 | 10.4 | 621 (N) |
| CM052P | 11.3 | 101-1029 | 11.3 | MG-12-12-10 | 12.0 | ADM2002RP | 12.15 | HD114W2FSWP | 10.3 | RS-10-0301 | 10.0 | 10.9 | 621 (N) |
| CM054P | 11.3 | 101-1005 | 11.3 | MG-12-13-10 | 12.0 | ADM2004RP | 12.15 | HD114W4FSWP | 10.3 | RS-10-0101 | 10.0 | 10.9 | 621 (N) |
| CM062P | 14.1 | 101-1030 | 14.1 | MG-14-12-10 | 12.0 | ADM2502RP | 15.25 | HD120W2FSWP | 14.9 | RS-14-0301 | 14.6 | 11.56 | 621 (N) |
| CM072P | 17.9 | 101-1031 | 17.9 | MG-18-12-10 | – | ADM3002RP | 17.90 | HD124W2FSWP | 17.9 | RS-18-0301 | 18.0 | 12.56 | 621 (N) |
| CM074P | 17.9 | 101-1007 | 17.9 | MG-18-13-10 | 18.0 | ADM3004RP | 17.90 | HD124W4FSWP | 17.9 | RS-18-0301 | 18.0 | 12.56 | 621 (N) |
| CM082P | 22.6 | 101-1032 | 22.6 | MG-24-12-10 | – | ADM4002RP | 24.40 | HD132W2FSWP | 23.8 | RS-24-0301 | 24.0 | 14.87 | 621 (N) |
| CM084P | 22.6 | 101-1008 | 22.6 | MG-24-13-10 | 24.0 | ADM4004RP | 24.40 | HD132W4FSWP | 23.8 | RS-24-0101 | 24.0 | 14.87 | 621 (N) |
| CM092P | 24.9 | – | – | – | – | – | – | – | – | – | – | 21.2 | 621 (N) |

| | CM002P CM004P | CM012P CM014P | CM032P CM034P | CM042P CM044P | CM052P CM054P | CM062P CM064P | CM072P CM074P | CM082P CM084P |
|--|------------------|------------------|------------------|------------------|------------------|------------------|------------------|------------------|
| Displ. cm ³ /r [in ³ /r] | 46 [2.8] | 74 [4.5] | 97 [5.9] | 159 [9.7] | 185 [11.3] | 231 [14.1] | 293 [17.9] | 370 [22.6] |
| Max Speed (RPM) @ Continuous Flow | 969 | 760 | 585 | 353 | 304 | 243 | 192 | 152 |
| FLOW LPM [GPM] | Continuous | 45 [12] | 57 [15] | 57 [15] | 57 [15] | 57 [15] | 57 [15] | 57 [15] |
| | Intermittent | 53 [14] | 68 [18] | 68 [18] | 76 [20] | 76 [20] | 76 [20] | 76 [20] |
| Torque LPM [lb-in] | Continuous | 73 [650] | 118 [1044] | 155 [1368] | 233 [2059] | 265 [2343] | 302 [2669] | 351 [3110] |
| | Intermittent** | 99 [876] | 158 [1401] | 207 [1829] | 319 [2824] | 356 [3151] | 415 [3671] | 466 [4121] |
| Min. Starting Torque Nm [lb-in] | @ Cont. Pressure | 59 [520] | 95 [840] | 124 [1100] | 186 [1650] | 211 [1870] | 238 [2110] | 282 [2500] |
| | @ Int. Pressure | 81 [720] | 130 [1150] | 171 [1510] | 262 [2320] | 293 [2590] | 339 [3000] | 388 [3430] |
| Pressure Δ Bar [Δ PSI] | Continuous* | 124 [1800] | 124 [1800] | 124 [1800] | 114 [1650] | 110 [1600] | 100 [1450] | 93 [1350] |
| | Intermittent*** | 165 [2400] | 165 [2400] | 165 [2400] | 155 [2250] | 148 [2150] | 138 [2000] | 124 [1800] |

Maximum Case Pressure, without Case Drain is 103 Bar [1500 PSI]

* Maximum intermittent pressure at motor inlet port of 172 Bar [2500 PSI] without regard to A Bar [A PSI] and/or back pressure ratings or combination thereof.

** A simultaneous maximum torque and maximum speed NOT recommended.

6B Splined or Tapered shafts are recommended whenever operating above 282 Nm [2500 lb-in] of torque, especially for those applications subject to frequent reversals.

Δ Bar [Δ PSI] – True pressure difference between inlet port and outlet port.

Continuous Rating – Motor may be run continuously at these ratings.

Intermittent Operation – 10% of every minute.

Recommended Fluids – Premium quality, anti-wear type hydraulic oil. Minimum oil viscosity (at operating temperature) should be the highest of the following:

$$100 \text{ SUS or } \frac{300 \times \text{Bar}}{\text{RPM}} = \text{SUS} \quad \left[\frac{20 \times \text{PSI}}{\text{RPM}} = \text{SUS} \right]$$

Recommended Maximum System Operating Temperature is 82° C [180° F]

Recommended Filtration – per ISO Cleanliness Code, level 18/13

To assure best motor life, run motor for approximately one hour at 30% of rated pressure before application to full load. Be sure motor is filled with fluid prior to any load applications.

¹Buyers Products is not authorized by nor affiliated with the manufacturer of Char-Lynn®, TRW Ross, Prince Hydraulics, Orbmark, or White Drive Products® products.

Hydraulic Motors



4 Bolt Mount Shown

Char-Lynn® H Series motors are economical, efficient, small, compact, and powerful, designed for medium duty applications. These motors have the industry proven spool valve design combined with state-of-the-art gerotors. In addition, a wide variety of mounting flanges with a 1" diameter straight shaft, woodruff keyway, and 1/2" NPT port provides design flexibility. Direction of shaft rotation and shaft speed can be controlled easily and smoothly throughout the speed range of the motor, and equipment can be driven direct eliminating costly mechanical components. **Other motors are available. Contact our Hydraulics Department with your requirements.**

- 2P = 2 Bolt mount/NPT threads
- 4P = 4 Bolt mount/NPT threads

| BUYERS | DISPL. | CHAR-LYNN®¹ | DISPL. | TRW ROSS¹ | DISPL. | PRINCE¹ | DISPL. | ORBMARK®¹ | DISPL. | WHITE®¹ | DISPL. | Wt. (lbs.) | Cat. |
|--------|--------|-------------|--------|-------------|--------|-----------|--------|-------------|--------|------------|--------|------------|---------|
| HM002P | 2.8 | 101-1025 | 2.8 | MG-03-12-10 | 3.0 | ADM502RP | 3.00 | HD104W2FSWP | 3.0 | RS-03-0301 | 3.0 | 8.1 | 621 (N) |
| HM004P | 2.8 | 101-1001 | 2.8 | MG-03-13-10 | 3.0 | ADM504RP | 3.00 | HD104W4FSWP | 3.0 | RS-03-0101 | 3.0 | 8.0 | 621 (N) |
| HM012P | 4.5 | 101-1026 | 4.5 | MG-05-12-10 | 5.0 | ADM752RP | 4.67 | HD106W2FSWP | 4.5 | RS-04-0301 | 4.5 | 8.9 | 621 (N) |
| HM014P | 4.5 | 101-1002 | 4.5 | MG-05-13-10 | 5.0 | ADM754RP | 4.67 | HD106W4FSWP | 4.5 | RS-05-0101 | 5.45 | 8.9 | 621 (N) |
| HM032P | 7.3 | 101-1706 | 7.3 | MG-06-12-10 | – | ADM1002RP | 6.07 | HD108W2FSWP | 6.2 | RS-06-0301 | 6.4 | 9.9 | 621 (N) |
| HM034P | 7.3 | 101-1755 | 7.3 | MG-06-13-10 | 6.0 | ADM1004RP | 6.07 | HD108W4FSWP | 6.2 | RS-06-0101 | 6.4 | 9.9 | 621 (N) |
| HM042P | 9.7 | 101-1028 | 9.7 | – | – | ADM1502RP | 9.34 | HD114W2FSWP | 10.3 | RS-10-0301 | 10.0 | 10.4 | 621 (N) |
| HM044P | 9.7 | 101-1004 | 9.7 | – | – | ADM1504RP | 9.34 | HD114W4FSWP | 10.3 | RS-10-0101 | 10.0 | 10.4 | 621 (N) |
| HM052P | 11.3 | 101-1029 | 11.3 | MG-12-12-10 | 12.0 | ADM2002RP | 12.15 | HD114W2FSWP | 10.3 | RS-10-0301 | 10.0 | 10.9 | 621 (N) |
| HM054P | 11.3 | 101-1005 | 11.3 | MG-12-13-10 | 12.0 | ADM2004RP | 12.15 | HD114W4FSWP | 10.3 | RS-10-0101 | 10.0 | 10.9 | 621 (N) |
| HM062P | 14.1 | 101-1030 | 14.1 | MG-14-12-10 | 12.0 | ADM2502RP | 15.25 | HD120W2FSWP | 14.9 | RS-14-0301 | 14.6 | 11.56 | 621 (N) |
| HM064P | 14.1 | 101-1006 | 14.1 | MG-14-13-10 | 14.0 | ADM2504RP | 15.25 | HD120W4FSWP | 14.9 | RS-14-0101 | 14.6 | 11.56 | 621 (N) |
| HM072P | 17.9 | 101-1031 | 17.9 | MG-18-12-10 | – | ADM3002RP | 17.90 | HD124W2FSWP | 17.9 | RS-18-0301 | 18.0 | 12.56 | 621 (N) |
| HM074P | 17.9 | 101-1007 | 17.9 | MG-18-13-10 | 18.0 | ADM3004RP | 17.90 | HD124W4FSWP | 17.9 | RS-18-0301 | 18.0 | 12.56 | 621 (N) |
| HM082P | 22.6 | 101-1032 | 22.6 | MG-24-12-10 | – | ADM4002RP | 24.40 | HD132W2FSWP | 23.8 | RS-24-0301 | 24.0 | 14.87 | 621 (N) |
| HM084P | 22.6 | 101-1008 | 22.6 | MG-24-13-10 | 24.0 | ADM4004RP | 24.40 | HD132W4FSWP | 23.8 | RS-24-0101 | 24.0 | 14.87 | 621 (N) |

| | | HM002P HM004P | HM012P HM014P | HM032P HM034P | HM042P HM044P | HM052P HM054P | HM062P HM064P | HM072P HM074P | HM082P HM084P |
|--|--------------------|------------------|------------------|------------------|------------------|------------------|------------------|------------------|------------------|
| Displ. cm ³ /r [in ³ /r] | | 46 [2.8] | 74 [4.5] | 97 [5.9] | 159 [9.7] | 185 [11.3] | 231 [14.1] | 293 [17.9] | 370 [22.6] |
| Max Speed (RPM) @ Continuous Flow | | 969 | 760 | 585 | 353 | 304 | 243 | 192 | 152 |
| FLOW LPM [GPM] | Continuous | 45 [12] | 57 [15] | 57 [15] | 57 [15] | 57 [15] | 57 [15] | 57 [15] | 57 [15] |
| | Intermittent | 53 [14] | 68 [18] | 68 [18] | 76 [20] | 76 [20] | 76 [20] | 76 [20] | 76 [20] |
| Torque LPM [lb-in] | Continuous | 73 [650] | 118 [1044] | 155 [1368] | 233 [2059] | 265 [2343] | 302 [2669] | 351 [3110] | 407 [3604] |
| | Intermittent** | 99 [876] | 158 [1401] | 207 [1829] | 319 [2824] | 356 [3151] | 415 [3671] | 466 [4121] | 484 [4283] |
| Min. Starting Torque Nm [lb-in] | @ Cont. Pressure | 59 [520] | 95 [840] | 124 [1100] | 186 [1650] | 211 [1870] | 238 [2110] | 282 [2500] | 330 [2920] |
| | @ Int. Pressure | 81 [720] | 130 [1150] | 171 [1510] | 262 [2320] | 293 [2590] | 339 [3000] | 388 [3430] | 408 [3610] |
| Pressure Δ Bar [Δ PSI] | Continuous* | 124 [1800] | 124 [1800] | 124 [1800] | 114 [1650] | 110 [1600] | 100 [1450] | 93 [1350] | 86 [1250] |
| | Intermittent**(**) | 165 [2400] | 165 [2400] | 165 [2400] | 155 [2250] | 148 [2150] | 138 [2000] | 124 [1800] | 103 [1500] |

Maximum Case Pressure, without Case Drain is 103 Bar [1500 PSI]

* Maximum intermittent pressure at motor inlet port of 172 Bar [2500 PSI] without regard to A Bar [A PSI] and/or back pressure ratings or combination thereof.

** A simultaneous maximum torque and maximum speed NOT recommended.

6B Splined or Tapered shafts are recommended whenever operating above 282 Nm [2500 lb-in] of torque, especially for those applications subject to frequent reversals.

Δ Bar [Δ PSI] – True pressure difference between inlet port and outlet port.

Continuous Rating – Motor may be run continuously at these ratings.

Intermittent Operation – 10% of every minute.

Recommended Fluids – Premium quality, anti-wear type hydraulic oil. Minimum oil viscosity (at operating temperature) should be the highest of the following:

$$100 \text{ SUS or } \frac{300 \times \text{Bar}}{\text{RPM}} = \text{SUS} \left[\frac{20 \times \text{PSI}}{\text{RPM}} = \text{SUS} \right]$$

Recommended Maximum System Operating Temperature is 82° C [180° F]

Recommended Filtration – per ISO Cleanliness Code, level 18/13

To assure best motor life, run motor for approximately one hour at 30% of rated pressure before application to full load. Be sure motor is filled with fluid prior to any load applications.

Buyers Products is not authorized by nor affiliated with the manufacturer of Char-Lynn®, TRW Ross, Prince Hydraulics, Orbmark, or White Drive Products® products.

Directional Control Valves

Directional Control Valves

- Rated Working Pressure 2500 PSI (172 bar)
- Max. Shock and Surge Pressure 4000 PSI (276 bar)
- Rated Flow Capacity 30 GPM (114 l/m)
- Mounting, Any Position 3 Mounting Holes for 3/8" Bolts
- Weight 1 Spool: 13 lbs.; 2 Spool: 21 lbs.; 3 Spool: 33 lbs.
- Integral load holding check valves (prevents reverse flow through valve when shifting)
- Integral differential poppet type relief valve, adjustable (set @ 2000 PSI, 10 GPM)
- Balanced, select-fit spools (provide minimum leakage, smooth operation)

- External spool seals (permit easy replacement, reduced maintenance cost)
- In/Out 1-1/16" #12 SAE; Work Ports 1-1/16" #12 SAE or 3/4"-16 #8 SAE

Optional Features Available

- Power Beyond (permits use of neutral flow at system pressure); also permits field conversion from closed center to open center (tandem) operation
- Air Operated - AS1
- Cable Operated: Cable Connection Kit B302890
- Other Valves available. Contact customer service with your requirements.

VH1 Handles Sold Separately

1 Spool Directional Control Valves



| Part No. | # Spools | Spool Action | Power Beyond | Port Size and Type | Wt. (lbs.) | Cat. |
|------------|----------|-----------------------|--------------|---------------------------------------|------------|---------|
| HV13AGOOD0 | 1 | 3 Way - Spring Center | None | All - 1-1/16 #12 SAE | 13.08 | 624 (N) |
| HV13AG2ED0 | 1 | 3 Way - Spring Center | Yes | All - 1-1/16 #12 SAE | 14.0 | 624 (N) |
| HV13PGOOD0 | 1 | 3 Way - Detent Out | None | All - 1-1/16 #12 SAE | 15.0 | 624 (N) |
| HV11AGOOD0 | 1 | 4 Way - Spring Center | None | All - 1-1/16 #12 SAE | 14.0 | 624 (N) |
| HV11AG00F0 | 1 | 4 Way - Spring Center | None | In/Out - 3/4 NPTF Cyl. 1-1/16 SAE #12 | 12.92 | 624 (N) |
| HV11BG00D0 | 1 | 4 Way - Center Detent | None | All - 1-1/16 #12 SAE | 13.0 | 624 (N) |
| HV11AG2ED0 | 1 | 4 Way - Spring Center | Yes | All - 1-1/16 #12 SAE | 14.0 | 624 (N) |

2 Spool Directional Control Valves



| Part No. | # Spools | Spool Action | Power Beyond | Port Size and Type | Wt. (lbs.) | Cat. |
|--------------|----------|--|--------------|---|------------|---------|
| HV233AAG2ED0 | 2 | 3 Way - Spring Center, 3 Way - Spring Center | Yes | All - 1-1/16 #12 SAE | 23.5 | 624 (N) |
| HV211AAG00D0 | 2 | 4 Way - Spring Center, 4 Way - Spring Center | None | All - 1-1/16 #12 SAE | 23.5 | 624 (N) |
| HV211AAG2ED0 | 2 | 4 Way - Spring Center, 4 Way - Spring Center | Yes | All - 1-1/16 #12 SAE | 22.0 | 624 (N) |
| HV211AAG3EB0 | 2 | 4 Way - Spring Center, 4 Way - Spring Center | Conv. | All - 1-1/16 #12 SAE | 21.91 | 624 (N) |
| HV231AAG3ED0 | 2 | 3 Way - Spring Center, 4 Way - Spring Center | Conv. | All - 1-1/16 #12 SAE | 22.75 | 624 (N) |
| HV231NAG2ECO | 2 | 3 Way - Detent In, 4 Way - Spring Center | Yes | In/Out - 1-1/16 #12 SAE, Work - 3/4-16 #8 SAE | 23.0 | 624 (N) |

3 Spool Directional Control Valves



| Part No. | # Spools | Spool Action | Power Beyond | Port Size and Type | Wt. (lbs.) | Cat. |
|----------------|----------|---|--------------|---|------------|---------|
| HV3331NAAG2ECO | 3 | 3 Way - Detent In, 3 Way - Spring Center, 4 Way | Yes | In/Out - 1-1/16 #12 SAE, Work - 3/4-16 #8 SAE | 29.8 | 624 (N) |
| HV3311NAAG2ECO | 3 | 3 Way - Detent In, 4 Way - Spring Center, 4 Way | Yes | In/Out - 1-1/16 #12 SAE, Work - 3/4-16 #8 SAE | 33.0 | 624 (N) |
| HV3111AAAG00D0 | 3 | 4 Way - Spring Center, 4 Way - Spring Center, 4 Way | None | All - 1-1/16 #12 SAE | 33.0 | 624 (N) |
| HV3111AAAG2ED0 | 3 | 4 Way - Spring Center, 4 Way - Spring Center, 4 Way | Yes | All - 1-1/16 #12 SAE | 33.0 | 624 (N) |

Accessories for Control Valves



VH1



AS1



B302890

| Part No. | Description | Wt. (lbs.) | Cat. |
|----------|-------------------------------------|------------|---------|
| VH1 | Handle and Linkage Assembly | 0.33 | 633 (N) |
| B302890 | Remote Valve Control Connection Kit | 0.75 | 240 (N) |
| AS1 | Single Spool Air Cylinder | 1.0 | 646 (N) |

Text Definitions

- 3 Way = Power Up, Gravity Down
- 4 Way = Power Up, Power Down
- 3 Position = Up/Neutral/Down
- Spring Centered = Spool returns to neutral when released
- Detent = Valve Spool stays in position until changed
- Air Cylinder (Converts valve from manual to air operated)
- Cable Connection Kit (Converts valve from manual to cable operated)

21 GPM Valves



- All valves rated to 21 GPM
- Port sizes: IN/OUT - 3/4" straight thread 11/16-12
Work Ports - 5/8" straight thread (7/8-12)
- Valve rated to 4,300 PSI with higher pressure main relief (non-standard)
- Main relief 1,300-3,000 PSI; set at 2,150 PSI
- Port relief angle 1,900-4,300 PSI; set at 1,800 PSI
- Port relief dump 400-1,900 PSI; set at 600 PSI
- All valves have cylinder spools
- Other configurations available

| Part No. | Description | GPM | Wt. (lbs.) | Cat. |
|---------------|---|-----|------------|---------|
| 203 | 3 way, w/o power beyond | 21 | 17.42 | 624 (N) |
| 203D42PRPB | 3 way Det. in, 4 way 2 port reliefs, power beyond | 21 | 24.06 | 624 (N) |
| 203D4PR42PRPB | 3 way Det. in, 4 way port relief, 4 way 2 port relief, power beyond | 21 | 32.00 | 624 (N) |
| 203PB | 3 way, power beyond | 21 | 17.38 | 624 (N) |
| 204 | 4 way, w/o power beyond | 21 | 17.19 | 624 (N) |
| 204PB | 4 way, power beyond | 21 | 17.38 | 624 (N) |
| 204PR | 4 way, one port relief, w/o power beyond | 21 | 17.77 | 624 (N) |
| 204PRPB | 4 way, one port relief, power beyond | 21 | 17.73 | 624 (N) |
| B303035 | Valve Connection Kit | 21 | 0.75 | 624 (N) |

40 GPM Valves



- All valves rated to 40 GPM
- All ports are #16 SAE (1-5/16"-12 UNF-2B) straight thread
- Valve rated to 4,300 PSI w/higher pressure main relief (non-standard)
- Main relief 1,300-3,000 PSI; set at 2,150 PSI
- Port relief angle 1,900-4,300 PSI; set at 1,800 PSI
- Port relief dump 400-1,900 PSI; set at 600 PSI
- All valves have cylinder spools unless specified as motor.
- Other configurations available

| Part No. | Description | GPM | Wt. (lbs.) | Cat. |
|---------------|---|-----|------------|---------|
| 403 | 3 way | 40 | 31.5 | 624 (N) |
| 403D44PB | 3 way Det. in, 4 way, 4 way, power beyond | 40 | 44.5 | 624 (N) |
| 403D4PR42PRPB | 3 way Det. in, 4 way port relief, 4 way 2 port relief, power beyond | 40 | 57.1 | 624 (N) |
| 403PB | 3 way, power beyond | 40 | 31.2 | 624 (N) |
| 404 | 4 way | 40 | 31.1 | 624 (N) |
| 404PB | 4 way, power beyond | 40 | 30.4 | 624 (N) |
| 404PR | 4 way, one port relief | 40 | 31.6 | 624 (N) |
| 404PRPB | 4 way, one port relief, power beyond | 40 | 31.1 | 624 (N) |
| B303036 | Valve Connection Kit | 40 | 0.75 | 624 (N) |

Hydraulic Valve



- 3 Pos., 3-Way w/air shift 1" NPT inlet work ports, 1-1/4 NPT return to tank
- Can also be shifted with handle (Part No. HV25H)
- 35 gal. nominal flow rating
- Relief valve preset @ 2,000 PSI (max allowable)
- Compares to Gresen* Valve #AG25P3HP
- HV25 handle and linkage kit sold separately

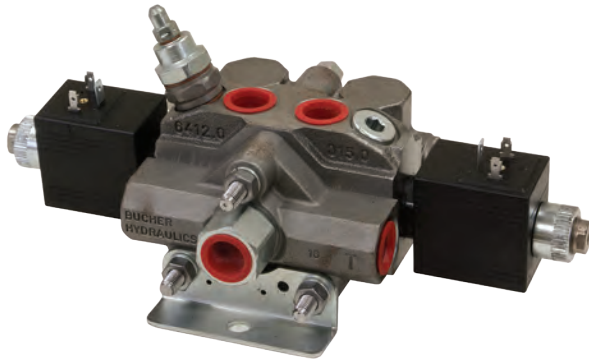
| Part No. | Description | Wt. (lbs.) | Cat. |
|----------|---------------------------------------|------------|---------|
| HV25 | Hydraulic Valve (handle not included) | 22.0 | 633 (N) |
| HV25H | Handle for HV25 | 1.10 | 633 (N) |

- **Text Definitions**
- Power Beyond (permits use of neutral flow at system pressure); also permits field conversion from closed center to open center (tandem) operation
- 3 Way = Power Up, Gravity Down
- 4 Way = Power Up, Power Down
- 3 Position = Spool / Handle has 3 positions: Up/Neutral/Down
- Spring Centered = Spool returns to neutral when operator releases
- Detent = Valve Spool stays in position until changed by operator

* Buyers Products is not authorized by nor affiliated with the manufacturer of Gresen products.

Electric Sectional Valves & Gauges

Electrically Operated Sectional Valves



- All valves are: 12 VOLT, 2.4 Amps per coil
- Rated to 11 GPM Max Flow (NON PROPORTIONAL)
- All ports are #8 SAE Straight thread
- Valve rated to 4300 PSI with higher pressure main relief (non standard)
- Main relief 1300-3000 PSI; Set at 2150 PSI
- Port relief angle 1900-4300 PSI; Set at 2150 PSI
- Port relief dump 400-1900 PSI; Set at 600 PSI
- All valves have cylinder spools unless specified as motor.

ELECTRICALLY OPERATED SECTIONAL VALVES

- 3 WAY = power up, gravity down
- 4 WAY = power up, power down
- PB = power beyond
- 1 PR = one port relief
- 2 PR = two port relief

| Part No. | Description | Wt. (lbs.) | Cat. |
|-----------------|---|------------|---------|
| HVE3 | 3 Way | 10.74 | 624 (N) |
| HVE334PB | 3 Way, 3 Way, 4 Way, PB | 26.00 | 624 (N) |
| HVE33PB | 3 Way, 3 Way, PB | 16.75 | 624 (N) |
| HVE342PRPB | 3 Way, 4 Way w/2 PR, PB | 16.75 | 624 (N) |
| HVE344PB | 3 Way, 4 Way, 4 Way, PB | 10.78 | 624 (N) |
| HVE34M | 3 Way, 4 Way Motor Spool | 15.50 | 624 (N) |
| HVE34M3PB | 3 Way, 4 Way Motor, 3 Way, PB | 26.00 | 624 (N) |
| HVE34PR3PR3PRPB | 3 Way, 4 Way w/2 PR, 3 Way w/ PR, 3 Way w/ PR, PB | 35.25 | 624 (N) |
| HVE342PR4PRPB | 3 Way, 4 Way w/2 PR, 4 Way w/ PR, PB | 16.00 | 624 (N) |
| HVE3PB | 3 Way, PB | 10.89 | 624 (N) |
| HVE4 | 4 Way | 10.85 | 624 (N) |
| HVE42PRPB | 4 Way w/ 2 PR, PB | 11.02 | 624 (N) |
| HVE44 | 4 Way, 4 Way | 16.60 | 624 (N) |
| HVE44PB | 4 Way, 4 Way, PB | 16.78 | 624 (N) |
| HVE4PB | 4 Way, PB | 11.00 | 624 (N) |
| HVE4PR | 4 Way w/ 1 PR | 11.17 | 624 (N) |
| HVE4PRPB | 4 Way w/ 1 PR, PB | 10.85 | 624 (N) |

Switch Panel



- Includes 2 momentary action rockers and 1 detent rocker
- Hoist safety neutral lock out feature
- Includes body up light

| Part No. | Description | Wt. (lbs.) | Cat. |
|----------|--|------------|---------|
| HVESB | Switch Panel for Electrically Operated Sectional Valve | 0.98 | 633 (N) |

9' Harness



- Designed for Electrically Operated Sectional Valve
- Female push-on connectors for switch end
- Main power harness
- 3 conductors

| Part No. | Description | Wt. (lbs.) | Cat. |
|----------|--|------------|---------|
| HVEH9 | 9' Harness for Electrically Operated Sectional Valve | 0.83 | 633 (N) |

15' Harness



- Designed for Electrically Operated Sectional Valve
- DIN connectors installed for valve end

| Part No. | Description | Wt. (lbs.) | Cat. |
|----------|---|------------|---------|
| HVEH15 | 15' Harness for Electrically Operated Sectional Valve | 3.9 | 639 (N) |

Silicone Filled Pressure Gauge



- 2-1/2" diameter stainless steel case & bezel
- Built in relief valve
- Dual scale; Accuracy $\pm 1.6\%$ full scale
- Deflection center 40% of scale, otherwise 2% FSD
- Standard stem is 1/4 NPT

| Part No. | Description | Wt. (lbs.) | Cat. |
|----------------|-------------------------|------------|---------|
| HPGS100 | Stem Mount 0-100 PSI | 0.50 | 630 (N) |
| HPGS160 | Stem Mount 0-160 PSI | 0.50 | 630 (N) |
| HPGS200 | Stem Mount 0-200 PSI | 0.50 | 630 (N) |
| HPGS300 | Stem Mount 0-300 PSI | 0.50 | 630 (N) |
| HPGS500 | Stem Mount 0-500 PSI | 0.50 | 630 (N) |
| HPGS1 | Stem Mount 0-1000 PSI | 0.50 | 630 (N) |
| HPGS3 | Stem Mount 0-3000 PSI | 0.50 | 630 (N) |
| HPGS4 | Stem Mount 0-4000 PSI | 0.50 | 630 (N) |
| HPGS5 | Stem Mount 0-5000 PSI | 0.50 | 630 (N) |
| HPGS10 | Stem Mount 0-10,000 PSI | 0.50 | 630 (N) |

Silicone Filled Pressure Gauge



- 2-1/2" diameter stainless steel case & bezel
- Built in relief valve
- Dual scale; Accuracy $\pm 1.6\%$ full scale
- Deflection center 40% of scale, otherwise 2% FSD
- Standard stem is 1/4 NPT

| Part No. | Description | Wt. (lbs.) | Cat. |
|--------------|-------------------------------|------------|---------|
| HPGP3 | Panel Flange Mount 0-3000 PSI | 0.65 | 652 (Y) |
| HPGP5 | Panel Flange Mount 0-5000 PSI | 0.65 | 652 (Y) |

Silicone Filled Pressure Gauge



- 2-1/2" diameter stainless steel case & bezel
- Built in relief valve
- Dual scale; Accuracy $\pm 1.6\%$ full scale
- Deflection center 40% of scale, otherwise 2% FSD
- Standard stem is 1/4 NPT

| Part No. | Description | Wt. (lbs.) | Cat. |
|----------------|-----------------------------|------------|---------|
| HPGC100 | Panel Clamp Mount 0-100 PSI | 0.66 | 651 (Y) |
| HPGC160 | Panel Clamp Mount 0-160 PSI | 0.66 | 651 (Y) |

Silicone Filled Pressure Gauge



- 2-1/2" diameter stainless steel case & bezel
- Built in relief valve
- Dual scale; Accuracy $\pm 1.6\%$ full scale
- Deflection center 40% of scale, otherwise 2% FSD
- Standard stem is 1/4 NPT

| Part No. | Description | Wt. (lbs.) | Cat. |
|-----------------|-----------------------------|------------|---------|
| HPGCB160 | Center Back Mount 0-160 PSI | 0.55 | 630 (N) |
| HPGCB300 | Center Back Mount 0-300 PSI | 0.55 | 630 (N) |

Flow Control Valves, Flow Divider & Selector Valves

Flow Control Valve



- Available in NPT and SAE
- Provide precise control of flow and shutoff in one direction, and automatically permit full flow in the opposite direction.
- Cracking pressure, for return check poppet: 5 PSI (0.4 Bar)
- Poppet material: Brass Valves (B Suffix): Soft Seal Steel Valves (S Suffix): Solid metal poppet
- Maximum operating pressure:
Brass: Models F, inline only: 2000 PSI (140 Bar)
Steel: 400-800 sizes: 5000 PSI; 1200 sizes: 3000 PSI

| Part No. | Description | Wt. (lbs.) | Cat. |
|-----------------|------------------------------------|------------|---------|
| F400B | 1/4" Brass Flow Control Valve, NPT | 0.48 | 624 (N) |
| F400S | 1/4" Steel Flow Control Valve, NPT | 0.48 | 624 (N) |
| F600S | 3/8" Steel Flow Control Valve, NPT | 0.79 | 624 (N) |
| F800S | 1/2" Steel Flow Control Valve, NPT | 0.69 | 624 (N) |
| F1200S | 3/4" Steel Flow Control Valve, NPT | 1.10 | 624 (N) |
| F400SAE | Steel Flow Control Valve, #4 SAE | 1.90 | 624 (N) |
| F600SAE | Steel Flow Control Valve, #6 SAE | 1.10 | 624 (N) |
| F800SAE | Steel Flow Control Valve, #8 SAE | 2.46 | 624 (N) |
| F1200SAE | Steel Flow Control Valve, #12 SAE | 2.33 | 624 (N) |

Priority Flow Divider Valve



- Priority flow dividers split the oil from a single inlet into two separate flows
- Rated for 3000 PSI max flow
- One is a controlled, adjustable flow which has priority on the oil entering the valve
- The other is a secondary flow based on oil in excess of that demanded by the priority flow
- Both flows may be used simultaneously at different pressures without affecting the priority flow rate
- External adjusting knob controls priority flow rate
- Load may be applied to either port without affecting priority flow rate

| Part No. | Description | Wt. (lbs.) | Cat. |
|---------------|------------------|------------|---------|
| HFD075 | 3/4" NPTF; 20GPM | 4.0 | 633 (N) |
| HFD100 | 1" NPTF; 30GPM | 7.0 | 624 (N) |

Side Ported Adjustable Flow Control Valve



- Once set, it maintains constant speed regardless of load variations. Excess flow is returned to tank or used to power another function. Rated for 3000 PSI MAX
- Priority flow dividers split the oil from a single inlet into two separate flows
- One is a controlled, adjustable flow which has priority on the oil entering the valve
- The other is a secondary flow based on oil in excess of that demanded by the priority flow
- Both flows may be used simultaneously at different pressures without affecting the priority flow rate
- External lockable adjusting knob controls priority flow rate
- Load may be applied to either port without affecting priority flow rate

| Part No. | Description | Wt. (lbs.) | Cat. |
|-------------------|---|------------|---------|
| HFDL075 | Adj. Flow Control Valve w/ 3/4" NPT Ports, 0-30 GPM | 8.0 | 624 (N) |
| HFDL075SAE | Adj. Flow Control Valve w/ #12 SAE Ports, 0-30 GPM | 10.0 | 624 (N) |

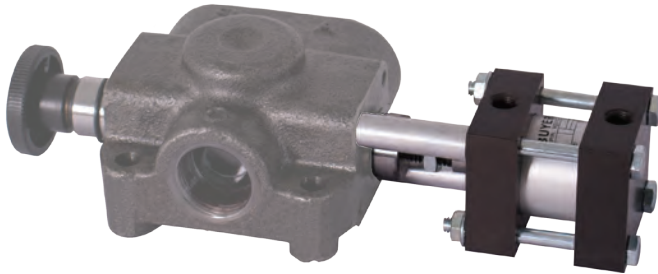
Two Position Press Shift Selector Valve



- Can be shifted under full line pressure
- Selector valves are designed with a hydraulically balanced spool that allows them to be shifted under full line pressure
- System pressure is bled off to a low pressure leg before reaching the seal, resulting in a reduced effort required to shift the spool
- The seal is operated in an unloaded condition
- Rated 3000 PSI max

| Part No. | Description | Wt. (lbs.) | Cat. |
|----------|-------------------|------------|---------|
| HSV050 | 1/2" NPTF, 10 GPM | 7.5 | 624 (N) |
| HSV075 | 3/4" NPTF, 20 GPM | 7.5 | 624 (N) |
| HSV100 | 1" NPTF, 30 GPM | 7.5 | 624 (N) |

Air Cylinder



- Converts HSV100 selector valve from manual operation to air actuated operation
- Mounts to knob end after removal of plastic knob

| Part No. | Description | Wt. (lbs.) | Cat. |
|----------|--------------------------------|------------|---------|
| HSV1C | Double Acting Control Cylinder | 2.0 | 646 (N) |

Electric/Hydraulic Spreader Control w/ GPS (sold separately)



- The SaltDogg® GPS Spreader Control provides proportional spreader operation at industry leading pricing and performance.
- The Garmin® GPS Antenna plugs-in for hassle free installation on any truck and provides exceptional spreader response. (sold separately)
- HV715EP/HV1030EP - 12V programmable LED display controller with detented auger-conveyor/spinner controls, & no GPS feature
- HV715EPG/HV1030EPG - 3 function controller with LED display: Spinner, Auger-Conveyor, Electric Pre-Wet, & GPS feature
- Our simple wire harness uses weather proof connectors for secure, corrosion free connections.
- The proportional valves are housed in a protective weather enclosure for reliable service and deliver 0-7GPM (HV715EPG) or 0-10GPM (HV1030EPG) for the spinner and 0-15GPM (HV715EPG) or 0-30GPM (HV1030EPG) for the auger-conveyor circuits.

| Part No. | Description | GPM | Wt. (lbs.) | Cat. |
|-----------|---|-------|------------|---------|
| HV715EP | Electric Hydraulic Spreader Valve Kit | 7/15 | 30.0 | 902 (N) |
| HV715EPG | Electric Hydraulic Spreader Control Kit | 22 | 31.0 | 902(N) |
| HV1030EP | Electric Hydraulic Spreader Valve Kit | 10/30 | 30.0 | 902 (N) |
| HV1030EPG | Electric Hydraulic Spreader Control Kit | 40 | 31.0 | 902(N) |
| GPS1 | GPS Unit with Converter and Connector | - | 1.0 | 902 (N) |

Central Hydraulic System, Spreader Valves

Central Hydraulic System



- **SPREADER CONTROLS:**
- Ground speed spreader control provides proportional spreader operation.
- Garmin® GPS antenna provides exceptional spreader response & material savings. Controller automatically switches to manual mode if signal is interrupted and back to auto mode when regained.
- Compact, 3-Function spreader controller (Auger-Conveyor, Spinner & Pre-wet).
- LED display, indexed dials, programmable blast (1-30 seconds) and low pressure pre-wet indicator. (15 gal only)
- Color, TFT-LCD touch screen display, programmable blast (1-30 seconds) and low pressure pre-wet indicator (30 gal only)
- **DUMP HOIST & FLOW CONTROLS:**
- 11 GPM, 3-Way plow lift/4-way plow angle with 2 port reliefs/4-Way DA dump hoist with down-port relief and power beyond.
- 30 GPM, 4-way DA dump hoist with down-port relief (30 gal only)
- 30 GPM, adjustable flow divider. (15 gal only)
- Plow switch is detented to provide float in down position. (15 gal only)
- Hoist safety interlock system.
- Proportional pneumatic hoist and plow controls (30 gal only)
- **15 or 30 GALLON RESERVOIR W/VALVE ENCLOSURE**
- 304 Stainless steel construction
- In-tank return line filter, stainless strainer, rust-free breather-filler and shielded sight-temperature gauge.
- Bottom ported valves eliminates excess plumbing.

GARMIN®

| Part No. | Description | Wt. (lbs.) | Cat. |
|----------|---|------------|---------|
| 6381540 | Central Hydraulic System, 15 gal., 4-Function | 179.3 | 638 (N) |
| 6381541 | Central Hydraulic System, 15 gal., 4-Function w/GPS Ground Speed Control | 180 | 638 (N) |
| 6381560 | Central Hydraulic System, 15 gal., 6-Function | 193.3 | 638 (N) |
| 6381561 | Central Hydraulic System, 15 gal., 6-Function w/GPS Ground Speed Control | 194 | 638 (N) |
| 6383060 | Central Hydraulic System, 30 gal., 6-Function, Elec./Air, Controls & Stand | 275 | 638 (N) |
| 6383061 | Central Hydraulic System, 30 gal., 6-Function w/GPS Ground Speed Control, Elec./Air, Controls & Stand | 275 | 638 (N) |

Hydraulic Spreader Valves



- Single flow regulator with built-in on-off control plus system relief and pressure compensated
- Built-in differential style relief valve and on-off valve in a single compact body
- Permits easy installation with min. plumbing
- Detent hand knob for each flow control
- Easy to adjust flow, 11 positive positions
- Aluminum body
- All ports are 3/4" NPT, except 1/2" NPT spinner port
- Relief cartridge std. setting 1500 PSI (105 bar)

| Part No. | Description | GPM | L/Min | PSI | BAR | Wt. (lbs.) | Cat. |
|----------|------------------------|-----|-------|------|-----|------------|---------|
| HV020 | Valve Only | 20 | 76 | 2000 | 140 | 6.09 | 902 (N) |
| HVC020 | Single Valve & Console | 20 | 76 | 2000 | 140 | 19.21 | 902 (N) |

Hydraulic Spreader Valves



HV715

- Dual flow regulator with built-in on-off control plus system relief and pressure compensated
- Built-in differential style relief valve and on-off valve in a single compact body
- Permits easy installation with min. plumbing
- Detent hand knob for each flow control
- Easy to adjust flow, 11 positive positions
- Aluminum body
- All ports are 3/4" NPT, except SAE ported units which are straight thread ORB.
- Relief cartridge std. setting 1500 PSI (105 bar)

| Part No. | Description | GPM | L/Min | PSI | BAR | Wt. (lbs.) | Cat. |
|------------------|-----------------------|-------|--------|------|-----|------------|---------|
| HV715 | Valve Only | 7/15 | 83-1/4 | 2000 | 140 | 7.00 | 902 (N) |
| HVC715 | Valve & Console | 7/15 | 83-1/4 | 2000 | 140 | 20.77 | 902 (N) |
| HV715SAE | Valve Only, SAE Thds. | 7/15 | 83-1/4 | 2000 | 140 | 7.00 | 902 (N) |
| HV1030 | Valve Only | 10/30 | 155 | 2000 | 140 | 7.50 | 902 (N) |
| HVC1030 | Valve & Console | 10/30 | 155 | 2000 | 140 | 21.00 | 902 (N) |
| HV1030SAE | Valve Only, SAE Thds. | 10/30 | 155 | 2000 | 140 | 7.00 | 902 (N) |
| HVC1 | Console Only | — | — | — | — | 13.12 | 902 (N) |
| ACC01 | Acc. Plate | — | — | — | — | 0.50 | 902 (N) |

Load Sensing Spreader Valve



HV515LS

- Internal load sensing checks to communicate pressure signals to load sensing pump
- Honed and matched hardened steel working parts for long life
- Rugged dirt tolerant and reliable
- Adjustable and detented hand knob with min. & max. stops. Eleven positive easy to adjust positions.
- Fully pressure compensated
- On/Unload lever control with detented stops

| Part No. | Description | GPM | L/Min | PSI | BAR | Wt. (lbs.) | Cat. |
|-----------------|----------------|-------|-------|------|-----|------------|---------|
| HV1030LS | Spreader Valve | 10/30 | 151 | 3000 | 210 | 7.00 | 636 (N) |
| HV515LS | Spreader Valve | 5/15 | 76 | 3000 | 210 | 7.00 | 636 (N) |
| HVC1 | Console Only | — | — | — | — | 13.12 | 902 (N) |
| ACC01 | Acc. Plate | — | — | — | — | 0.50 | 902 (N) |

Relief Valves, Check Valve

Cross-Over Relief Valve



- Cross-over type
- HCR050 set at 1000 PSI, but is adjustable between 500-1500 PSI
- HCR075 set at 1000 PSI
- NPTF ports
- Rated at 3000 PSI max

| Part No. | Description | Wt. (lbs.) | Cat. |
|----------|--|------------|---------|
| HCR050 | Cross Over Relief Valve, 1/2" NPTF ports; 10 GPM | 7.0 | 624 (N) |
| HCR075 | Cross Over Relief Valve, 3/4" NPTF ports; 20GPM | 7.0 | 624 (N) |

Cross-Over Relief Valve



- Cross-over type
- Set at 2,000 PSI
- SAE ports
- Rated at 3000 PSI max

| Part No. | Description | Wt. (lbs.) | Cat. |
|-----------|---|------------|---------|
| HCR050SAE | Cross Over Relief Valve, 1/2" SAE Ports; 10 GPM | 7.0 | 624 (N) |

Double Check Valve



- Pilot operated
- Available in 1/2" N.P.T.F. or 1/2" SAE
- Working pressure 3625 PSI / 250 BAR
- Maximum pressure 4422 PSI / 315 BAR
- Cracking pressure 72.5 PSI / 5 BAR
- Used to convert latch pin plow applications to power angle plows

| Part No. | Description | Wt. (lbs.) | Cat. |
|----------|-----------------------------------|------------|---------|
| HCVD08 | Double Check Valve, 1/2" N.P.T.E. | 3.15 | 624 (N) |

In-Line Relief Valve



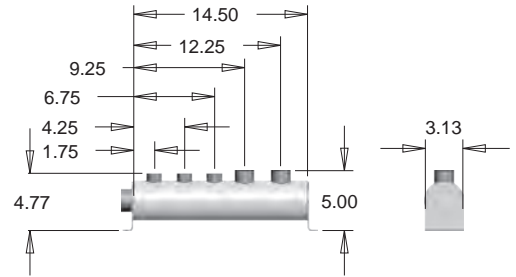
- Range 1501-3000 PSI
- HRV07516 preset at 1650 PSI, HRV07518 preset at 2000 PSI, HRV10018 preset at 2000 PSI, HRV10025 preset at 2500 PSI
- Rated at 3000 PSI max

| Part No. | Description | GPM | Wt. (lbs.) | Cat. |
|----------|--------------------------------|-----|------------|---------|
| HRV07516 | #12 SAE, In-line Relief Valve | 30 | 2.20 | 624 (N) |
| HRV07518 | 3/4" NPT, In-line Relief Valve | 20 | 2.20 | 624 (N) |
| HRV10018 | 1" NPT, In-line Relief Valve | 30 | 2.43 | 624 (N) |
| HRV10025 | 1" NPT, In-line Relief Valve | 50 | 7.74 | 624 (N) |

Return Line Manifold



- Constructed of 11 gauge steel
- Oil-fogged for maximum protection against rust before application
- Features six heavy-duty forged ports: three 3/4" NPT ports, two 1" NPT ports, and a 1 1/4" NPT return port that are used to eliminate numerous return lines back to the reservoir
- 14.5" length
- Max 50 PSI working pressure



| Part No. | Description | Wt. (lbs.) | Cat. |
|----------|----------------------|------------|---------|
| RM10 | Return Line Manifold | 6.80 | 624 (N) |

HFA0-Series



- Up to 200 PSI working pressure
- Flows up to 7 GPM for return and 2 GPM for suction line applications
- 9/16"-18 UN (SAE-6), (FH000)
- 3/8" NPTF Ports (FH001)
- 3/4" - 16 threaded necks

| Part No. | Component | Description | Wt. (lbs.) | Cat. |
|----------|---------------------|-------------------------------|------------|---------|
| FH000 | Filter Head | 9/16"-18 UN (SAE-6) No Bypass | 0.58 | 635 (N) |
| FH001 | Filter Head | 3/8" NPTF, No Bypass | 0.58 | 635 (N) |
| U0L3FE | Replacement Element | 10 Micron | 0.62 | 635 (N) |

HFA6-Series



- Up to 200 PSI working pressure
- Flows up to 15 GPM for return and 5 GPM for suction line applications
- 1/2" NPT Ports
- Two 1/8" NPT Gauge Ports
- 1" - 12 threaded necks

| Part No. | Component | Description | Wt. (lbs.) | Cat. |
|----------|---------------------|---------------|------------|---------|
| FH625 | Filter Head | 25 PSI Bypass | 0.58 | 635 (N) |
| U1L3FE | Replacement Element | 10 Micron | 1.10 | 635 (N) |
| U1L6FE | Replacement Element | 25 Micron | 1.04 | 635 (N) |

Filters

HFA1-Series



- Up to 200 PSI working pressure
- Flows up to 15 GPM for return and 5 GPM for suction line applications
- 3/4" NPT Ports
- Two 1/8" NPT Gauge Ports
- 1" - 12 threaded necks

| Part No. | Component | Description | Wt. (lbs.) | Cat. |
|----------|---------------------|--|------------|---------|
| HFA11015 | Filter Assembly | 10 Micron, 15 PSI Bypass | 1.68 | 635 (N) |
| HFA11025 | Filter Assembly | 10 Micron, 25 PSI Bypass | 1.68 | 635 (N) |
| HFA12515 | Filter Assembly | 25 Micron, 15 PSI Bypass | 1.68 | 635 (N) |
| HFA12525 | Filter Assembly | 25 Micron, 25 PSI Bypass | 1.68 | 635 (N) |
| FH115 | Filter Head | 15 PSI Bypass | 0.58 | 635 (N) |
| FH125 | Filter Head | 25 PSI Bypass | 0.58 | 635 (N) |
| U1L3FE | Replacement Element | 10 Micron | 1.10 | 635 (N) |
| U1L6FE | Replacement Element | 25 Micron | 1.04 | 635 (N) |
| HSP15P | Indicator Gauge | Pressure (Return Line) | 0.12 | 635 (N) |
| HSP15V | Indicator Gauge | Vacuum (Suction) | 0.12 | 635 (N) |
| U3L007 | Filter Bracket | Filter Bracket, for FHA1 & FHA2 Series | 1.30 | 635 (N) |

HFA7-Series



- Up to 200 PSI working pressure
- Flows up to 15 GPM for return and 5 GPM for suction line applications
- 1 " NPT Ports
- Two 1/8" NPT Gauge Ports
- 1" - 12 threaded necks

| Part No. | Component | Description | Wt. (lbs.) | Cat. |
|----------|---------------------|---------------|------------|---------|
| FH715 | Filter Head | 15 PSI Bypass | 0.81 | 635 (N) |
| FH725 | Filter Head | 25 PSI Bypass | 0.81 | 635 (N) |
| U1L3FE | Replacement Element | 10 Micron | 1.10 | 635 (N) |
| U1L6FE | Replacement Element | 25 Micron | 1.04 | 635 (N) |

HFA2-Series



- Up to 150 PSI working pressure
- Flows up to 50 GPM for return and 15 GPM for suction line applications
- 1-1/4" NPT Ports (FH215, FH225)
- Four 1/8" NPT Gauge Ports
- Dual 1-1/2" - 16 threaded necks

| Part No. | Component | Description | Wt. (lbs.) | Cat. |
|----------|---------------------|--------------------------|------------|---------|
| HFA21015 | Filter Assembly | 10 Micron, 15 PSI Bypass | 3.48 | 635 (N) |
| HFA21025 | Filter Assembly | 10 Micron, 25 PSI Bypass | 3.48 | 635 (N) |
| HFA22515 | Filter Assembly | 25 Micron, 15 PSI Bypass | 3.48 | 635 (N) |
| HFA22525 | Filter Assembly | 25 Micron, 25 PSI Bypass | 3.48 | 635 (N) |
| FH215 | Filter Head | 15 PSI Bypass | 1.71 | 635 (N) |
| FH225 | Filter Head | 25 PSI Bypass | 2.36 | 635 (N) |
| U3L3FE | Replacement Element | 10 Micron | 2.10 | 635 (N) |
| U3L6FE | Replacement Element | 25 Micron | 2.10 | 635 (N) |
| HSP15P | Indicator Gauge | Pressure (Return Line) | 0.12 | 630 (N) |
| HSP15V | Indicator Gauge | Vacuum (Suction) | 0.12 | 630 (N) |
| U3L007 | Filter Bracket | Universal Filter Bracket | 1.30 | 635 (N) |

HFA3-Series



- Up to 150 PSI working pressure
- Flows up to 100 GPM for return and 35 GPM for suction line applications
- 1-1/2" NPT Ports
- Dual 1-1/4" - 16 threaded necks

| Part No. | Component | Description | Wt. (lbs.) | Cat. |
|----------|---------------------|--|------------|---------|
| HFA31015 | Filter Assembly | 10 Micron, 15 PSI Bypass | 6.56 | 635 (N) |
| HFA31025 | Filter Assembly | 10 Micron, 25 PSI Bypass | 6.56 | 635 (N) |
| HFA32515 | Filter Assembly | 25 Micron, 15 PSI Bypass | 6.56 | 635 (N) |
| HFA32525 | Filter Assembly | 25 Micron, 25 PSI Bypass | 6.56 | 635 (N) |
| FH315 | Filter Head | 15 PSI Bypass | 2.31 | 635 (N) |
| FH325 | Filter Head | 25 PSI Bypass | 2.31 | 635 (N) |
| U3L3FE | Replacement Element | 10 Micron | 2.10 | 635 (N) |
| U3L6FE | Replacement Element | 25 Micron | 2.10 | 635 (N) |
| HSP15P | Indicator Gauge | Pressure (Return Line) | 0.12 | 630 (N) |
| HSP15V | Indicator Gauge | Vacuum (Suction) | 0.12 | 630 (N) |
| U3L007 | Filter Bracket | Filter Bracket, for FHA1 & FHA2 Series | 1.30 | 635 (N) |

Filters

HFA4-Series



- Up to 150 PSI working pressure
- Flows up to 90 GPM for return and 20 GPM for suction line applications
- Both 1-1/2" NPT and 2" SAE Ports
- Dual 1-1/2" - 16 threaded necks

| Part No. | Component | Description | Wt. (lbs.) | Cat. |
|----------|---------------------|--------------------------|------------|---------|
| HFA41015 | Filter Assembly | 10 Micron, 15 PSI Bypass | 9.56 | 635 (N) |
| HFA41025 | Filter Assembly | 10 Micron, 25 PSI Bypass | 9.56 | 635 (N) |
| HFA42515 | Filter Assembly | 25 Micron, 15 PSI Bypass | 9.56 | 635 (N) |
| HFA42525 | Filter Assembly | 25 Micron, 25 PSI Bypass | 9.56 | 635 (N) |
| FH415 | Filter Head | 15 PSI Bypass | 5.28 | 635 (N) |
| FH425 | Filter Head | 25 PSI Bypass | 5.59 | 635 (N) |
| U3L3FE | Replacement Element | 10 Micron | 2.10 | 635 (N) |
| U3L6FE | Replacement Element | 25 Micron | 2.10 | 635 (N) |
| HSP15P | Indicator Gauge | Pressure (Return Line) | 0.12 | 630 (N) |
| HSP15V | Indicator Gauge | Vacuum (Suction) | 0.12 | 630 (N) |

| Buyers | U1L3FE | U1L6FE | U3L3FE | U3L6FE |
|-------------|----------|----------|---------------------|-----------------------|
| AC | PF16 | PF26 | PF828 | |
| Baldwin | BT839-10 | BT839-25 | BT287-10 | |
| Canflo | RSE30-10 | RSE30-25 | RSE50-10 | RSE50-25 |
| Case | | | R25844 | A57857 |
| Caterpillar | | | 342449 or 8J1600 | |
| Cross | 1A9021 | 1A9023 | 1A9251* | 1A9253* |
| Deere | | | AT44696 | AT44696 or AR43261 |
| Deluxe | WD451 | WD453 | WD347 | |
| Ditch Witch | 155910 | | 155954 | |
| Fleet Guard | LF6056 | | LF680 | |
| Fram | P1653A | P1654A | PH47-10 | |
| Gresen | K22001 | K22002 | K23018* | K23019* |
| Hastings | P731 | P732 | P430 | |
| Hydra-Mac | | | 3401-303 | 3401-307 |
| Lenz | CP752-10 | CP752-30 | 1282-10-50 | |
| LHA | SPE15-10 | SPE15-25 | SPE50-10 | SPE50-25 |
| Motorcraft | FH-10 | FH-11 | FL275 | |

| Buyers | U1L3FE | U1L6FE | U3L3FE | U3L6FE |
|-------------------------|----------|-----------|---------------------|-----------|
| MPF | S28 | S29 | S58 | S59 |
| NAPA | 1551 | 1552 | 1758 | 1759 |
| New Holland | 20932 | | 262546 | |
| Owatonna | | 170-32375 | | |
| Parker | 921999 | 925023 | 926169 | 926170 |
| Pall | | | 9500FS4UJH | |
| Prince | FA-10 | FA-25 | FB10 | FB25 |
| Purolator | | | R29 | |
| Ripley | DP752-10 | DP752-25 | | |
| Stieger | | 18-502 | 18-842 | 18-498 |
| Tennant | 52582 | UCC | 1500-4-10 | 1500-4-25 |
| Vickers | | | 575942 or 941107 | |
| Wix | 51551 | 515523 | 51759 | |
| Zinga | AE10 | AE25 | SE10 | SE25 |
| Heil | | | | 75C425-1 |
| International Harvester | | | | 69149-C1 |

* Should use flat seal Part No. HFFS

Buyers Products is not authorized by nor affiliated with the manufacturer's products listed above. This information is made available for the convenience of our customers and is not meant to indicate that the product is shipped to/from above companies

HFA9-Series



- In tank filter assembly
- Up to 100 PSI working pressure
- Flows up to 26 GPM
- For use with mineral & petroleum based fluids
- Elements replaceable through filter cover
- Operating temperature -22°F to +212°F (-30°C to +100°C)
- Aluminum casting & Buna-N-seals
- 1" NPT inlet port

| Part No. | Component | Description | Wt. (lbs.) | Cat. |
|----------|---------------------|--|------------|---------|
| HFA91025 | Filter Assembly | 10 Micron, 25 PSI Bypass, 26 GPM | 2.80 | 630 (N) |
| HFA92525 | Filter Assembly | 25 Micron, 25 PSI Bypass, 40 GPM | 2.60 | 630 (N) |
| U9L3FE | Replacement Element | 10 Micron Element Only (for HFA9 Series) | 0.48 | 630 (N) |
| U9L6FE | Replacement Element | 25 Micron Element Only (for HFA9 Series) | 0.48 | 630 (N) |

HFA5-Series



- In tank filter assembly
- Up to 100 PSI working pressure
- Flows up to 50 GPM
- For use with mineral & petroleum based fluids
- Elements replaceable through filter cover
- Operating temperature -22°F to +212°F (-30°C to +100°C)
- Aluminum casting & Buna-N-seals
- 1-1/4" NPT inlet port

| Part No. | Component | Description | Wt. (lbs.) | Cat. |
|----------|---------------------|--|------------|---------|
| HFA51025 | Filter Assembly | 10 Micron 25 PSI Bypass | 6.35 | 635 (N) |
| HFA52525 | Filter Assembly | 25 Micron 25 PSI Bypass | 6.07 | 635 (N) |
| U5L3FE | Replacement Element | 10 Micron Element Only (for HFA5 Series) | 1.09 | 635 (N) |
| U5L6FE | Replacement Element | 25 Micron Element Only (for HFA5 Series) | 1.09 | 635 (N) |
| HSP15P | Indicator Gauge | Pressure (Return Line) | 0.12 | 630 (N) |

Steel Check Valve



- Holds pressure in one direction and free flows in the other direction
- Available in NPT and SAE
- Female ports on each end
- 5 PSI spring
- Max pressure 4500 PSI

| Part No. | Description | Wt. (lbs.) | Cat. |
|----------|-----------------------------|------------|---------|
| HCV038 | Steel Check Valve, 3/8" NPT | .43 | 624 (N) |
| HCV050 | Steel Check Valve, 1/2" NPT | .75 | 624 (N) |
| HCV075 | Steel Check Valve, 3/4" NPT | 1.15 | 624 (N) |
| HCV100 | Steel Check Valve, 1" NPT | 2.13 | 624 (N) |

4 Bolt Flange Adapter Kit



- Converts split flange to NPT porting
- Complete with bolts, lock washers & O-ring

| Part No. | Description | Wt. (lbs.) | Cat. |
|----------|--------------------|------------|---------|
| B431616U | 1" Adapter Kit | 1.51 | 629 (N) |
| B432020U | 1-1/4" Adapter Kit | 2.04 | 629 (N) |
| B432424U | 1-1/2" Adapter Kit | 3.02 | 629 (N) |
| B433232U | 2" Adapter Kit | 4.90 | 629 (N) |
| B434040U | 2-1/2" Adapter Kit | 5.06 | 629 (N) |

Wetline Kits & Hoses

3-Line Filtration Kit/25 Micron Filter



- **Kit includes:**
- 10' 1" dia. return line hose
- Four 1" barbed adapters
- Three 1-1/4" x 1" reducing bushings
- Four 1" hose clamps
- Return line filter with bypass and
- 25 micron spin on element
- Filter to frame mounting bracket
- Pump/valve bypass sleeve
- For up to 3 stage telescopic cylinder

| Part No. | Description | Rating | Wt. (lbs.) | Cat. |
|----------|----------------------------------|--------|------------|---------|
| U3LWF | 3-Line Kit with 25 Micron Filter | 50 GPM | 17 | 635 (N) |

3-Line Filtration Kit/25 Micron High Capacity Over Under Filter



- **Kit includes:**
- 10' 1-1/4" dia. return line hose
- Four 1-1/4" barbed adapters
- Four 1-1/4" hose clamps
- Return line filter with bypass and two 25 micron spin on elements
- Pump/valve bypass sleeve
- For up to 6 stage telescopic cylinder

| Part No. | Description | Rating | Wt. (lbs.) | Cat. |
|----------|--|---------|------------|---------|
| U3LWF3 | 3-Line Kit with 25 Micron High Capacity Filter, Over Under | 100 GPM | 20 | 635 (N) |

3-Line Filtration Kit/25 Micron High Capacity Side-by-Side Filter



- **Kit includes:**
- 10' 1-1/4" dia. return line hose
- Four 1-1/4" barbed adapters
- Four 1-1/4" hose clamps
- Return line filter with bypass and two 25 micron spin on elements
- Pump/valve bypass sleeve
- For up to 6 stage telescopic cylinder

| Part No. | Description | Rating | Wt. (lbs.) | Cat. |
|----------|--|--------|------------|---------|
| U3LWF4 | 3-Line Kit with 25 Micron High Capacity Filter, Side-by-Side | 90 GPM | 20 | 635 (N) |

Suction Hose



- Internally reinforced 100R4 suction or return line hose

| Part No. | Description | Wt. (lbs.) | Cat. |
|-----------|--------------------------------|------------|---------|
| WLH075600 | 3/4" I.D. x 50' hose | 24.5 | 637 (N) |
| WLH100120 | 1" I.D. x 10' hose | 7.50 | 637 (N) |
| WLH100600 | 1" I.D. x 50' hose | 37.5 | 637 (N) |
| WLH10072 | 1" I.D. - 100R4 x 6' | 3.00 | 637 (N) |
| WLH10096 | 1" I.D. x 8' hose | 6.00 | 637 (N) |
| WLH12572 | 1-1/4" I.D. x 6' Suction Hose | 6.60 | 637 (N) |
| WLH125120 | 1-1/4" I.D. x 10' Suction Hose | 11.0 | 637 (N) |
| WLH125144 | 1-1/4" I.D. x 12' Suction Hose | 14.0 | 637 (N) |
| WLH125600 | 1-1/4" I.D. x 50' Suction Hose | 55.0 | 637 (N) |

Suction Hose Barbed Adaptor



- Hex style

| Part No. | Description | Wt. (lbs.) | Cat. |
|----------|------------------------------------|------------|---------|
| BCA16180 | 1" Male NPT x 1" Hose Barb | 0.40 | 627 (N) |
| BCA20180 | 1-1/4" Male NPT x 1-1/4" Hose Barb | 0.75 | 627 (N) |

Iron Reducing Bushing



| Part No. | Description | Wt. (lbs.) | Cat. |
|-----------|-------------------------------------|------------|---------|
| RAB125075 | 1-1/4" Male NPT x 3/4" Female NPT | 0.40 | 627 (N) |
| RAB150125 | 1-1/2" Male NPT x 1-1/4" Female NPT | 0.30 | 627 (N) |
| RAB125100 | 1-1/4" Male NPT x 1" Female NPT | 0.26 | 627 (N) |
| RAB200125 | 2" Male NPT x 1-1/4" Female NPT | 0.68 | 627 (N) |
| RAB200150 | 2" Male NPT x 1-1/2" Female NPT | 0.60 | 627 (N) |

High Pressure Hose Assembly



- 1" high pressure SAE 100R2 (2 wire) hose assembly

| Part No. | Description | Wt. (lbs.) | Cat. |
|----------|--|------------|---------|
| HP1660 | 1" NPT x 1" NPT x 5' Long Hose Assembly | 5.00 | 637 (N) |
| HP1672 | 1" NPT x 1" NPT x 6' Long Hose Assembly | 6.00 | 637 (N) |
| HP1696 | 1" NPT x 1" NPT x 8' Long Hose Assembly | 8.00 | 637 (N) |
| HP16108 | 1" NPT x 1" NPT x 9' Long Hose Assembly | 9.00 | 637 (N) |
| HP16132 | 1" NPT x 1" NPT x 11' Long Hose Assembly | 11.0 | 637 (N) |
| HP16144 | 1" NPT x 1" NPT x 12' Long Hose Assembly | 12.0 | 637 (N) |

Combination Nipple

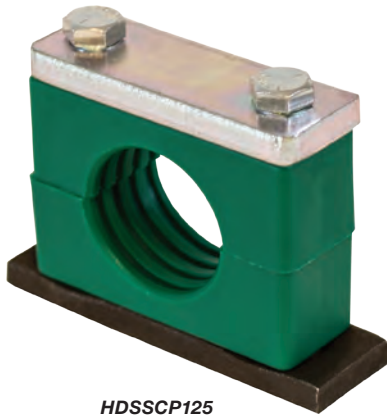


- Zinc plated steel
- Machined from schedule 40 pipe
- Close tolerances and defined serrations
- Long first serration for easy installation

| Part No. | Size | Male Thread | Hose I.D. | Barb End Length | Overall Length | Wt. (lbs.) | Cat. |
|--------------------|--------|-------------|-----------|-----------------|----------------|------------|---------|
| HCN050 | 1/2" | .50 NPT | .50" | 1.350" | 3.438" | 0.17 | 627 (N) |
| HCN075 | 3/4" | .75 NPT | .75" | 1.350" | 3.125" | 0.20 | 627 (N) |
| HCN100 | 1" | 1.00 NPT | 1.00" | 1.350" | 3.250" | 0.33 | 627 (N) |
| HCN125 | 1-1/4" | 1.25 NPT | 1.25" | 1.650" | 3.875" | 0.54 | 627 (N) |
| HCN150 | 1-1/2" | 1.50 NPT | 1.50" | 1.650" | 4.000" | 0.64 | 627 (N) |
| HCN200 | 2" | 2.00 NPT | 2.00" | 2.200" | 4.375" | 0.98 | 627 (N) |
| HCN250 | 2-1/2" | 2.50 NPT | 2.50" | 2.400" | 5.500" | 1.65 | 627 (N) |
| HCN300 | 3" | 3.00 NPT | 3.00" | 3.000" | 6.125" | 2.05 | 627 (N) |
| BHES4x5 (unplated) | 1-1/4" | 1.00 NPT | 1.25" | 1.650" | 3.375" | 0.35 | 627 (N) |
| BHEPS4x5 | 1-1/4" | 1.00 NPT | 1.25" | 1.650" | 3.375" | 0.50 | 627 (N) |
| BHEPS5x6 | 1-1/2" | 1.25 NPT | 1.50" | 1.650" | 3.500" | 0.53 | 627 (N) |
| BHRPS6x5 | 1-1/4" | 1.50 NPT | 1.25" | 1.650" | 4.875" | 0.83 | 627 (N) |

Clamps

Heavy-Duty Series Clamp for Pipe



HDSSCP125

| Part No. | Description | I.D. | Wt. (lbs.) | Cat. |
|-----------|----------------------------------|--------|------------|---------|
| HDSSCP012 | Heavy-Duty Series Clamp for Pipe | 1/8" | 0.17 | 634 (N) |
| HDSSCP025 | Heavy-Duty Series Clamp for Pipe | 1/4" | 0.21 | 634 (N) |
| HDSSCP038 | Heavy-Duty Series Clamp for Pipe | 3/8" | 0.20 | 634 (N) |
| HDSSCP050 | Heavy-Duty Series Clamp for Pipe | 1/2" | 0.24 | 634 (N) |
| HDSSCP075 | Heavy-Duty Series Clamp for Pipe | 3/4" | 0.29 | 634 (N) |
| HDSSCP100 | Heavy-Duty Series Clamp for Pipe | 1" | 0.41 | 634 (N) |
| HDSSCP125 | Heavy-Duty Series Clamp for Pipe | 1-1/4" | 0.40 | 634 (N) |

Twin Series Clamp for Pipe



TSCP125

| Part No. | Description | I.D. | Wt. (lbs.) | Cat. |
|----------|----------------------------|--------|------------|---------|
| TSCP025 | Twin Series Clamp for Pipe | 1/4" | 0.29 | 634 (N) |
| TSCP038 | Twin Series Clamp for Pipe | 3/8" | 0.31 | 634 (N) |
| TSCP050 | Twin Series Clamp for Pipe | 1/2" | 0.38 | 634 (N) |
| TSCP075 | Twin Series Clamp for Pipe | 3/4" | 0.43 | 634 (N) |
| TSCP100 | Twin Series Clamp for Pipe | 1" | 0.63 | 634 (N) |
| TSCP125 | Twin Series Clamp for Pipe | 1-1/4" | 0.59 | 634 (N) |

Standard Series Clamp for Hose



SSCH100

| Part No. | Description | I.D. | O.D. | Wt. (lbs.) | Cat. |
|----------|--------------------------------|------|-------|------------|---------|
| SSCH025 | Standard Series Clamp for Hose | 1/4" | .619 | 0.22 | 634 (N) |
| SSCH038 | Standard Series Clamp for Hose | 3/8" | .777 | 0.24 | 634 (N) |
| SSCH050 | Standard Series Clamp for Hose | 1/2" | .908 | 0.38 | 634 (N) |
| SSCH062 | Standard Series Clamp for Hose | 5/8" | 1.034 | 0.29 | 634 (N) |
| SSCH075 | Standard Series Clamp for Hose | 3/4" | 1.19 | 0.28 | 634 (N) |
| SSCH100 | Standard Series Clamp for Hose | 1" | 1.531 | 0.42 | 634 (N) |

Twin Series Clamp for Hose



TSCH100

| Part No. | Description | I.D. | O.D. | Wt. (lbs.) | Cat. |
|----------|----------------------------|------|-------|------------|---------|
| TSCH025 | Twin Series Clamp for Hose | 1/4" | .619 | 0.28 | 634 (N) |
| TSCH038 | Twin Series Clamp for Hose | 3/8" | .777 | 0.39 | 634 (N) |
| TSCH050 | Twin Series Clamp for Hose | 1/2" | .908 | 0.24 | 634 (N) |
| TSCH062 | Twin Series Clamp for Hose | 5/8" | 1.034 | 0.49 | 634 (N) |
| TSCH075 | Twin Series Clamp for Hose | 3/4" | 1.19 | 0.48 | 634 (N) |
| TSCH100 | Twin Series Clamp for Hose | 1" | 1.531 | 0.60 | 634 (N) |

Standard Series Clamp for Tubing



SSCT025

| Part No. | Description | I.D. | Wt. (lbs.) | Cat. |
|----------------|----------------------------------|--------|------------|---------|
| SSCT025 | Standard Series Clamp for Tubing | 1/4" | 0.18 | 634 (N) |
| SSCT038 | Standard Series Clamp for Tubing | 3/8" | 0.17 | 634 (N) |
| SSCT050 | Standard Series Clamp for Tubing | 1/2" | 0.21 | 634 (N) |
| SSCT062 | Standard Series Clamp for Tubing | 5/8" | 0.21 | 634 (N) |
| SSCT075 | Standard Series Clamp for Tubing | 3/4" | 0.26 | 634 (N) |
| SSCT100 | Standard Series Clamp for Tubing | 1" | 0.24 | 634 (N) |
| SSCT125 | Standard Series Clamp for Tubing | 1-1/4" | 0.41 | 634 (N) |

Heavy-Duty Series Clamp for Tubing



HDSSCT125

| Part No. | Description | I.D. | Wt. (lbs.) | Cat. |
|------------------|------------------------------------|--------|------------|---------|
| HDSSCT025 | Heavy-Duty Series Clamp for Tubing | 1/4" | 0.18 | 634 (N) |
| HDSSCT031 | Heavy-Duty Series Clamp for Tubing | 5/16" | 0.20 | 634 (N) |
| HDSSCT038 | Heavy-Duty Series Clamp for Tubing | 3/8" | 0.17 | 634 (N) |
| HDSSCT050 | Heavy-Duty Series Clamp for Tubing | 1/2" | 0.21 | 634 (N) |
| HDSSCT125 | Heavy-Duty Series Clamp for Tubing | 1-1/4" | 0.41 | 634 (N) |

Twin Series Clamp for Tubing



TSCT025

| Part No. | Description | I.D. | Wt. (lbs.) | Cat. |
|----------------|------------------------------|--------|------------|---------|
| TSCT025 | Twin Series Clamp for Tubing | 1/4" | 0.21 | 634 (N) |
| TSCT038 | Twin Series Clamp for Tubing | 3/8" | 0.20 | 634 (N) |
| TSCT062 | Twin Series Clamp for Tubing | 5/8" | 0.30 | 634 (N) |
| TSCT075 | Twin Series Clamp for Tubing | 3/4" | 0.38 | 634 (N) |
| TSCT087 | Twin Series Clamp for Tubing | 7/8" | 0.57 | 634 (N) |
| TSCT100 | Twin Series Clamp for Tubing | 1" | 0.37 | 634 (N) |
| TSCT125 | Twin Series Clamp for Tubing | 1-1/4" | 0.63 | 634 (N) |
| TSCT150 | Twin Series Clamp for Tubing | 1-1/2" | 0.61 | 634 (N) |

Standard Series Clamp for Pipe



SSCP125

| Part No. | Description | I.D. | Wt. (lbs.) | Cat. |
|----------------|--------------------------------|--------|------------|---------|
| SSCP038 | Standard Series Clamp for Pipe | 3/8" | 0.20 | 634 (N) |
| SSCP050 | Standard Series Clamp for Pipe | 1/2" | 0.24 | 634 (N) |
| SSCP075 | Standard Series Clamp for Pipe | 3/4" | 0.29 | 634 (N) |
| SSCP100 | Standard Series Clamp for Pipe | 1" | 0.41 | 634 (N) |
| SSCP125 | Standard Series Clamp for Pipe | 1-1/4" | 0.40 | 634 (N) |

Hose Clete, T-Bolt & Hose Clamps

T-Bolt Clamp



- Heat treated 1/4"-28 UNF-3A plated steel
T-bolts with plated steel locknuts
- A stainless steel welded liner closes the opening between clamp ends during tightening
- A smooth inner band prevents hoses from being cut or bulging and allows greater torquing capability than conventional worm gear clamps
- The band also assures equalized 360° clamping force around the hose for tight connections
- HC095 and HC100 do not have floating bridge

| Part No. | Nom DIA. | Min DIA. | Max DIA. | Wt. (lbs.) | Cat. |
|----------|----------|----------|----------|------------|---------|
| HC095 | 1" | 1.16" | 1.38" | 0.13 | 625 (N) |
| HC100 | 1-1/2" | 1.25" | 1.49" | 0.12 | 625 (N) |
| HC125 | 1-3/4" | 1.55" | 1.79" | 0.14 | 625 (N) |
| HC130 | 2" | 1.73" | 1.97" | 0.14 | 625 (N) |
| HC150 | 2-1/8" | 1.86" | 2.17" | 0.14 | 625 (N) |
| HC155 | 2-1/4" | 2.03" | 2.34" | 0.14 | 625 (N) |
| HC160 | 2-3/8" | 2.16" | 2.47" | 0.15 | 625 (N) |
| HC165 | 2-1/2" | 2.20" | 2.51" | 0.15 | 625 (N) |
| HC200 | 2-9/16" | 2.34" | 2.65" | 0.15 | 625 (N) |
| HC205 | 2-5/8" | 2.41" | 2.72" | 0.15 | 625 (N) |
| HC210 | 2-3/4" | 2.53" | 2.84" | 0.15 | 625 (N) |
| HC215 | 2-7/8" | 2.66" | 2.97" | 0.15 | 625 (N) |
| HC220 | 3" | 2.78" | 3.09" | 0.15 | 625 (N) |
| HC250 | 3-1/8" | 2.91" | 3.22" | 0.15 | 625 (N) |
| HC260 | 3-1/4" | 3.03" | 3.34" | 0.15 | 625 (N) |
| HC270 | 3-3/8" | 3.16" | 3.47" | 0.15 | 625 (N) |
| HC280 | 3-1/2" | 3.28" | 3.59" | 0.17 | 625 (N) |
| HC295 | 3-5/8" | 3.41" | 3.72" | 0.17 | 625 (N) |
| HC300 | 3-3/4" | 3.53" | 3.84" | 0.17 | 625 (N) |
| HC310 | 3-7/8" | 3.66" | 3.97" | 0.18 | 625 (N) |
| HC400 | 4" | 3.78" | 4.09" | 0.18 | 625 (N) |
| HC410 | 4-1/4" | 4.03" | 4.34" | 0.18 | 625 (N) |
| HC500 | 5" | 4.78" | 5.09" | 0.19 | 625 (N) |
| HC600 | 6" | 5.78" | 6.09" | 0.20 | 625 (N) |

Hose Clamp



- Material: CR Steel, C-1008-1010
- Finish: Zinc Plated
- Cushion: Black Vinyl, 1/32" thick
- **Packaged in quantities of 25 pieces**

| Part No. | Clamping DIA | Bolt Hole | Wt. (lbs.) | Cat. |
|----------|--------------|-----------|------------|---------|
| HK0509 | 1/4" | 1/4" | 0.28 | 634 (N) |
| HK0709 | 3/8" | 9/32" | 0.32 | 634 (N) |
| HK0809 | 7/16" | 9/32" | 0.50 | 634 (N) |
| HK0913 | 1/2" | 13/32" | 0.04 | 634 (N) |
| HK1013 | 9/16" | 13/32" | 0.98 | 634 (N) |
| HK1113 | 5/8" | 13/32" | 1.06 | 634 (N) |
| HK1213 | 11/16" | 13/32" | 1.14 | 634 (N) |
| HK1313 | 3/4" | 13/32" | 1.22 | 634 (N) |
| HK1413 | 13/16" | 13/32" | 1.30 | 634 (N) |
| HK1513 | 7/8" | 13/32" | 1.22 | 634 (N) |
| HK1713 | 1" | 13/32" | 1.45 | 634 (N) |
| HK1813 | 1-1/16" | 13/32" | 1.32 | 634 (N) |
| HK1913 | 1-1/8" | 13/32" | 1.64 | 634 (N) |
| HK2017 | 1-3/16" | 17/32" | 2.30 | 634 (N) |
| HK2117 | 1-1/4" | 17/32" | 2.40 | 634 (N) |
| HK2317 | 1-3/8" | 17/32" | 2.60 | 634 (N) |
| HK2517 | 1-1/2" | 17/32" | 2.74 | 634 (N) |
| HK2917 | 1-3/4" | 17/32" | 3.12 | 634 (N) |
| HK3117 | 1-7/8" | 17/32" | 3.32 | 634 (N) |
| HK3217 | 1-15/16" | 17/32" | 3.24 | 634 (N) |
| HK3317 | 2" | 17/32" | 3.52 | 634 (N) |
| HK3417 | 2-5/32" | 17/32" | 3.76 | 634 (N) |
| HK3817 | 2-5/8" | 17/32" | 4.50 | 634 (N) |

Wing Type Quick Detach Hydraulic Coupler



- Solid brass coupler halves
- Ductile iron wing section

| Part No. | Description | Wt. (lbs.) | Cat. |
|---|--|------------|---------|
| 3/4" NPT Coupler (Flow Rate 18 GPM) | | | |
| QDWC12 | 3/4" Complete Coupler Male & Female Assemblies | 2.00 | 647 (N) |
| QDWC121 | 3/4" Wing Type Quick Detach Coupler, Male End | 0.76 | 647 (N) |
| QDWC122 | 3/4" Wing Type Quick Detach Coupler, Female End | 1.24 | 647 (N) |
| 1" NPT Coupler (Flow Rate 45 GPM) | | | |
| QDWC16 | 1" Complete Coupler Male & Female Assemblies | 3.25 | 644 (N) |
| QDWC161 | 1" Wing Type Quick Detach Coupler, Male End Only | 1.35 | 644 (N) |
| QDWC162 | 1" Wing Type Quick Detach Coupler, Female End Only | 1.90 | 644 (N) |
| 1-1/4" NPT Coupler (Flow Rate 75 GPM) | | | |
| QDWC20 | 1-1/4" Complete Coupler Male & Female Assemblies | 4.50 | 644 (N) |
| QDWC201 | 1-1/4" Wing Type Quick Detach Coupler, Male End Only | 1.70 | 644 (N) |
| QDWC202 | 1-1/4" Wing Type Quick Detach Coupler, Female End Only | 2.80 | 644 (N) |
| 1-1/2" NPT Coupler (Flow Rate 100 GPM) | | | |
| QDWC24 | 1-1/2" Complete Coupler Male & Female Assemblies | 6.10 | 644 (N) |
| QDWC241 | 1-1/2" Wing Type Quick Detach Coupler, Male End | 2.65 | 647 (N) |
| QDWC242 | 1-1/2" Wing Type Quick Detach Coupler, Female End | 2.17 | 647 (N) |

Steel Dust Cap



| Part No. | Description | Wt. (lbs.) | Cat. |
|----------|---|------------|---------|
| QDDC121 | Steel Dust Cap w/Chain for 3/4" NPT Coupler | 0.45 | 647 (N) |
| QDDC161 | Steel Dust Cap w/Chain for 1" NPT Coupler | 0.40 | 644 (N) |
| QDDC201 | Steel Dust Cap w/Chain for 1-1/4" NPT Coupler | 0.55 | 644 (N) |
| QDDC241 | Steel Dust Cap w/Chain for 1-1/2" NPT Coupler | 0.65 | 644 (N) |

Steel Dust Plug



| Part No. | Description | Wt. (lbs.) | Cat. |
|----------|--|------------|---------|
| QDDP122 | Steel Dust Plug w/Chain for 3/4" NPT Coupler | 0.50 | 647 (N) |
| QDDP162 | Steel Dust Plug w/Chain for 1" NPT Coupler | 0.60 | 644 (N) |
| QDDP202 | Steel Dust Plug w/Chain for 1-1/4" NPT Coupler | 0.70 | 644 (N) |

Quick Couplers

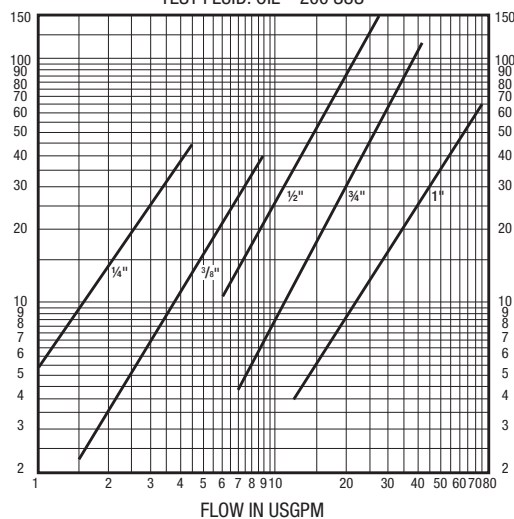
Sleeve Type Quick Detach Hydraulic Coupler



- Rugged general purpose coupler with a single acting sleeve
- Connects when system is not operating or when pressure has been relieved
- Zinc plated steel bodies

B4000 SERIES (1/4, 3/8, 1/2, 3/4, 1)

TEST FLUID: OIL – 200 SUS



| Part No. | PKG. Part No. | Description | Wt. (lbs.) | Cat. |
|----------|---------------|-------------------------|------------|---------|
| B40002 | 60005 | 1/4" NPTF Coupler Assy. | 0.34 | 644 (N) |
| B40003 | 60006 | 3/8" NPTF Coupler Assy. | 0.67 | 644 (N) |
| B40004 | 60007 | 1/2" NPTF Coupler Assy. | 0.80 | 644 (N) |
| B40005 | 60008 | 3/4" NPTF Coupler Assy. | 1.00 | 644 (N) |
| B40006 | | 1" NPTF Coupler Assy. | 2.50 | 644 (N) |

| | B4000 Series (1/4, 3/8, 1/2, 3/4, 1) | | | | |
|--------------------|--------------------------------------|------|------|------|--------|
| | 1/4" | 3/8" | 1/2" | 3/4" | 1" |
| Rated PSI | 2500 | 2500 | 2500 | 2000 | 2000 |
| Temp. Range | -40° to +250° F | | | | |
| Valves | Ball | Ball | Ball | Ball | Poppet |

Rubber Dust Plug



| Part No. | Description | Wt. (lbs.) | Cat. |
|----------|----------------|------------|---------|
| B40002DP | 1/4" Dust Plug | 0.02 | 644 (N) |
| B40003DP | 3/8" Dust Plug | 0.04 | 644 (N) |
| B40004DP | 1/2" Dust Plug | 0.04 | 644 (N) |
| B40005DP | 3/4" Dust Plug | 0.11 | 644 (N) |
| B40006DP | 1" Dust Plug | 0.11 | 644 (N) |

Rubber Dust Cap



| Part No. | Description | Wt. (lbs.) | Cat. |
|----------|---------------|------------|---------|
| B40002DC | 1/4" Dust Cap | 0.03 | 644 (N) |
| B40003DC | 3/8" Dust Cap | 0.04 | 644 (N) |
| B40004DC | 1/2" Dust Cap | 0.04 | 644 (N) |
| B40005DC | 3/4" Dust Cap | 0.07 | 644 (N) |
| B40006DC | 1" Dust Cap | 0.14 | 644 (N) |

Female Flush-Face Couplers



- Push to connect design, no need to retract the sleeve to connect
- Locking sleeve standard on all sizes to prevent accidental disconnection during operation
- 5,000 PSI rating and a 4 to 1 safety factor
- Very minimal spillage upon disconnection
- No air inclusion upon connection
- Comparable to Parker®, Faster®, Holmbury®, Safeway®*
- A push on "toilet seat" style dust protector for the coupler side helps keep contaminants from entering the hydraulic system
- Manufactured to ISO 16028 specifications
- Note: The standard "FF" series couplings are NOT designed to connect or disconnect under pressure even though you are able to connect the plug into the coupler with up to 200 lbs. of residual pressure

| Part No. | Description | Port NPT | Wt. (lbs.) | Cat. |
|----------|-------------------------------|----------|------------|---------|
| FF0606 | 3/8" Female Coupler | 3/8" | 0.70 | 644 (N) |
| FF0608 | 3/8" Female Coupler | 1/2" | 0.67 | 644 (N) |
| FF0808 | 1/2" Female Coupler | 1/2" | 1.19 | 644 (N) |
| FF0812 | 1/2" Female Coupler | 3/4" | 1.13 | 644 (N) |
| FF08FC | 1/2" Dust Cap, Female Coupler | – | 0.06 | 644 (N) |

Male Flush-Face Couplers



- Push to connect design, no need to retract the sleeve to connect
- Locking sleeve standard on all sizes to prevent accidental disconnection during operation
- 5,000 PSI rating and a 4 to 1 safety factor
- Very minimal spillage upon disconnection
- No air inclusion upon connection
- Comparable to Parker®, Faster®, Holmbury®, Safeway®*
- A push on "toilet seat" style dust protector for the coupler side helps keep contaminants from entering the hydraulic system
- Manufactured to ISO 16028 specifications
- Note: The standard "FF" series couplings are NOT designed to connect or disconnect under pressure even though you are able to connect the plug into the coupler with up to 200 lbs. of residual pressure

| Part No. | Description | Port NPT | Wt. (lbs.) | Cat. |
|----------|--------------------------|---------------|------------|---------|
| FM0606 | 3/8" Male Plug | 3/8" | 0.42 | 644 (N) |
| FM0608 | 3/8" Male Plug | 1/2" | 0.39 | 644 (N) |
| FM0808 | 1/2" Male Plug | 1/2" | 0.72 | 644 (N) |
| FM0812 | 1/2" Male Plug | 3/4" | 0.67 | 644 (N) |
| FM08S12 | 1/2" Male Plug | 1-1/16-12 UNF | 0.64 | 644 (N) |
| FF08MC | 1/2" Dust Cap, Male Plug | – | 0.04 | 644 (N) |

* Buyers Products is not authorized by nor affiliated with the manufacturer of Parker®, Faster®, Holmbury®, or Safeway® products.

Fittings

Steel Pipe Fittings

- **Typical Application:** Grease, instrumental and most hydraulic systems
- **Pressure:** Up to 3000 PSI depending on pipe size.
- **Sealing Method:** 1-piece tapered pipe, dryseal (NPTF)
- **Vibration Rating:** Fair resistance
- **Material:** Carbon steel – AISI/ SAE 12L14
- **Advantage:** Dryseal pipe threads (NPTF), zinc plate, compact size, broad selection of styles and sizes.
- **Conformance:** Meets SAE specifications

| Pipe Size | 1/16" | 1/8" | 1/4" | 3/8" |
|-------------|---------|--------|--------|--------|
| Thread Size | 1/16-27 | 1/8-27 | 1/4-28 | 3/8-18 |

| Pipe Size | 1/2" | 3/4" | 1" |
|-------------|--------|--------|----------|
| Thread Size | 1/2-14 | 3/4-14 | 1-11 1/2 |

| Pipe Size | 1-1/4" | 1-1/2" | 2" |
|-------------|--------------|--------------|----------|
| Thread Size | 1 1/4-11 1/2 | 1 1/2-11 1/2 | 2-11 1/2 |

Hex Nipple



| Part No. | ① Male Pipe Thread | ② Male Pipe Thread | Cat. |
|------------|--------------------|--------------------|---------|
| H3069X2 | 1/8" | 1/8" | 627 (N) |
| H3069X4X2 | 1/4" | 1/8" | 627 (N) |
| H3069X4 | 1/4" | 1/4" | 627 (N) |
| H3069X6X4 | 3/8" | 1/4" | 627 (N) |
| H3069X6 | 3/8" | 3/8" | 627 (N) |
| H3069X8X4 | 1/2" | 1/4" | 627 (N) |
| H3069X8X6 | 1/2" | 3/8" | 627 (N) |
| H3069X8 | 1/2" | 1/2" | 627 (N) |
| H3069X12X8 | 3/4" | 1/2" | 627 (N) |
| H3069X12 | 3/4" | 3/4" | 627 (N) |
| H3069X16 | 1" | 1" | 627 (N) |
| H3069X20 | 1-1/4" | 1-1/4" | 627 (N) |

Reducer Bushing



| Part No. | ① Male Pipe Thread | ② Female Pipe Thread | Cat. |
|-------------|--------------------|----------------------|---------|
| H3109X4X2 | 1/4" | 1/8" | 627 (N) |
| H3109X6X2 | 3/8" | 1/8" | 627 (N) |
| H3109X6X4 | 3/8" | 1/4" | 627 (N) |
| H3109X8X2 | 1/2" | 1/8" | 627 (N) |
| H3109X8X4 | 1/2" | 1/4" | 627 (N) |
| H3109X8X6 | 1/2" | 3/8" | 627 (N) |
| H3109X12X4 | 3/4" | 1/4" | 627 (N) |
| H3109X12X6 | 3/4" | 3/8" | 627 (N) |
| H3109X12X8 | 3/4" | 1/2" | 627 (N) |
| H3109X16X6 | 1" | 3/8" | 627 (N) |
| H3109X16X8 | 1" | 1/2" | 627 (N) |
| H3109X16X12 | 1" | 3/4" | 627 (N) |
| H3109X20X12 | 1-1/4" | 3/4" | 627 (N) |
| H3109X20X16 | 1-1/4" | 1" | 627 (N) |
| H3109X24X20 | 1-1/2" | 1-1/4" | 627 (N) |

Hex Head Plug



| Part No. | Male Pipe Thread | Cat. |
|----------|------------------|---------|
| H3159X2 | 1/8" | 627 (N) |
| H3159X4 | 1/4" | 627 (N) |
| H3159X6 | 3/8" | 627 (N) |
| H3159X8 | 1/2" | 627 (N) |
| H3159X12 | 3/4" | 627 (N) |
| H3159X16 | 1" | 627 (N) |

Hex Socket Plug



| Part No. | Male Pipe Thread | Cat. |
|----------|------------------|---------|
| H3169X2 | 1/8" | 627 (N) |
| H3169X4 | 1/4" | 627 (N) |

Square Head Plug



| Part No. | Male Pipe Thread | Cat. |
|----------|------------------|---------|
| H3179X2 | 1/8" | 627 (N) |
| H3179X4 | 1/4" | 627 (N) |
| H3179X6 | 3/8" | 627 (N) |
| H3179X8 | 1/2" | 627 (N) |
| H3179X12 | 3/4" | 627 (N) |
| H3179X16 | 1" | 627 (N) |

Adapter



| Part No. | ① Female Pipe Thread | ② Male Pipe Thread | Cat. |
|-------------|----------------------|--------------------|---------|
| H3209X8X4 | 1/2" | 1/4" | 627 (N) |
| H3209X8X6 | 1/2" | 3/8" | 627 (N) |
| H3209X12X8 | 3/4" | 1/2" | 627 (N) |
| H3209X16X12 | 1" | 3/4" | 627 (N) |

Straight Thread O-Ring Adapter



| Part No. | ① Male Straight Thread | ② Female Pipe Thread | Cat. |
|-------------|------------------------|----------------------|---------|
| H3269X6X4 | 3/8" | 1/4" | 627 (N) |
| H3269X6X6 | 3/8" | 3/8" | 627 (N) |
| H3269X8X4 | 1/2" | 1/4" | 627 (N) |
| H3269X8X6 | 1/2" | 3/8" | 627 (N) |
| H3269X8X8 | 1/2" | 1/2" | 627 (N) |
| H3269X10X4 | 5/8" | 1/4" | 627 (N) |
| H3269X10X6 | 5/8" | 3/8" | 627 (N) |
| H3269X10X8 | 5/8" | 1/2" | 627 (N) |
| H3269X10X12 | 5/8" | 3/4" | 627 (N) |
| H3269X12X8 | 3/4" | 1/2" | 627 (N) |
| H3269X12X12 | 3/4" | 3/4" | 627 (N) |
| H3269X16X8 | 1" | 1/2" | 627 (N) |
| H3269X16X12 | 1" | 3/4" | 627 (N) |
| H3269X16X16 | 1" | 1" | 627 (N) |
| H3269X20X16 | 1-1/4" | 1" | 627 (N) |
| H3269X20X20 | 1-1/4" | 1-1/4" | 627 (N) |

Coupling



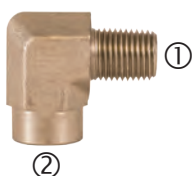
| Part No. | ①Female Pipe Thread | ②Female Pipe Thread | Cat. |
|-----------|---------------------|---------------------|---------|
| H3309X2 | 1/8" | 1/8" | 627 (N) |
| H3309X4 | 1/4" | 1/4" | 627 (N) |
| H3309X6X4 | 3/8" | 1/4" | 627 (N) |
| H3309X6 | 3/8" | 3/8" | 627 (N) |
| H3309X8X6 | 1/2" | 3/8" | 627 (N) |
| H3309X8 | 1/2" | 1/2" | 627 (N) |
| H3309X12 | 3/4" | 3/4" | 627 (N) |
| H3309X16 | 1" | 1" | 627 (N) |

45° Street Elbow



| Part No. | ①Male Pipe Thread | ②Female Pipe Thread | Cat. |
|----------|-------------------|---------------------|---------|
| H3359X2 | 1/8" | 1/8" | 627 (N) |
| H3359X4 | 1/4" | 1/4" | 627 (N) |
| H3359X6 | 3/8" | 3/8" | 627 (N) |
| H3359X8 | 1/2" | 1/2" | 627 (N) |
| H3359X12 | 3/4" | 3/4" | 627 (N) |
| H3359X16 | 1" | 1" | 627 (N) |

90° Street Elbow



| Part No. | ①Male Pipe Thread | ②Female Pipe Thread | Cat. |
|----------|-------------------|---------------------|---------|
| H3409X2 | 1/8" | 1/8" | 627 (N) |
| H3409X4 | 1/4" | 1/4" | 627 (N) |
| H3409X6 | 3/8" | 3/8" | 627 (N) |
| H3409X8 | 1/2" | 1/2" | 627 (N) |
| H3409X12 | 3/4" | 3/4" | 627 (N) |
| H3409X16 | 1" | 1" | 627 (N) |
| H3409X20 | 1-1/4" | 1-1/4" | 627 (N) |

90° Elbow



| Part No. | ①Female Pipe Thread | ②Female Pipe Thread | Cat. |
|----------|---------------------|---------------------|---------|
| H3509X2 | 1/8" | 1/8" | 627 (N) |
| H3509X4 | 1/4" | 1/4" | 627 (N) |
| H3509X6 | 3/8" | 3/8" | 627 (N) |
| H3509X8 | 1/2" | 1/2" | 627 (N) |
| H3509X12 | 3/4" | 3/4" | 627 (N) |
| H3509X16 | 1" | 1" | 627 (N) |
| H3509X20 | 1-1/4" | 1-1/4" | 627 (N) |

90° Male Pipe Elbow



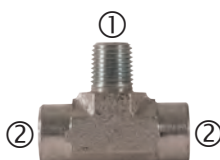
| Part No. | ①Male Pipe Thread | ②Male Pipe Thread | Cat. |
|----------|-------------------|-------------------|---------|
| H3529X4 | 1/4" | 1/4" | 627 (N) |
| H3529X6 | 3/8" | 3/8" | 627 (N) |
| H3529X8 | 1/2" | 1/2" | 627 (N) |
| H3529X12 | 3/4" | 3/4" | 627 (N) |
| H3529X16 | 1" | 1" | 627 (N) |

45° Elbow



| Part No. | ①Female Pipe Thread | ②Female Pipe Thread | Cat. |
|----------|---------------------|---------------------|---------|
| H3559X12 | 3/4" | 3/4" | 627 (N) |

Male Branch Tee



| Part No. | ①Male Pipe Thread | ②Female Pipe Thread | Cat. |
|----------|-------------------|---------------------|---------|
| H3609X4 | 1/4" | 1/4" | 627 (N) |
| H3609X8 | 1/2" | 1/2" | 627 (N) |
| H3609X12 | 3/4" | 3/4" | 627 (N) |

Tee



| Part No. | Female Pipe Thread | Cat. |
|----------|--------------------|---------|
| H3709X2 | 1/8" | 627 (N) |
| H3709X4 | 1/4" | 627 (N) |
| H3709X6 | 3/8" | 627 (N) |
| H3709X8 | 1/2" | 627 (N) |
| H3709X12 | 3/4" | 627 (N) |
| H3709X16 | 1" | 627 (N) |
| H3709X20 | 1-1/4" | 627 (N) |

Male Run Tee



| Part No. | ①Male Pipe Thread | ②Female Pipe Thread | Cat. |
|----------|-------------------|---------------------|---------|
| H3759X4 | 1/4" | 1/4" | 627 (N) |
| H3759X6 | 3/8" | 3/8" | 627 (N) |
| H3759X8 | 1/2" | 1/2" | 627 (N) |
| H3759X12 | 3/4" | 3/4" | 627 (N) |
| H3759X16 | 1" | 1" | 627 (N) |

Straight Thread O-Ring Hex Socket Plug



| Part No. | Port Size | Cat. |
|----------|-----------|---------|
| H7238X2 | 1/8" | 627 (N) |
| H7238X4 | 1/4" | 627 (N) |
| H7238X6 | 3/8" | 627 (N) |
| H7238X8 | 1/2" | 627 (N) |
| H7238X10 | 5/8" | 627 (N) |
| H7238X12 | 3/4" | 627 (N) |
| H7238X16 | 1" | 627 (N) |
| H7238X20 | 1-1/4" | 627 (N) |

Fittings

Tube Fittings J.I.C. 37

- **Typical Application:** Hydraulic, instrumentation and chemical processing systems
- **Pressure:** Up to 10,000 PSI depending on tube size.
- **Sealing Method:** 3-piece flare
- **Vibration Rating:** Good resistance
- **Material:** Carbon steel – AISI/ SAE 12L14
- **Used With:** Copper, brass, steel, aluminum and other tubing that can be flared.
- **Advantage:** Zinc plate, 3 piece design. Broad selection of styles and sizes. Interchangeable with all sources.
- **Identifying Characteristics:** Short nut with sleeve protruding. Material is generally steel or stainless.
- **Conformance:** Meets J.I.C., SAE (J154) Standards

| Tube O.D. | 1/8" | 3/16" | 1/4" | 5/16" |
|-----------|----------|---------|----------|---------|
| Thread | 5/16"-24 | 3/8"-24 | 7/16"-20 | 1/2"-20 |

| Tube O.D. | 3/8" | 1/2" | 5/8" |
|-----------|----------|---------|---------|
| Thread | 9/16"-18 | 3/4"-16 | 7/8"-14 |

| Tube O.D. | 3/4" | 7/8" | 1" |
|-----------|------------|------------|------------|
| Thread | 1 1/16"-12 | 1 3/16"-12 | 1 5/16"-12 |

| Tube O.D. | 1-1/4" | 1-1/2" | 2" |
|-----------|-----------|-----------|-----------|
| Thread | 1 5/8"-12 | 1 7/8"-12 | 2 1/2"-12 |

Reducer



| Part No. | Tube Reduction | Cat. |
|-------------|----------------|---------|
| H5015X6X4 | 3/8" to 1/4" | 627 (N) |
| H5015X8X4 | 1/2" to 1/4" | 627 (N) |
| H5015X8X6 | 1/2" to 3/8" | 627 (N) |
| H5015X10X8 | 5/8" to 1/2" | 627 (N) |
| H5015X16X12 | 1" to 3/4" | 627 (N) |

Nut 3-Piece



| Part No. | Tube O.D. | Cat. |
|----------|-----------|---------|
| H5105X3 | 3/16" | 627 (N) |
| H5105X4 | 1/4" | 627 (N) |
| H5105X6 | 3/8" | 627 (N) |
| H5105X8 | 1/2" | 627 (N) |
| H5105X10 | 5/8" | 627 (N) |
| H5105X12 | 3/4" | 627 (N) |
| H5105X14 | 7/8" | 627 (N) |

Cap



| Part No. | Tube O.D. | Cat. |
|----------|-----------|---------|
| H5129X4 | 1/4" | 627 (N) |
| H5129X5 | 5/16" | 627 (N) |
| H5129X6 | 3/8" | 627 (N) |
| H5129X8 | 1/2" | 627 (N) |
| H5129X10 | 5/8" | 627 (N) |
| H5129X12 | 3/4" | 627 (N) |
| H5129X14 | 7/8" | 627 (N) |
| H5129X16 | 1" | 627 (N) |
| H5129X20 | 1-1/4" | 627 (N) |

Sleeve 3-Piece



| Part No. | Tube O.D. | Cat. |
|----------|-----------|---------|
| H5165X4 | 1/4" | 627 (N) |
| H5165X6 | 3/8" | 627 (N) |
| H5165X8 | 1/2" | 627 (N) |
| H5165X10 | 5/8" | 627 (N) |
| H5165X12 | 3/4" | 627 (N) |
| H5165X16 | 1" | 627 (N) |

Male Connector



| Part No. | ① Tube O.D. | ② Pipe Thread | Cat. |
|-------------|-------------|---------------|---------|
| H5205X4 | 1/4" | 1/8" | 627 (N) |
| H5205X4X4 | 1/4" | 1/4" | 627 (N) |
| H5205X4X6 | 1/4" | 3/8" | 627 (N) |
| H5205X4X8 | 1/4" | 1/2" | 627 (N) |
| H5205X6X2 | 3/8" | 1/8" | 627 (N) |
| H5205X6 | 3/8" | 1/4" | 627 (N) |
| H5205X6X6 | 3/8" | 3/8" | 627 (N) |
| H5205X6X8 | 3/8" | 1/2" | 627 (N) |
| H5205X8 | 1/2" | 3/8" | 627 (N) |
| H5205X8X4 | 1/2" | 1/4" | 627 (N) |
| H5205X8X8 | 1/2" | 1/2" | 627 (N) |
| H5205X8X12 | 1/2" | 3/4" | 627 (N) |
| H5205X10 | 5/8" | 1/2" | 627 (N) |
| H5205X10X12 | 5/8" | 3/4" | 627 (N) |
| H5205X12X8 | 3/4" | 1/2" | 627 (N) |
| H5205X12 | 3/4" | 3/4" | 627 (N) |
| H5205X12X16 | 3/4" | 1" | 627 (N) |
| H5205X16X12 | 1" | 3/4" | 627 (N) |
| H5205X16 | 1" | 1" | 627 (N) |
| H5205X20 | 1-1/4" | 1-1/4" | 627 (N) |

Plug



| Part No. | Tube O.D. | Cat. |
|----------|-----------|---------|
| H5229X4 | 1/4" | 627 (N) |
| H5229X5 | 5/16" | 627 (N) |
| H5229X6 | 3/8" | 627 (N) |
| H5229X8 | 1/2" | 627 (N) |
| H5229X10 | 5/8" | 627 (N) |
| H5229X12 | 3/4" | 627 (N) |
| H5229X16 | 1" | 627 (N) |
| H5229X20 | 1-1/4" | 627 (N) |

Rigid Female Pipe to Male JIC



| Part No. | ① Tube O.D. | ② Female Pipe Thread | Cat. |
|-----------|-------------|----------------------|---------|
| H5255X6 | 3/8" | 1/4" | 627 (N) |
| H5255X8X8 | 1/2" | 1/2" | 627 (N) |
| H5255X20 | 1-1/4" | 1-1/4" | 627 (N) |
| H5255X32 | 2" | 2" | 627 (N) |

Small Hex Union



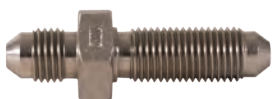
| Part No. | ① Tube O.D. | ② Tube O.D. | Cat. |
|----------|-------------|-------------|---------|
| H5305X4 | 1/4" | 1/4" | 627 (N) |
| H5305X6 | 3/8" | 3/8" | 627 (N) |
| H5305X8 | 1/2" | 1/2" | 627 (N) |
| H5305X10 | 5/8" | 5/8" | 627 (N) |
| H5305X12 | 3/4" | 3/4" | 627 (N) |

Straight Thread O-Ring Connector



| Part No. | ①Tube O.D. | ②Port Size | Cat. |
|-------------|------------|------------|---------|
| H5315X4 | 1/4" | 1/4" | 627 (N) |
| H5315X4X6 | 1/4" | 3/8" | 627 (N) |
| H5315X6X4 | 3/8" | 1/4" | 627 (N) |
| H5315X6 | 3/8" | 3/8" | 627 (N) |
| H5315X6X8 | 3/8" | 1/2" | 627 (N) |
| H5315X8X6 | 1/2" | 3/8" | 627 (N) |
| H5315X8 | 1/2" | 1/2" | 627 (N) |
| H5315X8X10 | 1/2" | 5/8" | 627 (N) |
| H5315X8X12 | 1/2" | 3/4" | 627 (N) |
| H5315X10X8 | 5/8" | 1/2" | 627 (N) |
| H5315X10 | 5/8" | 5/8" | 627 (N) |
| H5315X10X12 | 5/8" | 3/4" | 627 (N) |
| H5315X12X8 | 3/4" | 1/2" | 627 (N) |
| H5315X12X10 | 3/4" | 5/8" | 627 (N) |
| H5315X12 | 3/4" | 3/4" | 627 (N) |
| H5315X12X16 | 3/4" | 1" | 627 (N) |
| H5315X16 | 1" | 1" | 627 (N) |
| H5315X16X20 | 1" | 1-1/4" | 627 (N) |

Bulkhead Union



| Part No. | Tube O.D. | Cat. |
|----------|-----------|---------|
| H5325X4 | 1/4" | 627 (N) |
| H5325X6 | 3/8" | 627 (N) |
| H5325X8 | 1/2" | 627 (N) |
| H5325X10 | 5/8" | 627 (N) |
| H5325X12 | 3/4" | 626 (N) |
| H5325X16 | 1" | 627 (N) |

45° Male Elbow



| Part No. | ①Tube O.D. | ②Male Pipe Thread | Cat. |
|-----------|------------|-------------------|---------|
| H5355X4X4 | 1/4" | 1/4" | 627 (N) |
| H5355X6 | 3/8" | 1/4" | 627 (N) |
| H5355X6X6 | 3/8" | 3/8" | 627 (N) |
| H5355X8 | 1/2" | 3/8" | 627 (N) |
| H5355X10 | 5/8" | 1/2" | 627 (N) |
| H5355X12 | 3/4" | 3/4" | 627 (N) |
| H5355X16 | 1" | 1" | 627 (N) |

Swivel Nut 45° Elbow



| Part No. | Tube O.D. | Cat. |
|----------|-----------|---------|
| H5356X6 | 3/8" | 627 (N) |
| H5356X8 | 1/2" | 627 (N) |
| H5356X10 | 5/8" | 627 (N) |
| H5356X12 | 3/4" | 626 (N) |
| H5356X16 | 1" | 627 (N) |

Straight Thread O-Ring 45° Elbow



| Part No. | ①Tube O.D. | ②Port Size | Cat. |
|----------|------------|------------|---------|
| H5365X4 | 1/4" | 1/4" | 627 (N) |
| H5365X6 | 3/8" | 3/8" | 627 (N) |
| H5365X12 | 3/4" | 3/4" | 627 (N) |

90° Male Elbow



| Part No. | ①Tube O.D. | ②Male Pipe Thread | Cat. |
|------------|------------|-------------------|---------|
| H5405X4 | 1/4" | 1/8" | 627 (N) |
| H5405X4X4 | 1/4" | 1/4" | 627 (N) |
| H5405X6 | 3/8" | 1/4" | 627 (N) |
| H5405X6X6 | 3/8" | 3/8" | 627 (N) |
| H5405X6X8 | 3/8" | 1/2" | 627 (N) |
| H5405X8 | 1/2" | 3/8" | 627 (N) |
| H5405X8X8 | 1/2" | 1/2" | 627 (N) |
| H5405X8X12 | 1/2" | 3/4" | 627 (N) |
| H5405X10 | 5/8" | 1/2" | 627 (N) |
| H5405X12X8 | 3/4" | 1/2" | 627 (N) |
| H5405X12 | 3/4" | 3/4" | 627 (N) |
| H5405X16 | 1" | 1" | 627 (N) |
| H5405X20 | 1-1/4" | 1-1/4" | 627 (N) |
| H5405X24 | 1-1/2" | 1-1/2" | 627 (N) |

90° Male Elbow Long



| Part No. | ①Tube O.D. | ②Male Pipe Thread | Cat. |
|-----------|------------|-------------------|---------|
| H5425X4X4 | 1/4" | 1/4" | 627 (N) |
| H5425X10 | 5/8" | 1/2" | 627 (N) |
| H5425X14 | 7/8" | 3/4" | 627 (N) |

90° Female Elbow



| Part No. | ①Tube O.D. | ②Female Pipe Thread | Cat. |
|----------|------------|---------------------|---------|
| H5455X10 | 5/8" | 1/2" | 627 (N) |
| H5455X16 | 1" | 1" | 627 (N) |

90° Union Elbow



| Part No. | Tube O.D. | Cat. |
|----------|-----------|---------|
| H5505X8 | 1/2" | 627 (N) |
| H5505X12 | 3/4" | 627 (N) |

Fittings

Swivel Nut 90° Elbow



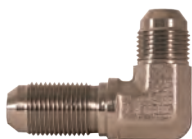
| Part No. | Tube O.D. | Cat. |
|----------|-----------|---------|
| H5506X4 | 1/4" | 627 (N) |
| H5506X6 | 3/8" | 627 (N) |
| H5506X8 | 1/2" | 627 (N) |
| H5506X10 | 5/8" | 627 (N) |
| H5506X12 | 3/4" | 627 (N) |
| H5506X16 | 1" | 627 (N) |

Straight Thread O-Ring 90° Elbow



| Part No. | ① Tube O.D. | ② Port Size | Cat. |
|------------|-------------|-------------|---------|
| H5515X5 | 5/16" | 5/16" | 627 (N) |
| H5515X6 | 3/8" | 3/8" | 627 (N) |
| H5515X6X8 | 3/8" | 1/2" | 627 (N) |
| H5515X8X6 | 1/2" | 3/8" | 627 (N) |
| H5515X8 | 1/2" | 1/2" | 627 (N) |
| H5515X8X10 | 1/2" | 5/8" | 627 (N) |
| H5515X10 | 5/8" | 5/8" | 627 (N) |
| H5515X12 | 3/4" | 3/4" | 627 (N) |
| H5515X14 | 7/8" | 7/8" | 627 (N) |
| H5515X16 | 1" | 1" | 627 (N) |

Bulkhead Union Elbow



| Part No. | Tube O.D. | Cat. |
|----------|-----------|---------|
| H5525X8 | 1/2" | 627 (N) |
| H5525X12 | 3/4" | 627 (N) |

Union Tee



| Part No. | Tube O.D. | Cat. |
|----------|-----------|---------|
| H5705X4 | 1/4" | 627 (N) |
| H5705X6 | 3/8" | 627 (N) |
| H5705X8 | 1/2" | 627 (N) |

Swivel Nut Run Tee



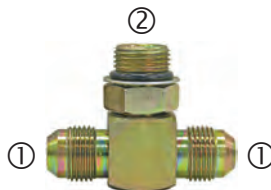
| Part No. | Tube O.D. | Cat. |
|----------|-----------|---------|
| H5706X8 | 1/2" | 627 (N) |
| H5706X10 | 5/8" | 627 (N) |
| H5706X12 | 3/4" | 627 (N) |
| H5706X16 | 1" | 627 (N) |

Swivel Nut Branch Tee



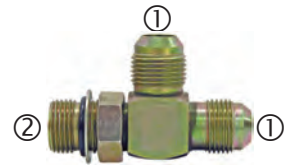
| Part No. | Tube O.D. | Cat. |
|----------|-----------|---------|
| H5707X8 | 1/2" | 627 (N) |

Straight Thread O-Ring Branch Tee



| Part No. | ① Tube O.D. | ② Port Size | Cat. |
|----------|-------------|-------------|---------|
| H5715X6 | 3/8" | 3/8" | 627 (N) |
| H5715X8 | 1/2" | 1/2" | 627 (N) |

Straight Thread O-Ring Run Tee



| Part No. | ① Tube O.D. | ② Port Size | Cat. |
|----------|-------------|-------------|---------|
| H5716X6 | 3/8" | 3/8" | 627 (N) |
| H5716X8 | 1/2" | 1/2" | 627 (N) |

Bulkhead Run Tee



| Part No. | Tube O.D. | Cat. |
|----------|-----------|---------|
| H5726X6 | 3/8" | 627 (N) |
| H5726X8 | 1/2" | 627 (N) |

Bulkhead Nut



| Part No. | ① Tube O.D. | Cat. |
|----------|-------------|---------|
| H5924X4 | 1/4" | 627 (N) |
| H5924X6 | 3/8" | 627 (N) |
| H5924X8 | 1/2" | 627 (N) |
| H5924X10 | 5/8" | 627 (N) |
| H5924X12 | 3/4" | 627 (N) |
| H5924X16 | 1" | 627 (N) |

90° Straight Thread Hose Connector



| Part No. | ① Male SAE Thread | ② Hose I.D. | Cat. |
|------------|-------------------|-------------|---------|
| H890X20X16 | 1" | 1 1/4" | 627 (N) |

Swivel Adapters

- **Typical Application:** Low, medium, and high hydraulic systems.
- **Pressure:** Up to 10,000 PSI depending on size.
- **Sealing Method:** Metal to metal, 30° cone - NPSM thread.
- **Plating:** Zinc, clear dichromate finish.

Female 37° JIC Swivel to Male Pipe



| Part No. | ①Tube O.D. | ②Male Pipe Thread | Cat. |
|-------------|------------|-------------------|---------|
| H9100X4X4 | 7/16" | 1/4" | 627 (N) |
| H9100X6X6 | 9/16" | 3/8" | 627 (N) |
| H9100X8X8 | 3/4" | 1/2" | 627 (N) |
| H9100X12X12 | 1-1/16" | 3/4" | 627 (N) |
| H9100X16X16 | 1-5/16" | 1" | 627 (N) |

Female Pipe Swivel to Male Pipe Straight



| Part No. | ①NPSM Swivel Nut | ②Male Pipe Thread | Cat. |
|-------------|------------------|-------------------|---------|
| H9205X4X4 | 1/4" | 1/4" | 627 (N) |
| H9205X4X6 | 1/4" | 3/8" | 627 (N) |
| H9205X6X4 | 3/8" | 1/4" | 627 (N) |
| H9205X6X6 | 3/8" | 3/8" | 627 (N) |
| H9205X6X8 | 3/8" | 1/2" | 627 (N) |
| H9205X8X6 | 1/2" | 3/8" | 627 (N) |
| H9205X8X8 | 1/2" | 1/2" | 627 (N) |
| H9205X8X12 | 1/2" | 3/4" | 627 (N) |
| H9205X12X8 | 3/4" | 1/2" | 627 (N) |
| H9205X12X12 | 3/4" | 3/4" | 627 (N) |
| H9205X12X16 | 3/4" | 1" | 627 (N) |
| H9205X16X12 | 1" | 3/4" | 627 (N) |
| H9205X16X16 | 1" | 1" | 627 (N) |
| H9205X20X20 | 1-1/4" | 1-1/4" | 627 (N) |
| H9205X24X24 | 1-1/2" | 1-1/2" | 627 (N) |
| H9205X32X32 | 2" | 2" | 627 (N) |

Female Pipe Swivel to Female Pipe Straight



| Part No. | ①NPSM Swivel Nut | ②Female Pipe Thread | Cat. |
|-------------|------------------|---------------------|---------|
| H9255X8X8 | 1/2" | 1/2" | 627 (N) |
| H9255X12X12 | 3/4" | 3/4" | 627 (N) |
| H9255X16X16 | 1" | 1" | 627 (N) |

Male Straight Thread to Female Pipe Swivel Straight



| Part No. | ①NPSM Swivel Nut | ②Female Pipe Thread | Cat. |
|-------------|------------------|---------------------|---------|
| H9315X4X4 | 7/16" | 1/4" | 627 (N) |
| H9315X6X6 | 9/16" | 3/8" | 627 (N) |
| H9315X6X8 | 9/16" | 1/2" | 627 (N) |
| H9315X8X6 | 3/4" | 3/8" | 627 (N) |
| H9315X8X8 | 3/4" | 1/2" | 627 (N) |
| H9315X10X8 | 7/8" | 1/2" | 627 (N) |
| H9315X10X12 | 7/8" | 3/4" | 627 (N) |
| H9315X12X12 | 1-1/16" | 3/4" | 627 (N) |
| H9315X16X16 | 1-5/16" | 1" | 627 (N) |

Female Pipe Swivel to Male Pipe 45° Elbow



| Part No. | ①NPSM Swivel Nut | ②Male Pipe Thread | Cat. |
|-------------|------------------|-------------------|---------|
| H9355X4X4 | 1/4-18 | 1/4-18 | 627 (N) |
| H9355X6X6 | 3/8-18 | 3/8-18 | 627 (N) |
| H9355X8X8 | 1/2-14 | 1/2-14 | 627 (N) |
| H9355X12X12 | 3/4-14 | 3/4-14 | 627 (N) |
| H9355X16X16 | 1-11½ | 1-11½ | 627 (N) |
| H9355X20X20 | 1¼-11½ | 1¼-11½ | 627 (N) |

Female Pipe Swivel to Female Pipe 45° Elbow



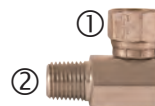
| Part No. | ①Straight Thread | ②NPSM Swivel Nut | Cat. |
|-------------|------------------|------------------|---------|
| H9385X4X4 | 1/4-18 | 1/4-18 | 627 (N) |
| H9385X6X6 | 3/8-18 | 3/8-18 | 627 (N) |
| H9385X8X8 | 1/2-14 | 1/2-14 | 627 (N) |
| H9385X12X12 | 3/4-14 | 3/4-14 | 627 (N) |

Female Pipe Swivel to Male Pipe Branch Tee



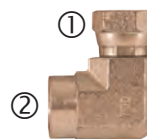
| Part No. | ①NPSM Swivel Nut | ②Male Pipe Thread | Cat. |
|-------------|------------------|-------------------|---------|
| H9406X8X8X8 | 1/2-14 | 3/4-14 | 627 (N) |

Female Pipe Swivel to Male Pipe 90° Elbow



| Part No. | ①NPSM Swivel Nut | ②Male Pipe Thread | Cat. |
|-------------|------------------|-------------------|---------|
| H9405X4X4 | 1/4-18 | 1/4-18 | 627 (N) |
| H9405X4X6 | 1/4-18 | 3/8-18 | 627 (N) |
| H9405X6X4 | 3/8-18 | 1/4-18 | 627 (N) |
| H9405X6X6 | 3/8-18 | 3/8-18 | 627 (N) |
| H9405X6X8 | 3/8-18 | 1/2-14 | 627 (N) |
| H9405X8X6 | 1/2-14 | 3/8-18 | 627 (N) |
| H9405X8X8 | 1/2-14 | 1/2-14 | 627 (N) |
| H9405X8X12 | 1/2-14 | 3/4-14 | 627 (N) |
| H9405X12X12 | 3/4-14 | 3/4-14 | 627 (N) |
| H9405X16X16 | 1-11½ | 1-11½ | 627 (N) |
| H9405X20X20 | 1¼-11½ | 1¼-11½ | 627 (N) |

Female Pipe Swivel to Female Pipe 90° Elbow



| Part No. | ①NPSM Swivel Nut | ②Female Pipe Thread | Cat. |
|-------------|------------------|---------------------|---------|
| H9455X4X4 | 1/4-18 | 1/4-18 | 627 (N) |
| H9455X8X8 | 1/2-14 | 1/2-14 | 627 (N) |
| H9455X24X24 | 1½-11½ | 1½-11½ | 627 (N) |
| H9455X32X32 | 2-11½ | 2-11½ | 627 (N) |

Male Straight Thread to Female Pipe Swivel 90° Elbow



| Part No. | ①Straight Thread | ②NPSM Swivel Nut | Cat. |
|-------------|------------------|------------------|---------|
| H9515X4X4 | 7/16-20 | 1/4-18 | 627 (N) |
| H9515X6X6 | 9/16-18 | 3/8-18 | 627 (N) |
| H9515X6X8 | 9/16-18 | 1/2-14 | 627 (N) |
| H9515X8X6 | 3/4-16 | 3/8-18 | 627 (N) |
| H9515X8X8 | 3/4-16 | 1/2-14 | 627 (N) |
| H9515X10X8 | 7/8-14 | 1/2-14 | 627 (N) |
| H9515X12X12 | 1-1/16-12 | 3/4-14 | 627 (N) |
| H9515X16X16 | 1-5/16-12 | 1-11½ | 627 (N) |

Wetline Kits

Upright Reservoir/Direct Mount Pump Hydraulic Wetline Kit



- **Kit contains:**
- Upright reservoir
- Frame bracket kit with fasteners
- Reservoir isolation package
- 46 GPM at 1800 RPM cast iron pump/valve combination with brackets
- 6' internally reinforced 1-1/4" suction hose
- Two 1-1/4" barbed adaptor fittings
- Two 1-1/4" S.S. hose clamps
- One 1" high pressure swivel adaptor
- One 1" wing type high pressure quick detach coupling
- One 6' long 1" high pressure hose

| Part No. | Description | Wt. (lbs.) | Cat. |
|---------------------|--|------------|---------|
| UWLK50DMCW | 50 Gallon Wetline Kit Clockwise Rotation - Direct - Steel Tank | 271 | 648 (N) |
| UWLK50DMCCW | 50 Gallon Wetline Kit Counterclockwise Rotation - Direct - Steel Tank | 271 | 648 (N) |
| UWLK70DMCW | 70 Gallon Wetline Kit Clockwise Rotation - Direct - Steel Tank | 320 | 648 (N) |
| UWLK70DMCCW | 70 Gallon Wetline Kit Counterclockwise Rotation - Direct - Steel Tank | 320 | 648 (N) |
| UWLK50ADM CW | 50 Gallon Wetline Kit Clockwise Rotation - Direct - Aluminum Tank | 172 | 648 (N) |
| UWLK50ADMCCW | 50 Gallon Wetline Kit Counterclockwise Rotation - Direct - Aluminum Tank | 172 | 648 (N) |
| UWLK70ADMCCW | 70 Gallon Wetline Kit Counterclockwise Rotation - Direct - Aluminum Tank | 187 | 648 (N) |
| UWLK50PDMCW | 50 Gallon Wetline Kit Clockwise Rotation - Direct - Poly Tank | 285 | 648 (N) |
| UWLK50PDMCCW | 50 Gallon Wetline Kit Counterclockwise Rotation - Direct - Poly Tank | 285 | 648 (N) |

Dual Pressure Direct Mount Pump Hydraulic Wetline Kit



- Designed to operate a live floor as well as a dump trailer
- **Kit contains:**
- Upright steel reservoir
- Frame bracket kit with fasteners
- Valve panel
- 42 GPM at 1800 RPM valve with main relief preset at 2800 PSI
- Port relief set at 2000 PSI
- Dowelled pump rated to 3000 PSI
- 100 GPM return line filter
- Sleek in cab pneumatic controls with console
- All hose, adaptors, clamps, & fittings
- 2 ball valves, 3 wing type couplers

| Part No. | Description | Wt. (lbs.) | Cat. |
|--------------------|---|------------|---------|
| DLFK50CCW | 50 Gallon Dual Pressure Counterclockwise Rotation Kit, 18 GPM Pump | 390 | 648 (N) |
| DLFK50CCW24 | 50 Gallon Dual Pressure Counterclockwise Rotation Kit, 24 GPM Pump | 390 | 648 (N) |
| DLFK50CCWSM | 50 Gallon Dual Pressure Counterclockwise Rotation Kit, 18 GPM Pump | 379 | 648 (N) |
| DLFK70CCW | 70 Gallon Dual Pressure Counter-clockwise Rotation Kit, 18 GPM Pump | 430 | 648 (N) |

50 Gal. Wetline Kit for Live Floor



- Operates Live Floor Trailer
- **Kit includes:**
- 50 gallon reservoir
- Dowelled pump w/ built in relief
- Ball valve, wing couplers, hose, fittings, clamps and adaptors
- Tank mounted filter 50 GPM
- This system is designed for optimum speed and longevity

| Part No. | Description | Wt. (lbs.) | Cat. |
|----------------|---|------------|---------|
| LFK5018 | 50 Gallon Reservoir, 18 GPM Pump-Counterclockwise | 228 | 648 (N) |
| LFK5024 | 50 Gallon Reservoir, 24 GPM Pump-Counterclockwise | 228 | 648 (N) |

Side Mount Reservoir/Direct Mount Pump Hydraulic Wetline Kit



- **Kit contains:**
- Side mount reservoir
- Reservoir bracket kit with fasteners
- 46 GPM at 1800 RPM cast iron pump/valve combination
- 6' of internally reinforced 1-1/4" suction hose
- Two 1-1/4" barbed adaptor fittings
- One 1-1/2" x 1-1/4" reducing bushing
- Two 1-1/4" S.S. hose clamps
- One 1" high pressure swivel adaptor
- One 1" wing type high pressure quick detach coupler
- One 6' long 1" high pressure hose

| Part No. | Description | Wt. (lbs.) | Cat. |
|---------------|---|------------|---------|
| SMWLK50DMCCW | 50 Gallon Wetline Kit Counterclockwise Rotation - Direct - Steel Tank | 243 | 648 (N) |
| SMWLK50PDMCW | 50 Gallon Wetline Kit Clockwise Rotation - Direct - Poly Tank | 165 | 648 (N) |
| SMWLK50PDMCCW | 50 Gallon Wetline Kit Counterclockwise Rotation - Direct - Poly Tank | 165 | 648 (N) |
| SMWLK70DMCW | 70 Gallon Wetline Kit Clockwise Rotation - Direct - Steel Tank | 261 | 648 (N) |
| SMWLK70DMCCW | 70 Gallon Wetline Kit Counterclockwise Rotation - Direct - Steel Tank | 261 | 648 (N) |

Aluminum Side Mount Reservoir Hydraulic Wetline Kit



- Direct mount pump
- Kit contains aluminum reservoir and all components that are part of our steel wetline kits

| Part No. | Description | Wt. (lbs.) | Cat. |
|---------------|--|------------|---------|
| SMWLK50ADMCCW | 50 Gallon Counterclockwise Rotation - Direct - Wetline Kit | 191 | 648 (N) |
| SMWLK70ADM CW | 70 Gallon Clockwise Rotation - Direct - Wetline Kit | 201 | 648 (N) |
| SMWLK70ADMCCW | 70 Gallon Counterclockwise Rotation - Direct - Wetline Kit | 201 | 648 (N) |

37 Gal. Wetline Kit for Live Floor



- Operates Live Floor Trailer
- **Kit includes:**
- 37 gallon reservoir
- Dowelled pump w/ built in relief
- Ball valve, wing couplers, hose, fittings, clamps and adaptors
- Tank mounted filter 50 GPM
- This system is designed for optimum speed and longevity

| Part No. | Description | Wt. (lbs.) | Cat. |
|----------|---|------------|---------|
| LFK3718 | 37 Gallon Reservoir, 18 GPM Pump-Counterclockwise | 143.3 | 648 (N) |
| LFK3724 | 37 Gallon Reservoir, 24 GPM Pump-Counterclockwise | 143.3 | 648 (N) |

D.C. Hydraulic Power Units

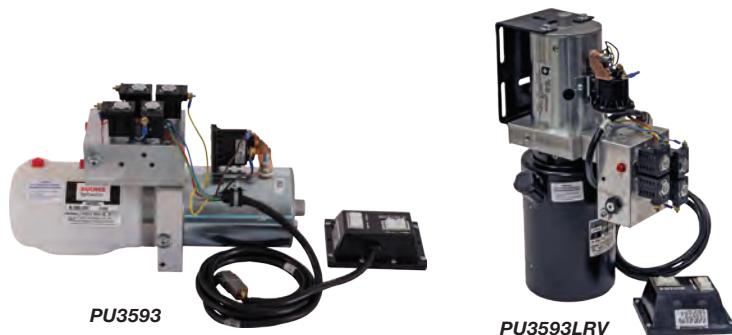
Electric 4-Way Function D.C. Power Unit



- Pump/motor/reservoir
- Externally adjustable system relief valve
- Check valve
- Cartridge valves are located outside the reservoir on PU642 & PU642LR. Inside on PU642S & PU642LRS
- 4-way function
- C-1 port is positively checked (2500 PSI), raise
- C-2 port 800 PSI, lower
- .250" NPTF outlet ports
- Factory wired control station and cable
- Triple filtration: suction, high pressure return and valve
- Horizontal mounting.
- Power Up - Power Down

| Part No. | Description | Wt. (lbs.) | Cat. |
|-----------------|---|------------|---------|
| PU642 | 5-1/2" x 6-1/2" x 10" Poly Reservoir Dimensions Only - .86 Gallon Usable (199 in ³) | 39 | 636 (N) |
| PU642S | 5-1/2" x 6-1/2" x 10" Steel Reservoir Dimensions Only - .86 Gallon Usable (199 in ³) | 39 | 636 (N) |
| PU642LR | 5-1/2" x 6-1/2" x 19" Poly Reservoir Dimensions Only - 1.87 Gallon Usable (432 in ³) | 38 | 636 (N) |
| PU642LRS | 5-1/2" x 6-1/2" x 19" Steel Reservoir Dimensions Only - 1.87 Gallon Usable (432 in ³) | 38 | 636 (N) |
| HBF12P | 3/4" Breather Cap | 0.04 | 636 (N) |
| M3100 | Replacement Motor - Light Duty, Replaces 08111 Motor | 16.50 | 600 (N) |

Electric 4-Way/3-Way Valve D.C. Power Unit



- Pump/motor/reservoir
- Externally adjustable system relief valve
- Check valve
- Cartridge valves are located outside the reservoir on manifold block.
- 4-way/3-way function
- C-1 & C2 plow angle 1200 PSI crossover relief
- C-3 2000 PSI
- .250" NPTF outlet ports
- Factory wired control station and cable
- Triple filtration: suction, high pressure return and valve
- Plow lift and Plow angle

| Part No. | Description | Wt. (lbs.) | Cat. |
|------------------|--|------------|---------|
| PU3593 | Electric 4-Way/3-Way Power Unit w/ Push Button Valves, Horizontal 1.36 Quart Reservoir | 34 | 636 (N) |
| PU3593LR | Electric 4-Way/3-Way Power Unit w/ Push Button Valves, Horizontal .83 Gallon Reservoir | 42 | 636 (N) |
| PU3593LRV | Electric 4-Way/3-Way Power Unit w/ Push Button Valves, Vertical .872 Gallon Reservoir | 42 | 636 (N) |
| HBF12P | 3/4" Breather Cap | 0.04 | 636 (N) |
| M3100 | Replacement Motor - Light Duty, Replaces 08111 Motor | 16.50 | 600 (N) |

Electric 3-Way Release Valve D.C. Power Unit



- Pump/motor/reservoir
- Externally adjustable system relief valve, check valve
- Solenoid actuated, normally closed release valve is mounted externally
- Control station is included
- Double filtration: suction filter and valve body
- .375" NPTF outlet port
- Horizontal mounting
- Power Up - Gravity Down

| Part No. | Description | Wt. (lbs.) | Cat. |
|-----------------|---|------------|---------|
| PU319 | 5-1/2" x 6-1/2" x 10" Poly Reservoir Dimensions Only - .86 Gallon Usable (199 in ³) | 33 | 636 (N) |
| PU319LR | 5-1/2" x 6-1/2" x 19" Poly Reservoir Dimensions Only - 1.87 Gallon Usable (432 in ³) | 42 | 636 (N) |
| PU319LRS | 5-1/2" x 6-1/2" x 19" Steel Reservoir Dimensions Only - 1.87 Gallon Usable (432 in ³) | 42 | 636 (N) |
| 1306510 | Solenoid, Fits 304LR, 319LR, 642LR | 0.91 | 900 (N) |
| HBF12P | 3/4" Breather Cap | 0.04 | 636 (N) |
| M3100 | Replacement Motor - Light Duty, Replaces 08111 Motor | 16.50 | 600 (N) |

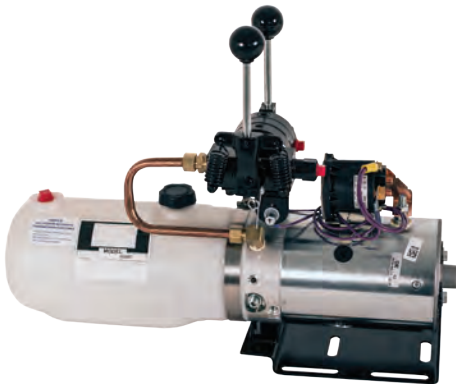
Electric 3-Way Valve Power Unit



- Pump/motor/reservoir
- Externally adjustable system relief valve, flow control on down
- .375" NPTF outlet port
- Suction filter
- Large 5½" x 6½" x 19" reservoir 715 in.3 (3 gallon usable)
- Large dump valve 8 GPM
- Control box with 6' cord
- Power Up - Gravity Down
- Horizontal mounting

| Part No. | Description | Wt. (lbs.) | Cat. |
|-----------------|---|------------|---------|
| PU303LRS | 6-1/4" x 7-1/4" x 21" 3.1 Gallon Steel Reservoir Dimensions Only (715 in ³) | 48 | 636 (N) |
| HBF12P | 3/4" Breather Cap | 0.04 | 636 (N) |
| M3100 | Replacement Motor - Light Duty, Replaces 08111 Motor | 16.50 | 600 (N) |

Manual 3-Way/4-Way Valve D.C. Power Unit



- Pump/motor/reservoir
- Externally adjustable system relief valve
- 3-way/4-way valve, banked
- 4-way valve is tandem center rotary shear type with .250" NPTF outlets
- 3-way valve has checked cylinder port and .250" NPTF outlet
- Valve assembly is fitted with electrical contacts for synchronizing valve with motor
- Rod and ball handles
- Suction filter
- Horizontal mounting
- Flow Lift, Plow Angle

| Part No. | Description | Wt. (lbs.) | Cat. |
|---------------|--|------------|---------|
| PU5007 | 4-1/2" x 10" Poly Reservoir Dimensions Only 1.8 Quart (106 in ³) | 35 | 636 (N) |
| HBF12P | 3/4" Breather Cap | 0.04 | 636 (N) |
| M3100 | Replacement Motor - Light Duty, Replaces 08111 Motor | 16.50 | 600 (N) |

Manual 3-Way Valve D.C. Power Unit



- Pump/motor/reservoir
- Externally adjust-able system relief valve
- Manually operated 3-way valve with cylinder port checked
- Electrical contact for synchronizing valve and motor
- .250" NPTF outlet
- Rod and ball handle
- Suction filter
- Horizontal mounting
- Power Up - Gravity Down

| Part No. | Description | Wt. (lbs.) | Cat. |
|---------------|---|------------|---------|
| PU5003 | 4-1/2" x 8" Poly Reservoir 1.36 Quart (79 in ³) | 32 | 636 (N) |
| HBF12P | 3/4" Breather Cap | 0.04 | 636 (N) |
| M3100 | Replacement Motor - Light Duty, Replaces 08111 Motor | 16.50 | 600 (N) |

Manual 3-Way Release Valve (Metered) D.C. Power Unit



- Pump/motor/reservoir
- Externally adjustable system relief valve
- Check valve and normally closed manually operated release valve with built-in metering for "fine control" of lowering speed
- Heavy duty motor start switch
- .250" & .375" NPTF outlet ports
- Suction filter
- Rod and ball handle
- Horizontal mounting
- Power Up - Gravity Down

| Part No. | Description | Wt. (lbs.) | Cat. |
|----------------|---|------------|---------|
| PU311 | 5-1/2" x 6-1/2" x 10" Poly Reservoir Dimensions Only - .86 Gallon Usable (199 in ³) | 32 | 636 (N) |
| PU311LR | 5-1/2" x 6-1/2" x 19" Poly Reservoir - 1.87 Gallon Usable (432 in ³) | 35 | 636 (N) |
| B63322 | Solenoid, Canister Type Fits 304LR 319, 642 Series | 0.48 | 636 (N) |
| HBF12P | 3/4" Breather Cap | 0.04 | 636 (N) |
| M3100 | Replacement Motor - Light Duty, Replaces 08111 Motor | 16.50 | 600 (N) |

D.C. Hydraulic Power Units

No Valve D.C. Power Unit



- Pump/motor/reservoir
- Externally adjustable system relief valve
- .375" NPTF outlet port
- Suction filter
- Horizontal mounting
- Includes solenoid and strap
- Pump .130 in.3/Rev. 12 Volt D.C.
- No valve can be added to unit, must use external valve

| Part No. | Description | Wt. (lbs.) | Cat. |
|----------|--|------------|---------|
| PU304 | 6" x 9" Steel Reservoir - 1 Gallon Usable (217 in ³) | 31 | 636 (N) |
| PU304LR | 6-1/4" x 7" x 15" Steel Reservoir - 2.2 Gallon Usable (510 in ³) | 41 | 636 (N) |
| 1306510 | Grounded, Fits 304LR, 319LR, 642LR | 0.91 | 900 (N) |
| HBF12P | 3/4" Breather Cap | 0.04 | 636 (N) |
| M3100 | Replacement Motor - Light Duty, Replaces 08111 Motor | 16.50 | 600 (N) |

Pump/Motor Only D.C. Power Unit



- **Pump/motor unit only**
- Requires separate self-contained reservoir and valve (**sold separately**)
- Externally adjustable system relief valve
- .375" NPTF inlet and outlet ports
- .125" NPTF relief valve exhaust port.
- **Not a replacement unit, will not fit any other units**

| Part No. | Description | Wt. (lbs.) | Cat. |
|----------|------------------------------|------------|---------|
| PU526 | Pump/Motor Only No Reservoir | 25 | 636 (N) |

Manual 4-Way Valve D.C. Power Unit



- Pump/motor/reservoir
- Externally adjustable system relief valve
- 4-way tandem center valve condenser equipped for synchronization with pump/motor
- .250" NPTF valve outlet ports
- Suction filter
- Rod and ball handle
- Horizontal mounting
- Power Up - Power Down

| Part No. | Description | Wt. (lbs.) | Cat. |
|----------|--|------------|---------|
| PU310 | 6" x 9" Steel Reservoir - 1 Gallon Usable (217 in ³) | 35 | 636 (N) |
| PU310LR | 6-1/4" x 7" x 15" Steel Reservoir - 2.2 Gallon Usable (510 in ³) | 45 | 636 (N) |
| 1306505 | Insulated, Fits 310LR | 0.83 | 900 (N) |
| HBF12P | Replacement Filler Cap | 0.04 | 635 (N) |
| M3100 | Replacement Motor - Light Duty, Replaces 08111 Motor | 16.50 | 600 (N) |

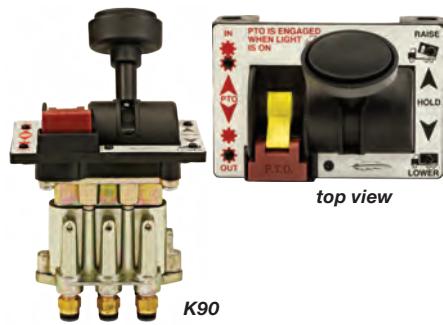
PNEUMATICS

Buyers Pneumatics consist of a full line of controls, valves and gauges to operate air systems.



Air Control Valves & Consoles

P.T.O./Pump Valve



- Controlled Lowering (Feathering)
- Automatic Disengagement of the P.T.O. in "Lower" (K90)
- *Note:* Dead Man Control - Hoist lever returns to neutral position and stops motion when released on K90D only

| Part No. | Description | Wt. (lbs.) | Cat. |
|----------|---|------------|---------|
| K90 | Standard Valve | 3.16 | 645 (N) |
| K90D | Valve w/ Spring Return Raise (Dead Man Control) | 3.16 | 645 (N) |

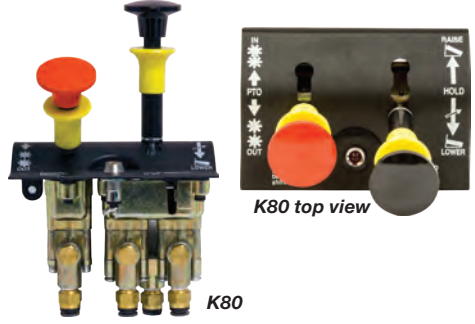
Air Control Valves



- 5-way, 3-position, stackable air control valve with a push button auxiliary function
- Capable of many applications including P.T.O./Hoist control
- Movement of the handle in either direction allows controlled pressure output to work ports 'A' or 'B' respectively, in a proportional manner, allowing feathering

| Part No. | Description | Wt. (lbs.) | Cat. |
|-----------|--|------------|---------|
| K70DF | Valve - P.T.O./Hoist, Feather Down | 2.60 | 645 (N) |
| K70C | Console for K70DF, 3-1/2 x 6-3/4 x 10" | 2.75 | 645 (N) |
| K70DFD | Valve - Hoist, Feather Down, Center Detent | 3.00 | 645 (N) |
| K70DFNKO | Valve - Hoist, Feather Down, Non-Disengage on PTO Function | 3.00 | 645 (N) |
| K70DETCIP | K70 Series Valve Dentent Clip | 0.02 | 645 (N) |

K80 Series Valves



- For Dump Trucks, Dump Trailer, Transfer Trailer, Live Floor Trailer, Asphalt/Live Bottom Trailer, Bottom Dump, Side Dump, Platform Dump, and others
- **NOTE:** White Sleeve = Feathering / Orange Sleeve = Automatic Disengage K80F, K80DF, K85F, K85DF provide full range feathering qualities (valve regulates pressure from 10 to 125 P.S.I.)

| Part No. | Description | Color Code | | Wt. (lbs.) | Cat. |
|----------|--|-------------------|---------------------|------------|---------|
| | | Pump Lever Sleeve | P.T.O. Lever Sleeve | | |
| K80 | Non-Feathering, Non-Disengage, Non-Return P.T.O./Pump Valve | Yellow | Yellow | 2.45 | 645 (N) |
| K80D | Non-Feathering, Non-Disengage, Spring Return P.T.O./Pump Valve | Yellow | Yellow | 2.45 | 645 (N) |
| K80F | Feathering, Non-Disengage, Non-Return P.T.O./Pump Valve | White | Yellow | 2.65 | 645 (N) |
| K80DF | Feathering, Non-Disengage, Spring Return P.T.O./Pump Valve | White | Yellow | 2.65 | 645 (N) |
| K85F | Feathering, Disengage, Non-Return P.T.O./Pump Valve | White | Orange | 2.65 | 645 (N) |
| K85DF | Feathering, Disengage, Spring Return, P.T.O./Pump Valve | White | Orange | 2.65 | 645 (N) |

Air P.T.O./Air Hoist Console



- Black powder coated steel console
- Top panel punched and lettered for mounting a CHELSEA type P.T.O. air valve and a WILLIAMS type hoist air valve
- 5/8" diameter capped hole for air tailgate switch or PTO light is standard
- For blank top console see page K7

| Part No. | Description | Wt. (lbs.) | Cat. |
|----------|--|------------|---------|
| AC010 | Air P.T.O./Air Hoist Console, 14-1/8" High | 12.0 | 220 (N) |
| SAC010 | Air P.T.O./Air Hoist Console, 6-1/2" High | 6.0 | 220 (N) |

Air P.T.O./Air Hoist Console



- Black powder coated steel console
- Top panel punched and lettered for mounting a MUNCIE type P.T.O. air valve and a WILLIAMS type hoist air valve
- 5/8" diameter capped hole for air tailgate switch or PTO light is standard
- For blank top console see page K7

| Part No. | Description | Wt. (lbs.) | Cat. |
|----------|--|------------|---------|
| AC010M | Air P.T.O./Air Hoist Console, 14-1/8" High | 12.0 | 220 (N) |
| SAC010M | Air P.T.O./Air Hoist Console, 6-1/2" High | 6.0 | 220 (N) |

Consoles for K80 & K90 Series Valves



- Consoles designed to fit the following valves:
K80, K80D, K81, K80F, K80DF, K85F, K85DF, K90, K90D

| Part No. | Description | Wt. (lbs.) | Cat. |
|----------|--|------------|---------|
| K90C | Single Cabinet, 3-1/4"W x 4-3/4"D x 8"H | 2.0 | 645 (N) |
| K90TC | Single Cabinet, 3-1/4"W x 4-3/4"D x 14"H | 4.0 | 645 (N) |
| K90LC | Single Cabinet, 7-1/8"W x 6-1/8"D x 14-1/8"H | 2.0 | 645 (N) |
| K90TGC | Console only, 3-3/8"W x 6-3/4"D x 14H, accepts K80/K90 plus BAV010 | 3.5 | 645 (N) |

Air Control Valves

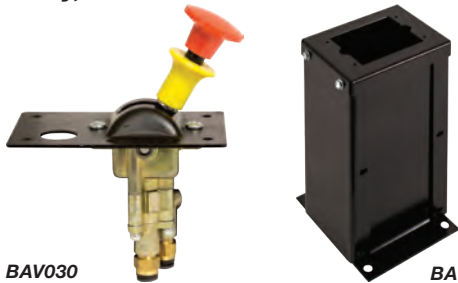
Toggle Style Air Valve Kit



- Spring return brass air feathering toggle valve
- Brass push lock fittings
- 25' x 1/4" dia. nylon D.O.T. approved tubing
- Console adapter plate
- Stainless steel finger guard

| Part No. | Description | Wt. (lbs.) | Cat. |
|-----------------|--|------------|---------|
| K1010TAS | Toggle Style Air Valve Kit, Momentary Switch | 1.26 | 645 (N) |

3-Way, 2-Position Air Valve



- 3-way 2-position detented
- Manual air valve used for engaging PTO's
- On/Off action only

| Part No. | Description | Wt. (lbs.) | Cat. |
|----------------|---|------------|---------|
| BAV030 | 3-Way 2-Position, Manual Air Valve | 0.90 | 645 (N) |
| BAV030B | Bulb for BAV030 Valve | 0.31 | 639 (N) |
| BAV030C | Console for BAV030, 3.69" x 4.875" x 9" | 0.3 | 645 (N) |

Neutral Lockout Air Valve Kit



- Spring return neutral lockout air valve
- Brass push lock fittings
- 25' x 1/4" dia. tubing
- Non-feathering

| Part No. | Description | Wt. (lbs.) | Cat. |
|----------------|---|------------|---------|
| K1010AS | Neutral Lockout Air Valve Kit, Non-Feathering | 2.40 | 645 (N) |
| BAV040 | 4-Way, 3 Position Air Valve, Only, Non-Feathering | 2.00 | 645 (N) |

Neutral Lockout/Feathering Air Valve Kit



- Spring return neutral lockout feathering valve
- Brass push lock fittings
- 25' x 1/4" dia. tubing

| Part No. | Description | Wt. (lbs.) | Cat. |
|------------------|--|------------|---------|
| K1010FAS | Neutral Lockout/Feathering Air Valve Kit | 2.40 | 645 (N) |
| K1010FAS1 | Neutral Lockout/Feathering Air Valve Only (fittings and tubing not included) | 1.57 | 645 (N) |
| K1010C | Console for K1010AS and K1010FAS, 3.69" x 4.875" x 9" | 5.94 | 645 (N) |

Neutral Lockout Toggle with 3 Position Detents



| Part No. | Description | Wt. (lbs.) | Cat. |
|-----------------|---------------------------------------|------------|---------|
| BAV020TD | Toggle 3 Position Detented Valve Only | 1.00 | 645 (N) |
| BAV020T | Toggle Valve Only, Momentary Switch | 1.00 | 645 (N) |

Air Shift Cylinder for Hydraulic Pump w/ Manual Valve



- Converts manual pump operation to pneumatically controlled pump
- Complete with pump activator cylinder and mounting hardware
- Valve, tubing, fitting, and bracket kit are sold separately.
- Compares to Commercial C101/C102, Buyers BPC1010, Muncie E Series, Permco DMD25/DM640, Tyrone T101/T102*

| Part No. | Description | Wt. (lbs.) | Cat. |
|--------------|---|------------|---------|
| AS301 | Air Shift Cylinder | 2.34 | 646 (N) |
| AS302 | Air Shift Cylinder with Tubing & Fittings (NT04025 & BE90M25P125) | 2.65 | 646 (N) |

Air Shift Cylinder for Hydraulic Pump w/ Manual Valve



- Converts manual pump operation to pneumatically controlled pump
- Complete with pump activator cylinder and mounting hardware
- Valve, tubing, fitting, and bracket kit are sold separately.
- Compares to Commercial G101/G102*

| Part No. | Description | Wt. (lbs.) | Cat. |
|---------------|--------------------|------------|---------|
| BASK16 | Air Shift Cylinder | 1.43 | 646 (N) |

Air Shift Cylinder for Hydraulic Pump w/ Manual Valve



- Converts manual pump operation to pneumatically controlled pump
- Complete with pump activator cylinder and mounting hardware
- Valve, tubing, fitting, and bracket kit are sold separately.
- Compares to Buyers H101/H102, Permco DM300/DM400*

| Part No. | Description | Wt. (lbs.) | Cat. |
|----------------|--------------------|------------|---------|
| BASK16P | Air Shift Cylinder | 1.38 | 646 (N) |

* Buyers Products is not authorized by nor affiliated with the manufacturer of Commercial, Permco, Tyrone, or Muncie® products.

Air Tailgate Valves

4-Way, 2-Position Air Valve



- 4-way, 2-position air valve
- Panel mounted valve is ideal for operating double acting cylinders
- Mounts in dashboards or consoles
- Requires 1/2" dia. hole for mounting
- (5) 1/8" NPT ports
- Includes tailgate control faceplate
- See complete line of air tailgate cylinders on page H18

| Part No. | Description | Wt. (lbs.) | Cat. |
|----------|---|------------|---------|
| BAV010 | 4-Way, 2-Position Air Valve 1/8" N.P.T. Ports | 0.50 | 645 (N) |

4-Way, Manual Air Valve



- 4-way, 3-position air valve
- Detented spool allows for adjusting linkage without shutting off air pressure
- Center position blocks air at valve while opening both cylinder ports to atmosphere
- Requires 5/8" dia. hole for mounting
- (5) Large 1/4" NPT ports
- Anodized aluminum

| Part No. | Description | Wt. (lbs.) | Cat. |
|----------|--|------------|---------|
| BAV015 | 4-Way, 3-Position Air Valve (5) 1/4" NPT Ports | 0.67. | 645 (N) |

4-Way, Manual Air Valve



- 4-way manual air valve
- 3-position detented spool allows for adjusting linkage without shutting off air pressure
- Center position blocks air at valve while opening both cylinder ports to atmosphere
- (5) Large 1/4" NPT ports allow maximum air flow
- Requires a 5/8" mounting hole
- Die Cast Zinc

| Part No. | Description | Wt. (lbs.) | Cat. |
|----------|---|------------|---------|
| BAV020 | 4-Way, 3-Position Air Valve; (5) 1/4" NPT Ports | 1.86 | 645 (N) |

4-Way, 2-Position Solenoid Valve



- 5 port, 4-way, 2-position solenoid valve
- Large 1/4" N.P.T. ports assure adequate air flow
- Rugged 12 V.D.C. coil comes complete with 2' flying leads
- Can be easily converted to 3-way operation by installing 2 pipe plugs

| Part No. | Description | Wt. (lbs.) | Cat. |
|----------|----------------------------------|------------|---------|
| BAV050SA | 4-Way, 2-Position Solenoid Valve | 1.21 | 645 (N) |

Hose Reels



- Dual pedestal base & formed support arms
- Durable black powder coat finish
- Fully enclosed heavy-duty spring
- Full flow steel axle, 90° balanced pressure, sealed brass swivel joint
- Declutching gear protects spring from reverse winding
- Four direction, anti-snag roller guide
- 1/2" Male NPT inlet & outlet
- Durable, black or red exterior grade hose w/ crimped fitting rated for 300 PSI air/water
- Maximum hose temperature 210° F/100° C

| Part No. | Description | Wt. (lbs.) | Cat. |
|----------|--|------------|---------|
| HR3850 | 3/8" x 50' Black Hose & Steel Reel (air/water) | 49.50 | 570 (N) |
| HR1250 | 1/2" x 50' Black Hose & Steel Reel (air/water) | 58.50 | 570 (N) |

Filter/Regulator/Lubricator



- Compact design, 9-1/2" L x 4-1/2" W x 7-1/2" H
- Metal bowls w/sight glass, quick detach
- Manual moisture drain
- Replaceable filter
- Die cast, modular design w/built-in mounts
- Lubricator can be unbolted
- 50-150 PSI gauge included
- 41° F - 140° F temperature range

| Part No. | Description | Wt. (lbs.) | Cat. |
|----------|---|------------|---------|
| FRL12150 | Pneumatic Filter/Reg./Lub. 1/2" NPT, 141 CFM, 150 PSI | 5.30 | 570 (N) |

Push-Pull Switch



- Normally open switch is designed to operate tailgate solenoid valves
- Can be mounted in dash-boards or consoles
- 1/2" dia. hole is required
- Tailgate control faceplate is included
- Can be used with BAV050SA

| Part No. | Description | Wt. (lbs.) | Cat. |
|----------|------------------|------------|---------|
| BSW050 | Push-Pull Switch | 0.20 | 645 (N) |

1/4" NPT Breather



- Breather Vent
- Max Pressure 150 PSI
- Max Temp 300 F
- 40 Microns

| Part No. | Description | Wt. (lbs.) | Cat. |
|----------|-------------------|------------|---------|
| BAV02002 | 1/4" NPT Breather | 0.57 | 645 (N) |

Air Valves, Pressure Gauge, Control Assemblies

Universal 3-Way Toggle Valve



- (3) 1/8" NPT Ports
- 174 PSI

| Part No. | Description | Wt. (lbs.) | Cat. |
|----------|---|------------|---------|
| 6451000 | Toggle Air Valve w/Faceplate, 174 PSI, 1/8" NPT Ports | 0.30. | 645 (N) |

Toggle Air Valve



- 4-way
- 5-port, 1/8" NPT
- Commonly used with lift axle controllers
- 2-position
- 150 PSI
- Compares to Parker® #410811000*

| Part No. | Description | Wt. (lbs.) | Cat. |
|----------|-----------------------------|------------|---------|
| 6451030 | Toggle Valve, 4-way, 5-port | 0.50 | 645 (N) |

Pressure Protection Air Valve



- 1/4" NPT Ports
- 70 PSI Closing

| Part No. | Description | Wt. (lbs.) | Cat. |
|----------|---|------------|---------|
| 6451005 | Pressure Protection Air Valve, 70 PSI Closing; 1/4" NPT Ports | 0.53 | 645 (N) |

Pressure Gauge



- 2" Dial
- 0-160 PSI
- 1/8" NPT Male
- 12 VDC backlit gauge
- Compares to Parker® #AM-2.0-150MMPM

| Part No. | Description | Wt. (lbs.) | Cat. |
|----------|----------------|------------|---------|
| 6451035 | Pressure Gauge | 0.23 | 645 (N) |

Universal Air Drain Valve



- Universal
- Automatic, self-closing
- 5' cable, vinyl coated
- Uncrimped end for adjustable length (clip included)
- 1/4" NPTF male thread

| Part No. | Description | Wt. (lbs.) | Cat. |
|----------|---------------------------|------------|---------|
| 6451010 | Universal Air Drain Valve | 0.24 | 645 (N) |

Lift Axle Control Assemblies w/Push Pull Air Valve



- In cab controls for air suspension and lift axle
- Pre-plumbed and assembled
- Fittings/DOT tubing and mounting plate included
- 7.25"L x 3.75"T Steel mounting plate is pre-drilled & powder coated
- Available in single or double acting
- Individual components also available

| Part No. | Description | Wt. (lbs.) | Cat. |
|----------|--|------------|---------|
| 6451050 | Lift Axle Control Assy., 1/4" dia. Nylon Tubing, Single Acting | 2.40. | 645 (N) |
| 6451055 | Lift Axle Control Assy., 3/8" dia. Nylon Tubing, Double Acting | 2.50 | 645 (N) |

Pressure Regulator



- Relieving Type
- (2) 1/8" NPTF Work Ports
- (2) 1/8" Gauge Ports
- (2) Plugs
- Maximum inlet pressure: 300 PSI
- Regulating Range: 2-160 PSI
- Locking Knob
- Compares to Parker® #14R013FC* with #P01531* nut

| Part No. | Description | Wt. (lbs.) | Cat. |
|----------|--------------------|------------|---------|
| 6451025 | Pressure Regulator | 0.40 | 645 (N) |

Lift Axle Control Assemblies w/Toggle Air Valve



- In cab controls for air suspension and lift axle
- Pre-plumbed and assembled
- Fittings/DOT tubing and mounting plate included
- 7.25"L x 3.75"T Steel mounting plate is pre-drilled & powder coated
- Single acting
- Individual components also available

| Part No. | Description | Wt. (lbs.) | Cat. |
|----------|--|------------|---------|
| 6451051 | Lift Axle Control Assy., 1/4" dia. Nylon Tubing, Single Acting | 2.43 | 645 (N) |

* Buyers Products is not authorized by nor affiliated with the manufacturer of Parker® products.

Brass D.O.T. Push-In Air Fittings

- Brass construction
- Meet D.O.T. FMVSS 571.106 air brake performance specifications

Union Connector



| Part No. | Tube O.D. | Cat. |
|----------|-----------|---------|
| BUCOP25 | 1/4" | 649 (N) |
| BUCOP375 | 3/8" | 649 (N) |

Union Tee



| Part No. | Tube O.D. | Cat. |
|----------|-----------|---------|
| BUTOP25 | 1/4" | 649 (N) |
| BUTOP375 | 3/8" | 649 (N) |

Male Connector



| Part No. | Tube O.D. | Pipe Thread | Cat. |
|--------------|-----------|-------------|---------|
| BC00M25P125 | 1/4" | 1/8" | 649 (N) |
| BC00M25P25 | 1/4" | 1/4" | 649 (N) |
| BC00M375P25 | 3/8" | 1/4" | 649 (N) |
| BC00M375P375 | 3/8" | 3/8" | 649 (N) |

Male Elbow



| Part No. | Tube O.D. | Pipe Thread | Cat. |
|--------------|-----------|-------------|---------|
| BE90M25P125 | 1/4" | 1/8" | 649 (N) |
| BE90M25P25 | 1/4" | 1/4" | 649 (N) |
| BE90M375P25 | 3/8" | 1/4" | 649 (N) |
| BE90M375P375 | 3/8" | 3/8" | 649 (N) |

Swivel Male Elbow



| Part No. | Tube O.D. | Pipe Thread | Cat. |
|---------------|-----------|-------------|---------|
| BE90M25P125S | 1/4" | 1/8" | 649 (N) |
| BE90M25P25S | 1/4" | 1/4" | 649 (N) |
| BE90M375P25S | 3/8" | 1/4" | 649 (N) |
| BE90M375P375S | 3/8" | 3/8" | 649 (N) |

Male Run Tee



| Part No. | Tube O.D. | Pipe Thread | Cat. |
|-------------|-----------|-------------|---------|
| BRT0M25P125 | 1/4" | 1/8" | 649 (N) |

Swivel Male Run Tee



| Part No. | Tube O.D. | Pipe Thread | Cat. |
|--------------|-----------|-------------|---------|
| BRT0M25P125S | 1/4" | 1/8" | 649 (N) |

Swivel Male Branch Tee



| Part No. | Tube O.D. | Pipe Thread | Cat. |
|---------------|-----------|-------------|---------|
| BBT0M25P125S | 1/4" | 1/8" | 649 (N) |
| BBT0M25P25S | 1/4" | 1/4" | 649 (N) |
| BBT0M375P25S | 3/8" | 1/4" | 649 (N) |
| BBT0M375P375S | 3/8" | 3/8" | 649 (N) |

D.O.T. Nylon Air Tubing



| Part No. | Color | Tube O.D. | Length (ft.) | Wt (lbs.) | Cat. |
|----------|--------|-----------|--------------|-----------|---------|
| NT04100 | Black | 1/4" | 100 | 1.71 | 649 (N) |
| NT04250 | Black | 1/4" | 250 | 3.53 | 649 (N) |
| NT06100 | Black | 3/8" | 100 | 3.19 | 649 (N) |
| NT06500 | Black | 3/8" | 500 | 15.5 | 649 (N) |
| NT08100 | Black | 1/2" | 100 | 5.75 | 649 (N) |
| NT08500 | Black | 1/2" | 500 | 22.25 | 649 (N) |
| NT10100 | Black | 5/8" | 100 | 9.0 | 649 (N) |
| NT10250 | Black | 5/8" | 250 | 21.2 | 649 (N) |
| NT12050 | Black | 3/4" | 50 | 5.0 | 649 (N) |
| NTB04100 | Blue | 1/4" | 100 | 1.22 | 649 (N) |
| NTB06100 | Blue | 3/8" | 100 | 3.19 | 649 (N) |
| NTG06100 | Green | 3/8" | 100 | 2.80 | 649 (N) |
| NTY04100 | Yellow | 1/4" | 100 | 1.24 | 649 (N) |
| NTR04100 | Red | 1/4" | 100 | 1.71 | 649 (N) |
| NTR06100 | Red | 3/8" | 100 | 4.00 | 649 (N) |

More available sizes on our website:
www.buyersproducts.com



Brass/Poly D.O.T. Push-In Air Fittings

Brass/Poly D.O.T. Push-In Air Fittings

- Brass/Poly construction
- Meet D.O.T. FMVSS 571.106 air brake performance specifications

Union Connector



| Part No. | Tube O.D. | Cat. |
|----------|-----------|---------|
| NUC0P25 | 1/4" | 649 (N) |
| NUC0P375 | 3/8" | 649 (N) |
| NUC0P500 | 1/2" | 649 (N) |
| NUC0P625 | 5/8" | 649 (N) |
| NUC0P750 | 3/4" | 649 (N) |

Union Tee



| Part No. | Tube O.D. | Cat. |
|----------|-----------|---------|
| NUT0P25 | 1/4" | 649 (N) |
| NUT0P375 | 3/8" | 649 (N) |

Union Elbow



| Part No. | Tube O.D. | Cat. |
|-----------|-----------|---------|
| NUE90P25 | 1/4" | 649 (N) |
| NUE90P375 | 3/8" | 649 (N) |

Male Connector



| Part No. | Tube O.D. | Pipe Thread | Cat. |
|--------------|-----------|-------------|---------|
| NC00M25P125 | 1/4" | 1/8" | 649 (N) |
| NC00M25P25 | 1/4" | 1/4" | 649 (N) |
| NC00M375P25 | 3/8" | 1/4" | 649 (N) |
| NC00M375P375 | 3/8" | 3/8" | 649 (N) |

Swivel Male Elbow



| Part No. | Tube O.D. | Pipe Thread | Cat. |
|---------------|-----------|-------------|---------|
| NE90M25P125S | 1/4" | 1/8" | 649 (N) |
| NE90M25P25S | 1/4" | 1/4" | 649 (N) |
| NE90M375P25S | 3/8" | 1/4" | 649 (N) |
| NE90M375P375S | 3/8" | 3/8" | 649 (N) |

Swivel Male Run Tee



| Part No. | Tube O.D. | Pipe Thread | Cat. |
|--------------|-----------|-------------|---------|
| NRT0M25P125S | 1/4" | 1/8" | 649 (N) |

Swivel Male Branch Tee



| Part No. | Tube O.D. | Pipe Thread | Cat. |
|---------------|-----------|-------------|---------|
| NBT0M25P125S | 1/4" | 1/8" | 649 (N) |
| NBT0M25P25S | 1/4" | 1/4" | 649 (N) |
| NBT0M375P375S | 3/8" | 3/8" | 649 (N) |

More available sizes on our website:
www.buyersproducts.com



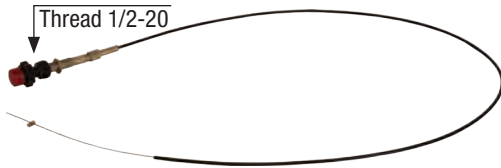
CABLES & CONTROLS

Buyers Products Cables & Controls has the lengths, materials and connections to fit your application needs. From shifters to valves to throttle controls and more.



Vernier Cables

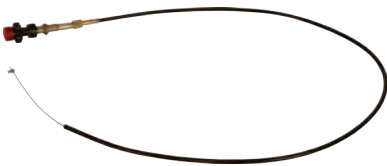
3100-Series Vernier Adjustable Locking Control Cables



- 3/4-16 UNF
- .260 diameter conduit
- .075 dia. stainless steel core

| Part No. | Description | Wt. (lbs.) | Cat. |
|-------------|---|------------|---------|
| VCGT3100X06 | 6' Vernier Adjustable Locking Control Cables | 1.94 | 140 (Y) |
| VCGT3100X10 | 10' Vernier Adjustable Locking Control Cables | 2.19 | 140 (Y) |
| VCGT3100X15 | 15' Vernier Adjustable Locking Control Cables | 2.63 | 140 (Y) |
| VCGT3100X20 | 20' Vernier Adjustable Locking Control Cables | 2.96 | 140 (Y) |
| VCGT3100X25 | 25' Vernier Adjustable Locking Control Cables | 3.28 | 140 (Y) |
| VCGT3100X30 | 30' Vernier Adjustable Locking Control Cables | 3.65 | 140 (Y) |

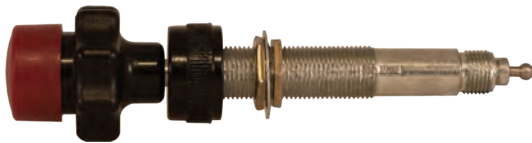
4100-Series Vernier Heavy-Duty Adjustable Locking Control Cables



- 3/4-16 UNF
- .375 diameter conduit
- .088 dia. stainless steel core

| Part No. | Description | Wt. (lbs.) | Cat. |
|----------|--|------------|---------|
| VCGTX06 | 6' Vernier Heavy-Duty Adjustable Locking Control Cables | 2.25 | 140 (Y) |
| VCGTX10 | 10' Vernier Heavy-Duty Adjustable Locking Control Cables | 2.75 | 140 (Y) |
| VCGTX15 | 15' Vernier Heavy-Duty Adjustable Locking Control Cables | 3.38 | 140 (Y) |
| VCGTX20 | 20' Vernier Heavy-Duty Adjustable Locking Control Cables | 4.00 | 140 (Y) |
| VCGTX25 | 25' Vernier Heavy-Duty Adjustable Locking Control Cables | 4.63 | 140 (Y) |
| VCGTX30 | 30' Vernier Heavy-Duty Adjustable Locking Control Cables | 5.00 | 140 (Y) |
| VCGTX35 | 35' Vernier Heavy-Duty Adjustable Locking Control Cables | 5.88 | 140 (Y) |

Vernier Adjustable Locking Control Cable Replacement Head



- O-Ring sealed plunger assembly suitable for exterior applications
- Adjustable friction collet assures stable settings in the presence of severe vibration
- Dual lock balls provide increased load range & extended plunger life

| Part No. | Description | Wt. (lbs.) | Cat. |
|----------|-------------------------|------------|---------|
| VCGTH0 | Vernier Cable Head Only | 1.00 | 140 (Y) |

Mack®* Replacement Throttle Cable, Stop Cable

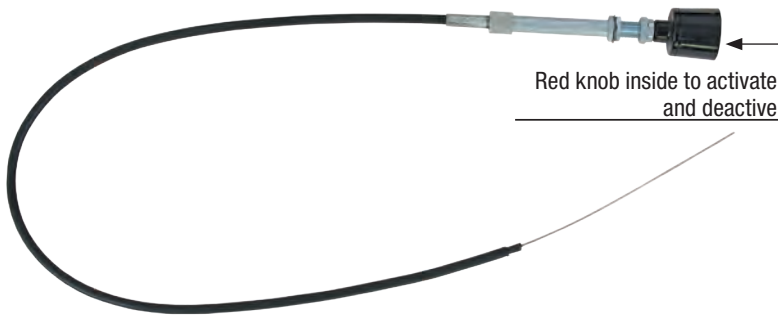


- Designed for panels with 5/8" square mounting holes
- Easily trim to size

| Part No. | Description | Wt. (lbs.) | Cat. |
|----------|-----------------|------------|---------|
| R109 | 108" Stop Cable | 0.75 | 210 (Y) |

* Buyers Products is not authorized by nor affiliated with the manufacturer of Mack® products.

Plain End - 5" Travel

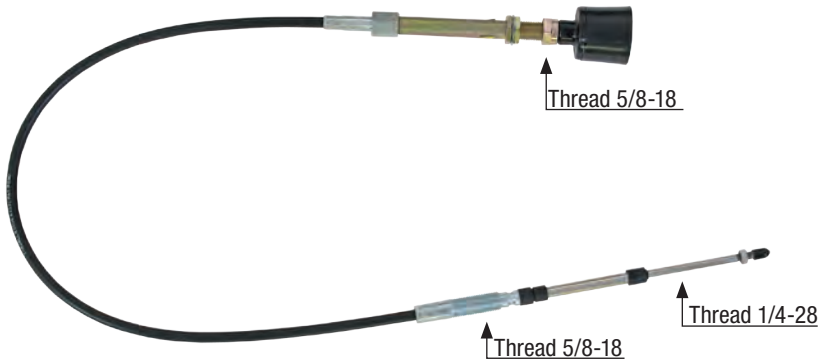


- Mid-latch controls satisfy OSHA requirements for latching hoist controls for dump body applications.
- Ideal for operating hydraulic valves and forward-reverse P.T.O.s
- 5" of total travel (2-1/2" on both sides of the center detent)
- Standard 3/8" conduit
- .091 stainless steel core wire
- Can be cut to length by the installer

| Part No. | Cable Length | Wt. (lbs.) | Cat. |
|-----------|--------------|------------|---------|
| R38LL5X08 | 8' | 2.53 | 181 (Y) |
| R38LL5X10 | 10' | 2.64 | 181 (Y) |
| R38LL5X12 | 12' | 3.20 | 181 (Y) |
| R38LL5X15 | 15' | 3.32 | 181 (Y) |
| R38LL5X20 | 20' | 3.97 | 181 (Y) |

See pgs. K17-K18 for Rod and Clevis Assemblies
 See pgs. K21-K23 for Hardware & Accessories

Rod End - 3" Travel



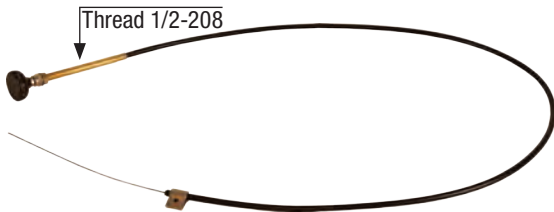
- Mid-latch controls satisfy OSHA requirements for latching hoist controls for dump body applications.
- Ideal for operating hydraulic valves and forward-reverse P.T.O.s
- 3" of total travel (1-1/2" on both sides of the center detent).
- 1/4" stainless steel output rod
- Universal style bulkhead/clamp conduit fitting
- Factory lubricated and sealed.

| Part No. | Cable Length | Wt. (lbs.) | Cat. |
|------------|--------------|------------|---------|
| R38LLR3X08 | 8' | 2.70 | 181 (Y) |
| R38LLR3X10 | 10' | 2.88 | 181 (Y) |
| R38LLR3X12 | 12' | 3.19 | 181 (Y) |

See pgs. K17-K18 for Rod and Clevis Assemblies
 See pgs. K21-K23 for Hardware & Accessories

Mid-Latch Cable Controls & Valve Control Cables

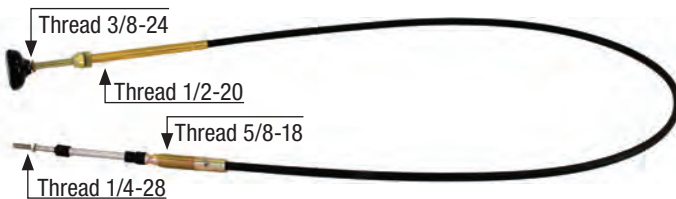
R38D-Series 5" Travel Stainless Steel Core Wire



- Part No. 65 Knob
- 3/8" - 24 THD. & 1/2" - 20 THD.
- .375 diameter conduit
- .088 diameter stainless steel core
- Long lay construction
- Includes Clip as shown (Part No. 4100)

| Part No. | Description | Wt. (lbs.) | Cat. |
|----------|------------------|------------|---------|
| R38D6X06 | 6' SS Core Wire | 2.13 | 160 (Y) |
| R38D6X08 | 8' SS Core Wire | 2.13 | 160 (Y) |
| R38D6X10 | 10' SS Core Wire | 2.34 | 160 (Y) |
| R38D6X12 | 12' SS Core Wire | 2.75 | 160 (Y) |
| R38D6X15 | 15' SS Core Wire | 3.00 | 160 (Y) |
| R38D6X20 | 20' SS Core Wire | 3.63 | 160 (Y) |
| R38D6X25 | 25' SS Core Wire | 4.25 | 160 (Y) |
| R38D6X30 | 30' SS Core Wire | 4.88 | 160 (Y) |

R38DR-Series 3" Travel Stainless Steel Core Wire w/ Rod End Control



- Part No. 65 Knob
- 1/2" - 20 THD., 5/8" - 18 THD., & 1/4" - 28 THD.
- .375 diameter conduit
- .088 diameter stainless steel core
- Long lay construction
- *Order nuts and washers separately. Shown with combination bulkhead and clamp mount. For Bulkhead applications order BNW015 Nut & Washer Kit.*

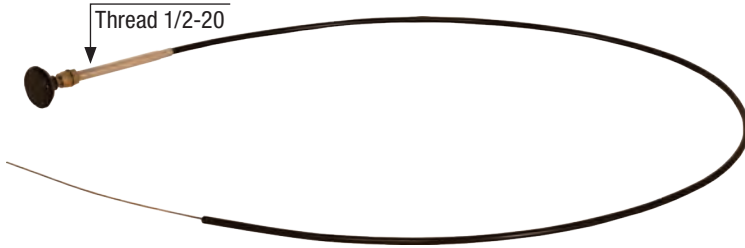
| Part No. | Description | Wt. (lbs.) | Cat. |
|-----------|-------------------------------------|------------|---------|
| R38DR3X04 | 4' SS Core Wire w/ Rod End Control | 1.88 | 180 (Y) |
| R38DR3X06 | 6' SS Core Wire w/ Rod End Control | 2.13 | 180 (Y) |
| R38DR3X08 | 8' SS Core Wire w/ Rod End Control | 2.38 | 180 (Y) |
| R38DR3X10 | 10' SS Core Wire w/ Rod End Control | 2.63 | 180 (Y) |
| R38DR3X12 | 12' SS Core Wire w/ Rod End Control | 2.88 | 180 (Y) |
| R38DR3X15 | 15' SS Core Wire w/ Rod End Control | 3.25 | 180 (Y) |
| BNW015 | Nut & Washer Kit | .29 | 300 (N) |

Imprinted Knob for P.T.O. and Pump Cable



| Replacement Part & Accessories | | | |
|--------------------------------|--|------------|---------|
| Part No. | Description | Wt. (lbs.) | Cat. |
| 65 | Imprinted Knob for P.T.O. & Pump Cable | 0.13 | 290 (N) |

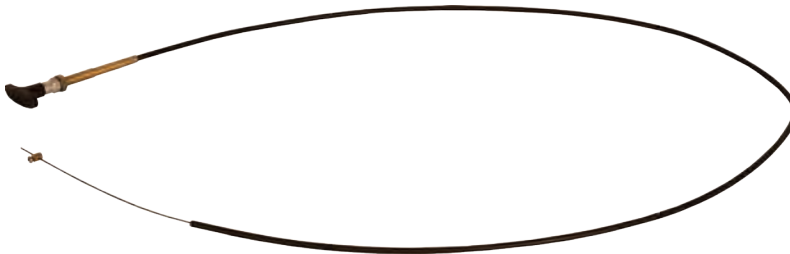
R05B-Series 5" Travel Control Cables



- Comparable to Chelsea®* cables
- Part No. 65 Knob
- 3/8" - 24 THD. & 1/2" - 20 THD
- .312 diameter spiral wound conduit
- .085 diameter stainless steel core
- *Spiral wound conduit can be cut with side cutting pliers*

| Part No. | Description | Wt. (lbs.) | Cat. |
|----------|--------------------------------------|------------|---------|
| R05B5X06 | 6' Long w/ 5" Travel Control Cables | 1.94 | 161 (Y) |
| R05B5X10 | 10' Long w/ 5" Travel Control Cables | 2.38 | 161 (Y) |
| R05B5X15 | 15' Long w/ 5" Travel Control Cables | 3.05 | 161 (Y) |

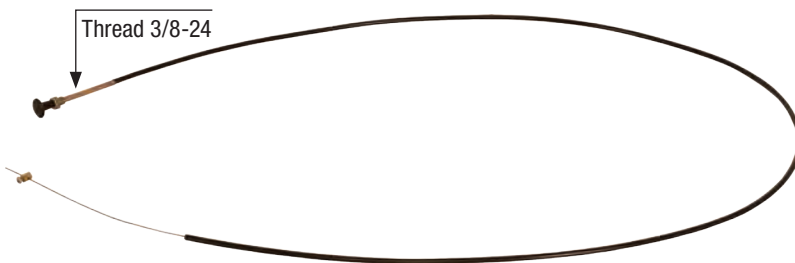
R09D-Series 3-1/2" Travel, Heavy-Duty T-Handle Locking Cables



- 7/16" - 20 THD. & 1/2" - 20 THD.
- .260 diameter conduit
- .073 diameter oil tempered core

| Part No. | Description | Wt. (lbs.) | Cat. |
|------------|--|------------|---------|
| R09D3.5X06 | 6' Heavy-Duty T-Handle Locking Cables | 1.38 | 150 (Y) |
| R09D3.5X10 | 10' Heavy-Duty T-Handle Locking Cables | 1.63 | 150 (Y) |
| R09D3.5X15 | 15' Heavy-Duty T-Handle Locking Cables | 2.00 | 150 (Y) |
| R09D3.5X20 | 20' Heavy-Duty T-Handle Locking Cables | 2..38 | 150 (Y) |
| R09D3.5X25 | 25' Heavy-Duty T-Handle Locking Cables | 2.63 | 150 (Y) |
| R09D3.5X30 | 30' Heavy-Duty T-Handle Locking Cables | 3.13 | 150 (Y) |

R21C-Series Choke Cables



- Available in 6', 8', 10', 15' lengths

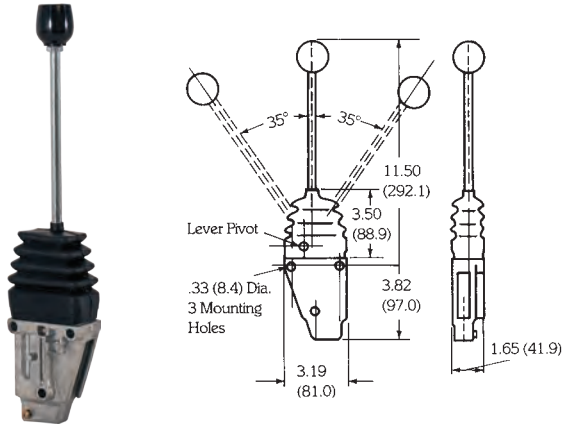
| Part No. | Description | Wt. (lbs.) | Cat. |
|----------|------------------|------------|---------|
| R21CX06 | 6' Choke Cables | 0.33 | 190 (Y) |
| R21CX08 | 8' Choke Cables | 0.34 | 190 (Y) |
| R21CX10 | 10' Choke Cables | 1.00 | 190 (Y) |
| R21CX15 | 15' Choke Cables | 0.72 | 190 (Y) |

*Buyers Products is not authorized by nor affiliated with the manufacturer of Chelsea products.

Remote Valve Control Systems

Single-Axis Remote Valve Control

- Weatherproof zinc diecast control
- Can be mounted on interior or exterior of vehicle
- Units can be mounted singly or stacked for multi-spool valves
- Valve lever has "momentary" spring to center action
- 9/16" stroke each way from center neutral position

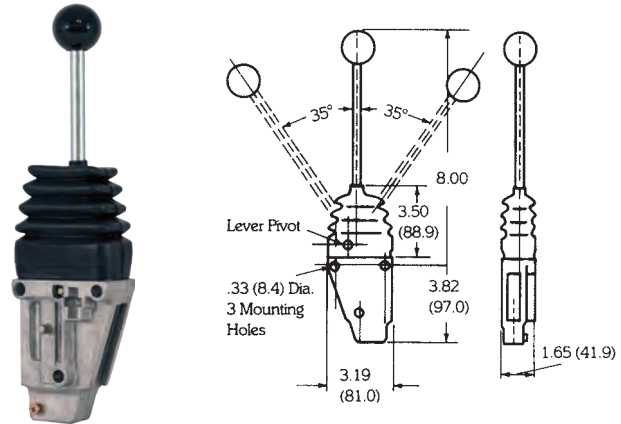


| Part No. | Description | Wt. (lbs.) | Cat. |
|------------------|----------------------------------|------------|---------|
| B206301 | Single-Axis Remote Valve Control | 2.95 | 240 (N) |
| B206301R0 | Rubber Boot Cover for B20631 | 0.48 | 240 (N) |

* See pg. I5 for RVC cables

Single-Axis with Detent Remote Valve Control

- Added safety feature of detents
- Weatherproof zinc diecast control
- Can be mounted on interior or exterior of vehicle
- Units can be mounted singly or stacked for multi-spool valves
- 9/16" stroke each way from center neutral position



| Part No. | Description | Wt. (lbs.) | Cat. |
|-------------------|---|------------|---------|
| B206301001 | Single-Axis Remote Valve Control with Center Detent | 2.50 | 240 (N) |
| B206301002 | Single-Axis Remote Valve with End Detents | 2.50 | 240 (N) |

* See pg. I5 for RVC cables

Single-Axis Remote Valve Control

- Center locking or non-locking
- 70° handle, composite pivot
- For use with RVC "B302845" series cables
- Rear cable connection eliminates the need to bend cables
- Units can be mounted singly or stacked for multi-spool valves
- Knobs accept stick-on function label (VSK040)
- 9/16" stroke

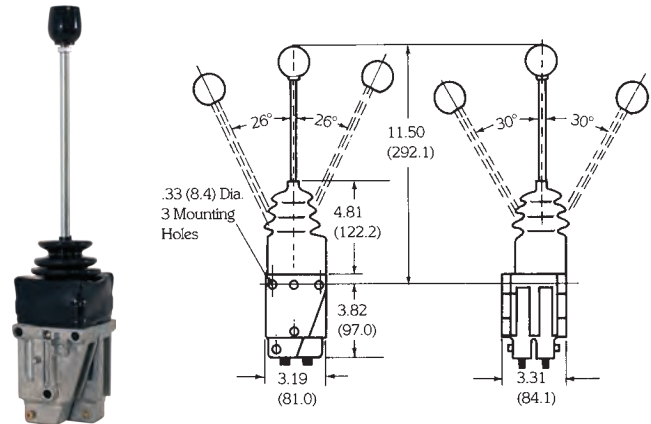


| Part No. | Description | Wt. (lbs.) | Cat. |
|-------------------|--|------------|---------|
| B206401 | Single-Axis Remote Valve Control, Non-locking, Composite, 70° Offset Handle | 1.60 | 240 (N) |
| B206401001 | Single-Axis Remote Valve Control, Center-locking, Composite, 70° Offset Handle | 1.20 | 240 (N) |
| 3014204 | Mounting Brackets | 0.48 | 240 (N) |
| 3014332 | Mounting Hardware, Single (2-1/2" Bolts) | 0.13 | 240 (N) |

* See pg. I5 for RVC cables

Dual-Axis Remote Valve Control

- Dual axis controls are used to control two valves simultaneously
- 9/16" stroke



| Part No. | Description | Wt. (lbs.) | Cat. |
|----------------|--------------------------------|------------|---------|
| B206305 | Dual Axis Remote Valve Control | 4.44 | 240 (N) |

* See pg. I5 for RVC cables

Remote Valve Control Consoles



VSC1



VSC2

- Consoles are 13 gauge steel
- Black powder coated finish
- All fasteners are included

| Part No. | Description | Wt. (lbs.) | Cat. |
|----------|--|------------|---------|
| VSC1 | Single Lever Console (9" H x 1-3/4" W) | 3.20 | 240 (N) |
| VSC2 | Dual Lever Console (9" H x 3-3/8" W) | 4.25 | 240 (N) |
| VSC3 | Triple Lever Console (9" H x 4-15/16" W) | 4.75 | 240 (N) |
| VSC4 | Quad Lever Console (9" H x 6-9/16" W) | 6.00 | 240 (N) |

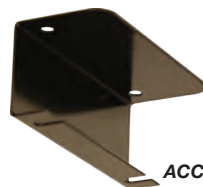
Blank Console & Side Mount Accessory Plate



AC010B



BC12914



ACC01

- Black powder coated steel console
- Unpunched top panel for mounting air valves, electric switches, gauges, etc

ACC01:

- Designed to mount on all Buyers consoles
- Existing mounting holes are utilized to add capacity to shift consoles
- Ideal for mounting switches, gauges, etc.

| Part No. | Description | Wt. (lbs.) | Cat. |
|----------|--|------------|---------|
| AC010B | Blank Console, 7" W x 6-1/8" D 14-1/8" H | 12.0 | 220 (N) |
| SAC010B | Blank Console, 7" W x 6-1/8" D 6-1/2" H | 6.0 | 220 (N) |
| ACC01 | Side Mount Accessory Plate | 0.5 | 220 (N) |
| BC12914 | Blank Console, 12" W x 9" D x 14" H | 28.0 | 220 (N) |

Push-Pull Shift Systems Q-Series

P.T.O. or Hoist Single Lever Control



- Hardened steel gateplates with safety detents for use with all 3" travel clamp type push pull cables

NOTE: Levers & Consoles Sold Separately

| Part No. | Description | Wt. (lbs.) | Cat. |
|----------------------------------|--|------------|---------|
| P.T.O. Lever End Detent | | | |
| QSSPT52 | PTO, Single-Lever For 1/4"-28 Thd. Cables | 3.40 | 220 (N) |
| QSSPT62 | PTO, Single-Lever For 5/16"-24 Thd. Cables | 3.40 | 220 (N) |
| Hoist Lever Center Detent | | | |
| QSSPU52 | Hoist, Single-Lever For 1/4"-28 Thd. Cables | 3.40 | 220 (N) |
| QSSPU62 | Hoist, Single-Lever For 5/16"-24 Thd. Cables | 3.40 | 220 (N) |
| Single Lever Console | | | |
| QTS | Black Powder Coated Steel Console For All Q-Series Single-Lever Controls | 0.40 | 220 (N) |

P.T.O. - Hoist Dual Lever Control



- Hardened steel gateplates with safety detents for use with all 3" travel clamp type push pull cables

NOTE: Levers & Consoles Sold Separately

| Part No. | Description | Wt. (lbs.) | Cat. |
|--|--|------------|---------|
| P.T.O. Hoist Dual Lever Control | | | |
| QDS52 | PTO – Hoist, Dual-Lever For 1/4"-28 Thd. Cables | 5.20 | 220 (N) |
| QDS62 | PTO – Hoist, Dual-Lever For 5/16"-24 Thd. Cables | 5.20 | 220 (N) |
| P.T.O. Dual Lever Console | | | |
| QTD | Black Powder Coated Steel Console For All Q-Series Dual-Lever Controls | 10.50 | 220 (N) |

P.T.O. - Hoist - Hoist Triple Lever Control



QTS52



QTT

- Hardened steel gateplates with safety detents for use with all 3" travel clamp type push pull cables

NOTE: Levers & Consoles Sold Separately

| Part No. | Description | Wt. (lbs.) | Cat. |
|------------------------------------|---|------------|---------|
| P.T.O. Triple Lever Control | | | |
| QTS52 | PTO – Hoist – Hoist, For 1/4"-28 Thd. Cables | 11.50 | 220 (N) |
| QTS62 | PTO – Hoist – Hoist, For 5/16"-24 Thd. Cables | 11.50 | 220 (N) |
| P.T.O. Triple Lever Console | | | |
| QTT | Black Powder Coated Steel Console For All Q-Series Triple-Lever Controls. | 11.45 | 220 (N) |

Air P.T.O. - Hoist Single Lever Control



QSA52



QTD

- Hardened steel gateplates with safety detents for use with all 3" travel clamp type push pull cables

NOTE: Levers & Consoles Sold Separately

| Part No. | Description | Wt. (lbs.) | Cat. |
|--|--|------------|---------|
| Air P.T.O. Hoist Single Lever Control | | | |
| QSA52 | Single-Lever For 1/4"-28 Thd. Cables - Chelsea Only | 3.80 | 220 (N) |
| QSA62 | Single-Lever For 5/16"-24 Thd. Cables - Chelsea Only | 3.80 | 220 (N) |
| QSA52M | Single-Lever For 1/4"-28 Thd. Cables - Muncie Only | 3.80 | 220 (N) |
| QSA62M | Single-Lever For 5/16"-24 Thd. Cables - Muncie Only | 3.80 | 220 (N) |
| Air P.T.O. Single Lever Console | | | |
| QTD | Black Powder Coated Steel Console For All Q-Series Dual-Lever Controls | 10.50 | 220 (N) |

Push-Pull Shift Systems B-Series

P.T.O. or Hoist Single Lever Control



NOTE: Levers & Consoles Sold Separately

| Part No. | Description | Wt. (lbs.) | Cat. |
|----------------------------------|--|------------|---------|
| P.T.O. Lever End Detent | | | |
| BSSPT52 | PTO, Single Lever for 1/4"-28 Thd. Cables | 3.85 | 220 (N) |
| BSSPT62 | PTO, Single Lever for 5/16"-24 Thd. Cables | 3.85 | 220 (N) |
| Hoist Lever Center Detent | | | |
| BSSPU52 | Hoist, Single Lever for 1/4"-28 Thd. Cables | 3.85 | 220 (N) |
| BSSPU62 | Hoist, Single Lever for 5/16"-24 Thd. Cables | 3.85 | 220 (N) |
| Single Lever Console | | | |
| BTS | Black Powder Coated Steel Console for all B-Series Single Lever Controls | 7.60 | 220 (N) |

P.T.O. - Hoist Dual Lever Control



NOTE: Levers & Consoles Sold Separately

| Part No. | Description | Wt. (lbs.) | Cat. |
|--|--|------------|---------|
| P.T.O. Hoist Dual Lever Control | | | |
| BDS52 | PTO - Hoist, Dual Lever For 1/4"-28 Thd. Cables | 7.50 | 220 (N) |
| BDS62 | PTO - Hoist, Dual Lever For 5/16"-24 Thd. Cables | 7.50 | 220 (N) |
| P.T.O. Dual Lever Console | | | |
| BTD | Black Powder Coated Steel Console for all B-Series Dual Lever Controls | 10.00 | 220 (N) |

P.T.O. - Hoist - Hoist Triple Lever Control



NOTE: Levers & Consoles Sold Separately

| Part No. | Description | Wt. (lbs.) | Cat. |
|------------------------------------|--|------------|---------|
| P.T.O. Triple Lever Control | | | |
| BTTT52 | PTO - Hoist - Hoist for 1/4"-28 Thd. Cables | 11.50 | 220 (N) |
| BTTT62 | PTO - Hoist - Hoist for 5/16"-24 Thd. Cables | 11.50 | 220 (N) |
| P.T.O. Triple Lever Console | | | |
| BTT | Black Powder Coated Steel Console for all B-Series Triple Lever Controls | 11.45 | 220 (N) |

Air P.T.O. - Hoist Single Lever Control



BA52



BTD

- Used to cable actuate a hydraulic valve in vehicles equipped with a CHELSEA or MUNCIE air controlled P.T.O.
- Controls are grouped in a single console at the operator's fingertips

NOTE: Levers & Consoles Sold Separately

| Part No. | Description | Wt. (lbs.) | Cat. |
|--|---|------------|---------|
| Air P.T.O. Hoist Single Lever Control | | | |
| BA52 | Air P.T.O.-Hoist Single Lever Hoist Control for 1/4"-28 Thd. Cables & P.T.O. Air Valve | 4.50 | 220 (N) |
| BA62 | Air P.T.O.-Hoist Single Lever Hoist Control for 5/16"-24 Thd. Cables & P.T.O. Air Valve | 4.50 | 220 (N) |
| Air P.T.O. Single Lever Console | | | |
| BTD | Black Powder Coated Steel Console for all B-Series Dual Lever Controls | 10.00 | 220 (N) |

Air P.T.O. - Hoist - Hoist Dual Lever Control



BTA52



BTT

- Used to cable actuate two hydraulic valves in vehicles equipped with a CHELSEA or MUNCIE air controlled P.T.O.

NOTE: Levers & Consoles Sold Separately

| Part No. | Description | Wt. (lbs.) | Cat. |
|--|---|------------|---------|
| Air P.T.O. Hoist Dual Lever Control | | | |
| BTA52 | Air P.T.O.-Hoist-Hoist Dual Lever Hoist Control w/ 1/4"-28 Thd. Cables & P.T.O. Air Valve | 11.50 | 220 (N) |
| BTA62 | Air P.T.O.-Hoist-Hoist, Dual Lever Hoist Control w/ 5/16"-24 Thd. Cables & P.T.O. Air Valve | 11.50 | 220 (N) |
| Air P.T.O. Single Dual Console | | | |
| BTT | Black Powder Coated Steel Console for all B-Series Triple Lever Controls | 11.45 | 220 (N) |

Heavy Duty Control



- Zinc plated steel construction
- Designed for use with all 2" or 3" travel rod end cables with 1/4"-28 thd., or 5/16"-24 thd. rods
- 4-position forged handle provides mounting flexibility
- An adjustable lever stop limits travel to prevent stress at output end of cable
- An ideal replacement for solid rod installations

| Part No. | Description | Wt. (lbs.) | Cat. |
|----------|---|------------|---------|
| HDCL352* | For 1/4"-28 Thd. Cables with 3" Travel | 3.90 | 220 (N) |
| HDCL362* | For 5/16"-24 Thd. Cables with 3" Travel | 3.90 | 220 (N) |
| HDCL252* | For 1/4"-28 Thd. Cables with 2" Travel | 3.90 | 220 (N) |
| HDCL262 | For 5/16"-24 Thd. Cables with 2" Travel | 3.90 | 220 (N) |

*Available with a 4" shorter lever. To order add an "S" suffix to the part number for cable selection see pgs. K14 & K15

Remote Valve Control Systems

RVC Adapter Input w/ Bonnet Output Control Cable

- 5/8" travel



| Part No. | Description | Wt. (lbs.) | Cat. |
|------------|---------------------------------|------------|---------|
| B302845048 | 48" Remote Valve Control Cable | 1.31 | 240 (N) |
| B302845060 | 60" Remote Valve Control Cable | 1.41 | 240 (N) |
| B302845072 | 72" Remote Valve Control Cable | 2.23 | 240 (N) |
| B302845084 | 84" Remote Valve Control Cable | 2.44 | 240 (N) |
| B302845096 | 96" Remote Valve Control Cable | 2.00 | 240 (N) |
| B302845108 | 108" Remote Valve Control Cable | 2.07 | 240 (N) |
| B302845120 | 120" Remote Valve Control Cable | 2.44 | 240 (N) |
| B302845132 | 132" Remote Valve Control Cable | 2.44 | 240 (N) |
| B302845144 | 144" Remote Valve Control Cable | 2.70 | 240 (N) |
| B302845168 | 168" Remote Valve Control Cable | 3.25 | 240 (N) |
| B302845180 | 180" Remote Valve Control Cable | 3.38 | 240 (N) |

Remote Valve Control Connection Kit



- Works with any controller from page K6
- Connects directly to valve spool

| Part No. | Description | Wt. (lbs.) | Cat. |
|----------|------------------------------|------------|---------|
| B303032 | Gresen 25P, CP, CS, V20, V42 | 0.75 | 240 (N) |
| B303032 | Energy CV50, CVP, CVA, 200 | 0.75 | 240 (N) |
| B302890 | Buyers, Cross BA, BC, CA, CD | 0.75 | 240 (N) |
| B303418F | Commercial A20 Front Entry | 0.75 | 240 (N) |
| B303418R | Commercial A20 Rear Entry | 0.75 | 240 (N) |
| B302889 | Racine ML25 1/2" | 0.75 | 240 (N) |
| B302889 | Parker VDP12 | 0.75 | 240 (N) |
| B303034 | Rex Roth 30-S2 MP18 | 0.75 | 240 (N) |
| B303035 | Buyers 20-30 GPM sectional | 0.75 | 240 (N) |
| B302889M | Gresen V31 | 0.75 | 240 (N) |

Remote Valve Control Knob



| Part No. | Description | Wt. (lbs.) | Cat. |
|----------|-------------------------|------------|---------|
| VSK001 | Black knob, 3/8-24 Thd. | 0.13 | 290 (N) |

Remote Valve Decal Sheet for Control Knob



| Part No. | Description | Wt. (lbs.) | Cat. |
|----------|-------------------------|------------|---------|
| VSK040 | Decal sheet, for VSK001 | 0.13 | 290 (N) |

Push-Pull Cables

5200-Series Universal Mount Control Cables



- 3" and 4" Travel
- .125 Core
- 1/4"-28 Thread stainless steel rod
- 40 lb. - 100 lb. load range
- 8" Minimum bend radius
- Stocked 3' to 20'
- Other lengths and travels available

| Part No. | Description | Wt. (lbs.) | Cat. |
|------------|---|------------|---------|
| 5203BBU048 | 48" Universal Mount Control Cable with Bulkheads, Nuts & Washers | 1.75 | 260 (Y) |
| 5203BBU060 | 60" Universal Mount Control Cable with Bulkheads, Nuts & Washers | 2.00 | 260 (Y) |
| 5203BBU072 | 72" Universal Mount Control Cable with Bulkheads, Nuts & Washers | 2.35 | 260 (Y) |
| 5203BBU084 | 84" Universal Mount Control Cable with Bulkheads, Nuts & Washers | 2.25 | 260 (Y) |
| 5203BBU096 | 96" Universal Mount Control Cable with Bulkheads, Nuts & Washers | 2.44 | 260 (Y) |
| 5203BBU108 | 108" Universal Mount Control Cable with Bulkheads, Nuts & Washers | 2.69 | 260 (Y) |
| 5203BBU120 | 120" Universal Mount Control Cable with Bulkheads, Nuts & Washers | 3.10 | 260 (Y) |
| 5203BBU132 | 132" Universal Mount Control Cable with Bulkheads, Nuts & Washers | 3.00 | 260 (Y) |
| 5203BBU144 | 144" Universal Mount Control Cable with Bulkheads, Nuts & Washers | 3.13 | 260 (Y) |
| 5203BBU156 | 156" Universal Mount Control Cable with Bulkheads, Nuts & Washers | 3.25 | 260 (Y) |
| 5203BBU168 | 168" Universal Mount Control Cable with Bulkheads, Nuts & Washers | 3.56 | 260 (Y) |
| 5203BBU192 | 192" Universal Mount Control Cable with Bulkheads, Nuts & Washers | 4.00 | 260 (Y) |
| 5203BBU228 | 228" Universal Mount Control Cable with Bulkheads, Nuts & Washers | 5.81 | 260 (Y) |
| 5203BBU240 | 240" Universal Mount Control Cable with Bulkheads, Nuts & Washers | 4.31 | 260 (Y) |

See pgs. K21-K23 for Hardware & Accessories

ORDERING INFORMATION

Length in inches is determined by measuring overall length from one end of rod to the other end of rod.

Example:

52 03 BBU 072
 series travel type of length
 mount

5200-Series Universal Mount Control Cables



- 3" and 4" Travel
- .125 Core
- 1/4"-28 Thread stainless steel rod
- 40 lb. - 100 lb. load range
- 8" Minimum bend radius
- Stocked 3' to 20'
- Other lengths and travels available

| Part No. | Description | Wt. (lbs.) | Cat. |
|------------|---|------------|---------|
| 5203CCU060 | 60" Universal Mount Control Cable with Clamp Mount | 1.75 | 260 (Y) |
| 5203CCU072 | 72" Universal Mount Control Cable with Clamp Mount | 2.00 | 260 (Y) |
| 5203CCU084 | 84" Universal Mount Control Cable with Clamp Mount | 2.07 | 260 (Y) |
| 5203CCU096 | 96" Universal Mount Control Cable with Clamp Mount | 2.25 | 260 (Y) |
| 5203CCU108 | 108" Universal Mount Control Cable with Clamp Mount | 2.50 | 260 (Y) |
| 5203CCU120 | 120" Universal Mount Control Cable with Clamp Mount | 2.56 | 260 (Y) |
| 5203CCU132 | 132" Universal Mount Control Cable with Clamp Mount | 2.75 | 260 (Y) |
| 5203CCU228 | 228" Universal Mount Control Cable with Clamp Mount | 5.50 | 260 (Y) |

See pgs. K21-K23 for Hardware & Accessories

6200-Series Universal Mount Control Cables



- 3" and 4" Travel
- .188 Core
- 5/16"-24 Thread stainless steel rod
- 110 lb. - 200 lb. load range
- 10" Minimum bend radius
- Stocked 3' to 20' in 12" increments
- Other lengths and travels available

| Part No. | Description | Wt. (lbs.) | Cat. |
|------------|---|------------|---------|
| 6203BBU048 | 48" Universal Mount Control Cable with Bulkheads, Nuts & Washers | 2.22 | 270 (Y) |
| 6203BBU060 | 60" Universal Mount Control Cable with Bulkheads, Nuts & Washers | 2.50 | 270 (Y) |
| 6203BBU072 | 72" Universal Mount Control Cable with Bulkheads, Nuts & Washers | 2.75 | 270 (Y) |
| 6203BBU084 | 84" Universal Mount Control Cable with Bulkheads, Nuts & Washers | 3.00 | 270 (Y) |
| 6203BBU096 | 96" Universal Mount Control Cable with Bulkheads, Nuts & Washers | 3.25 | 270 (Y) |
| 6203BBU108 | 108" Universal Mount Control Cable with Bulkheads, Nuts & Washers | 3.25 | 270 (Y) |
| 6203BBU120 | 120" Universal Mount Control Cable with Bulkheads, Nuts & Washers | 3.25 | 270 (Y) |
| 6203BBU132 | 132" Universal Mount Control Cable with Bulkheads, Nuts & Washers | 3.88 | 270 (Y) |
| 6203BBU144 | 144" Universal Mount Control Cable with Bulkheads, Nuts & Washers | 3.13 | 270 (Y) |
| 6203BBU168 | 168" Universal Mount Control Cable with Bulkheads, Nuts & Washers | 4.69 | 270 (Y) |
| 6203BBU216 | 216" Universal Mount Control Cable with Bulkheads, Nuts & Washers | 5.69 | 270 (Y) |
| 6203BBU240 | 240" Universal Mount Control Cable with Bulkheads, Nuts & Washers | 5.76 | 270 (Y) |

See pgs. K21-K23 for Hardware & Accessories

ORDERING INFORMATION

Length in inches is determined by measuring overall length from one end of rod to the other end of rod.

Example:

62 03 BBU 072
 / | \ | \
 series travel type of length
 mount

6200-Series Universal Mount Control Cables



- 3" and 4" Travel
- .188 Core
- 5/16"-24 Thread stainless steel rod
- 110 lb. - 200 lb. load range
- 10" Minimum bend radius
- Stocked 3' to 20' in 12" increments
- Other lengths and travels available

| Part No. | Description | Wt. (lbs.) | Cat. |
|------------|---|------------|---------|
| 6203CCU072 | 72" Universal Mount Control Cable with Clamp Mount | 2.50 | 270 (Y) |
| 6203CCU084 | 84" Universal Mount Control Cable with Clamp Mount | 2.81 | 270 (Y) |
| 6203CCU096 | 96" Universal Mount Control Cable with Clamp Mount | 3.00 | 270 (Y) |
| 6203CCU120 | 120" Universal Mount Control Cable with Clamp Mount | 3.38 | 270 (Y) |
| 6203CCU204 | 204" Universal Mount Control Cable with Clamp Mount | 5.19 | 270 (Y) |

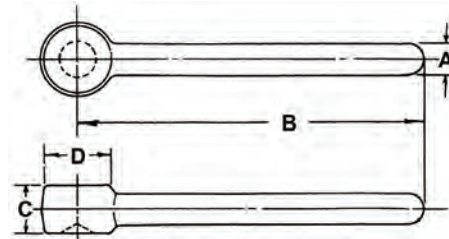
See pgs. K21-K23 for Hardware & Accessories

End Rods

Forged Rod End



- Blank

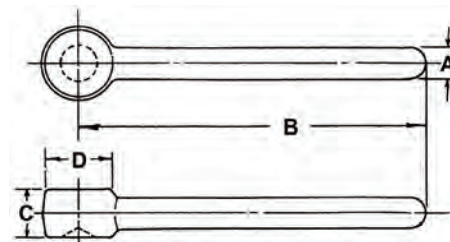


| Part No. | Description | A | B | C | D | Wt. (lbs.) | Cat. |
|-----------|---------------|------|--------|---------|---------|------------|---------|
| B27024BB | Blank Rod End | 3/8" | 3-1/2" | 7/16" | 1-1/16" | 0.15 | 705 (N) |
| B27026EB | Blank Rod End | 1/2" | 6" | 9/16" | 3-1/32" | 0.44 | 705 (N) |
| B27027EB | Blank Rod End | 5/8" | 6" | 11/16" | 1-1/4" | 0.70 | 705 (N) |
| B27028AB | Blank Rod End | 3/4" | 3-1/2" | 13/16" | 1-1/2" | 0.75 | 705 (N) |
| B27028EB | Blank Rod End | 3/4" | 6" | 13/16" | 1-1/2" | 1.10 | 705 (N) |
| B270210EB | Blank Rod End | 1" | 6" | 1-3/32" | 2-1/32" | 2.11 | 705 (N) |

Forged Rod End



- Machined with NC thread



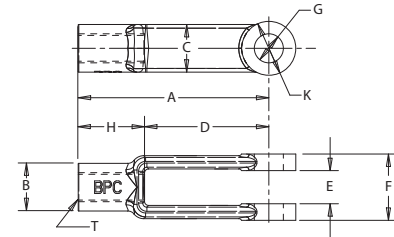
| Part No. | Description | A | B | C | D | Wt. (lbs.) | Cat. |
|-------------|-------------------------------|--------|--------|---------|---------|------------|---------|
| B27024BM | Machined w/ NC Thread Rod End | 3/8" | 3-1/2" | 7/16" | 1-1/16" | 0.12 | 705 (N) |
| B27026BM | Machined w/ NC Thread Rod End | 1/2" | 3-1/2" | 9/16" | 3-1/32" | 0.27 | 705 (N) |
| B27026EM | Machined w/ NC Thread Rod End | 1/2" | 6" | 9/16" | 3-1/32" | 0.34 | 705 (N) |
| B27026M10 | Machined w/ NC Thread Rod End | 1/2" | 10" | 9/32" | 3-1/32" | 0.56 | 705 (N) |
| B27027EM | Machined w/ NC Thread Rod End | 5/8" | 6" | 11/16" | 1-1/4" | 0.53 | 705 (N) |
| B27028AM | Machined w/ NC Thread Rod End | 3/4" | 3-1/2" | 13/16" | 1-1/2" | 0.60 | 705 (N) |
| B27028EM | Machined w/ NC Thread Rod End | 3/4" | 6" | 13/16" | 1-1/2" | 0.88 | 705 (N) |
| B270210EM | Machined w/ NC Thread Rod End | 1" | 6" | 1-3/32" | 2-1/32" | 1.58 | 705 (N) |
| B270210HMZ* | Machined w/ NC Thread Rod End | 1" | 9-1/4" | 1" | 2" | 2.20 | 705 (N) |
| B270212KM | Machined w/ NC Thread Rod End | 1-1/4" | 12" | 1-1/4" | 2-3/8" | 4.40 | 705 (N) |
| B27028LMZ | Machined w/ NC Thread Rod End | 3/4" | 7" | 1/2" | 1-1/2" | 1.04 | 705 (N) |

* Zinc plated

Adjustable Yoke End



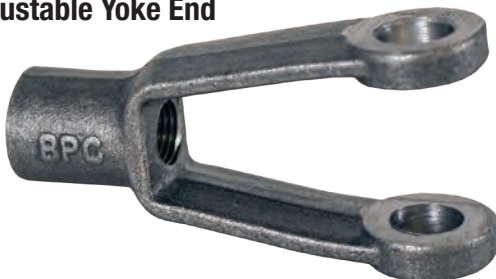
- Machine forged
- Meet S.A.E. standards
- Custom sizes & finishes available



| Part No. | A | B | C | D | E | F | G | H | K | T (Thread) | Wt. (lbs.) | Cat. |
|-------------|--------|--------|--------|--------|--------|--------|--------|--------|--------|------------|------------|---------|
| B27081AZ | 1.563" | 0.313" | 0.313" | 1.000" | 0.188" | 0.438" | 0.188" | 0.563" | 0.375" | 3/16-32 NF | .03 | 730 (N) |
| B27082A | 2.000" | 0.438" | 0.438" | 1.250" | 0.281" | 0.625" | 0.250" | 0.750" | 0.500" | 1/4-28 NF | .07 | 730 (N) |
| B27082AZ | 2.000" | 0.438" | 0.438" | 1.250" | 0.281" | 0.625" | 0.250" | 0.750" | 0.500" | 1/4-28 NF | .07 | 730 (N) |
| B27083A | 2.250" | 0.500" | 0.500" | 1.438" | 0.344" | 0.750" | 0.313" | 0.438" | 0.594" | 5/16-24 NF | .11 | 730 (N) |
| B27083AZ | 2.250" | 0.500" | 0.500" | 1.438" | 0.344" | 0.750" | 0.313" | 0.438" | 0.594" | 5/16-24 NF | .11 | 730 (N) |
| B27083A14Z | 2.250" | 0.500" | 0.500" | 1.438" | 0.344" | 0.750" | 0.313" | 0.438" | 0.594" | 1/4-28 NF | .11 | 730 (N) |
| B27084A | 2.500" | 0.625" | 0.625" | 1.625" | 0.438" | 0.875" | 0.375" | 0.438" | 0.688" | 3/8-24 NF | .17 | 730 (N) |
| B27084AZ | 2.500" | 0.625" | 0.625" | 1.625" | 0.438" | 0.875" | 0.375" | 0.438" | 0.688" | 3/8-24 NF | .17 | 730 (N) |
| B27084ALH | 2.500" | 0.625" | 0.625" | 1.625" | 0.438" | 0.875" | 0.375" | 0.438" | 0.688" | 3/8-24 LH* | .17 | 730 (N) |
| B27084A14Z | 2.500" | 0.625" | 0.625" | 1.625" | 0.438" | 0.875" | 0.375" | 0.438" | 0.688" | 1/4-28 NF | .17 | 730 (N) |
| B27084A56ZY | 2.500" | 0.625" | 0.625" | 1.625" | 0.438" | 0.875" | 0.375" | 0.438" | 0.688" | 5/16-24 NF | .17 | 730 (N) |
| B27084A12 | 2.500" | 0.625" | 0.625" | 1.625" | 0.438" | 0.875" | 0.375" | 0.438" | 0.688" | 1/2-20 NF | .17 | 730 (N) |
| B27085A | 2.875" | 0.719" | 0.719" | 1.875" | 0.500" | 1.000" | 0.438" | 1.000" | 0.813" | 7/16-20 NF | .24 | 730 (N) |
| B27086ANF | 3.000" | 0.813" | 0.813" | 1.875" | 0.563" | 1.125" | 0.500" | 1.125" | 0.938" | 1/2-20 NF | .39 | 730 (N) |
| B27086ANFZ | 3.000" | 0.813" | 0.813" | 1.875" | 0.563" | 1.125" | 0.500" | 1.125" | 0.938" | 1/2-20 NF | .39 | 730 (N) |
| B27086ANC | 3.000" | 0.813" | 0.813" | 1.875" | 0.563" | 1.125" | 0.500" | 1.125" | 0.938" | 1/2-13 NC | .39 | 730 (N) |
| B27086ANCZ | 3.000" | 0.813" | 0.813" | 1.875" | 0.563" | 1.125" | 0.500" | 1.125" | 0.938" | 1/2-13 NC | .39 | 730 (N) |
| B27086A14Z | 3.000" | 0.813" | 0.813" | 1.875" | 0.563" | 1.125" | 0.500" | 1.125" | 0.938" | 1/4-28 NF | .39 | 730 (N) |
| B27086A56ZY | 3.000" | 0.813" | 0.813" | 1.875" | 0.563" | 1.125" | 0.500" | 1.125" | 0.938" | 5/16-24 NF | .39 | 730 (N) |
| B27086A38ZY | 3.000" | 0.813" | 0.813" | 1.875" | 0.563" | 1.125" | 0.500" | 1.125" | 0.938" | 3/8-24 NF | .39 | 730 (N) |
| B27086B | 4.188" | 0.813" | 0.813" | 3.063" | 0.563" | 1.125" | 0.500" | 1.125" | 0.938" | 1/2-20 NF | .39 | 730 (N) |
| B27087ANF | 4.938" | 1.063" | 1.063" | 3.688" | 0.688" | 1.375" | 0.625" | 1.250" | 1.188" | 5/8-18 NF | .85 | 730 (N) |
| B27087ANFZ | 4.938" | 1.063" | 1.063" | 3.688" | 0.688" | 1.375" | 0.625" | 1.250" | 1.188" | 5/8-18 NF | .85 | 730 (N) |
| B27087ANC | 4.938" | 1.063" | 1.063" | 3.688" | 0.688" | 1.375" | 0.625" | 1.250" | 1.188" | 5/8-11 NC | .85 | 730 (N) |
| B27087B | 4.469" | 1.063" | 0.750" | 3.250" | 0.563" | 1.438" | 0.500" | 1.219" | 1.063" | 5/8-18 NF | .64 | 730 (N) |
| B27087C | 1.903" | 0.844" | 0.847" | 1.250" | 0.594" | 1.281" | 0.500" | 0.563" | 0.969" | 5/8-18 NF | .24 | 730 (N) |
| B27088ANF | 6.063" | 1.250" | 1.250" | 4.563" | 0.813" | 1.625" | 0.750" | 1.500" | 1.438" | 3/4-16 NF | 1.15 | 730 (N) |
| B27088ANC | 6.063" | 1.250" | 1.250" | 4.563" | 0.813" | 1.625" | 0.750" | 1.500" | 1.438" | 3/4-10 NC | 1.15 | 730 (N) |
| B270810C | 2.313" | 1.125" | 1.250" | 1.500" | 0.563" | 1.500" | 0.625" | 0.813" | 1.250" | 5/8-18 NF | .68 | 730 (N) |

*LH = Left Hand Thread

Adjustable Yoke End



- Machine forged
- Spread
- Fine thread

| Part No. | Description | Wt. (lbs.) | Cat. |
|----------|----------------------------------|------------|---------|
| B27086C | 1/2" Adjustable Yoke End, Spread | .32 | 730 (N) |

Yoke Ends

Adjustable Yoke End



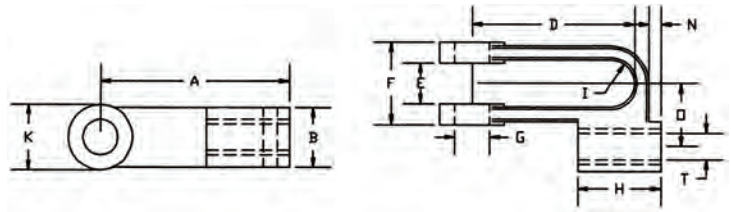
- Machine forged
- Curved

| Part No. | Description | Wt. (lbs.) | Cat. |
|----------|---|------------|---------|
| B27086E | 1/2" Adjustable Yoke End, Curved, 1/2" - 20" unf | .40 | 730 (N) |
| B27087BB | 5/8" Adjustable Yoke End, Curved Clevis, 5/8" - 18" unf | .64 | 730 (N) |

Offset Yoke End



- Machine Forged

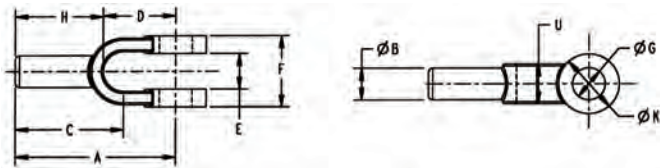


| Part No. | A | B | D | E | F | G | H | I | K | N | O | T | Cat. |
|----------|--------|--------|-------|-------|-------|------|-------|-------|--------|------|--------|-----------|---------|
| B26994A | 2" | 5/8" | 15/8" | 7/16" | 7/8" | 3/8" | 7/8" | 1/4" | 11/16" | 1/8" | 41/64" | 3/8-24 NF | 730 (N) |
| B26996A | 2-1/4" | 13/16" | 17/8" | 9/16" | 11/8" | 1/2" | 11/8" | 5/16" | 15/16" | 1/8" | 53/64" | 1/2-20 NF | 730 (N) |

Plain Yoke End

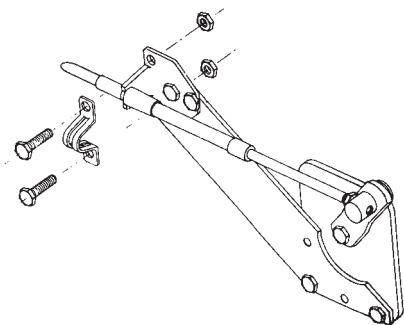


- Meets S.A.E. standard



| Part No. | A | B | C | D | E | F | G | H | K | U | Wt. (lbs.) | Cat. |
|----------|---------|------|----------|----------|--------|--------|------|--------|---------|--------|------------|---------|
| B27094A | 2-1/8" | 3/8" | 1-33/64" | 2-7/32" | 7/16" | 7/8" | 3/8" | 1-1/4" | 11/16" | 5/8" | .11 | 750 (N) |
| B27096A | 2-1/2" | 1/2" | 1-11/16" | 1-1/8" | 9/16" | 1-1/8" | 1/2" | 1-3/8" | 15/16" | 5/8" | .24 | 750 (N) |
| B27096B | 4-9/16" | 1/2" | 3-5/8" | 1-1/8" | 9/16" | 1-1/8" | 1/2" | 3-3/8" | 1/5/16" | 3/4" | .34 | 750 (N) |
| B27097A | 4-5/8" | 5/8" | 3-5/8" | 1-7/16" | 11/16" | 1-3/8" | 5/8" | 3-1/4" | 1-3/16" | 1" | .46 | 750 (N) |
| B27098A | 3-5/8" | 3/4" | 2-25/64" | 1-11/16" | 13/16" | 1-5/8" | 3/4" | 1-3/4" | 1-7/16" | 1-1/4" | 1.15 | 750 (N) |

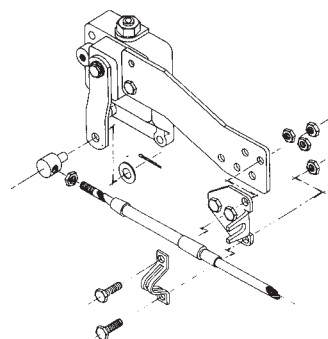
BPT P.T.O. Connection Kit



- For double gear CHELSEA and similar P.T.O.s
- Kit contains all fasteners & hardware required

| Part No. | Description | Wt. (lbs.) | Cat. |
|------------|---|------------|---------|
| BPT | For 1/4"-28 Thd. and 5/16"-24 Thd. Control Cables | 0.85 | 230 (N) |

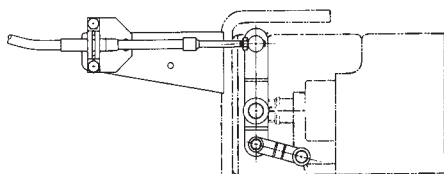
BPTSG P.T.O. Connection Kit



- For single gear CHELSEA and similar P.T.O.s.
- Fits all Muncie P.T.O.s.
- Kit contains all fasteners & hardware required

| Part No. | Description | Wt. (lbs.) | Cat. |
|--------------|---|------------|---------|
| BPTSG | For 1/4"-28 Thd. and 5/16"-24 Thd. Control Cables | 0.75 | 230 (N) |

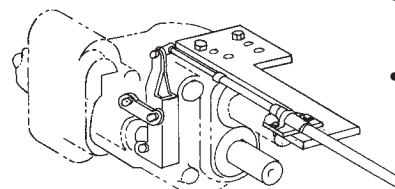
BPU Pump Connection Kit



- For BPC1010, commercial C101 & similar pumps
- Kit contains all fasteners & hardware required

| Part No. | Description | Wt. (lbs.) | Cat. |
|------------|---|------------|---------|
| BPU | For 1/4"-28 Thd. and 5/16"-24 Thd. Control Cables | 1.50 | 230 (N) |

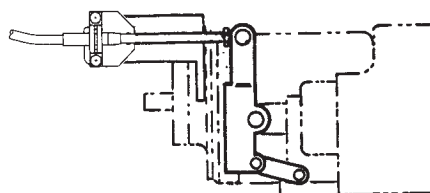
BPUGD Pump Connection Kit



- For commercial G101 remote mount pumps
- Kit contains all fasteners & hardware required

| Part No. | Description | Wt. (lbs.) | Cat. |
|--------------|--|------------|---------|
| BPUGD | (Front or Rear Cable Entry) Attaches to Mounting Pad | 2.65 | 230 (N) |

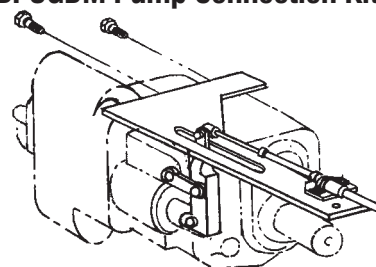
BPU102DM Pump Connection Kit



- For BPC1010DM, commercial C102 & similar pumps
- Please specify clockwise or counterclockwise

| Part No. | Description | Wt. (lbs.) | Cat. |
|--------------------|-------------------------------|------------|---------|
| BPU102DMCW | For Clockwise Rotation | 1.70 | 230 (N) |
| BPU102DMCCW | For Counterclockwise Rotation | 1.70 | 230 (N) |

BPUGDM Pump Connection Kit

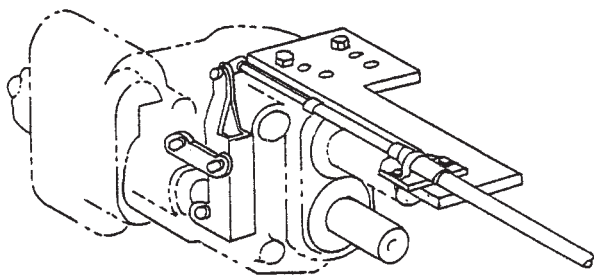


- For Commercial* G102 pumps

| Part No. | Description | Wt. (lbs.) | Cat. |
|------------------|-------------------------------|------------|---------|
| BPUGDMCW | For Clockwise Rotation | 2.60 | 230 (N) |
| BPUGDMCCW | For Counterclockwise Rotation | 2.60 | 230 (N) |

Pump Connection Kits

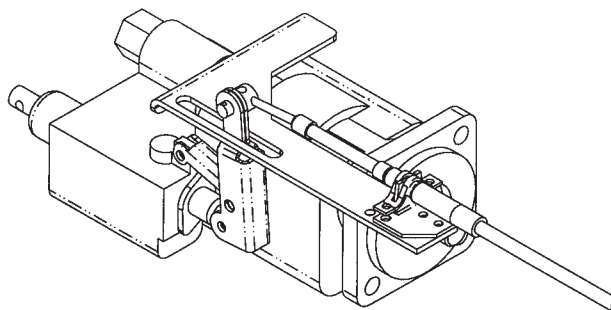
H101CK Pump Connection Kit



- For use with Buyers H101 Series, Permco* DMR300 and DMR400 Series Remote Mount Pumps

| Part No. | Description | Wt. (lbs.) | Cat. |
|----------|----------------|------------|---------|
| H101CK | Connection Kit | 2.40 | 230 (N) |

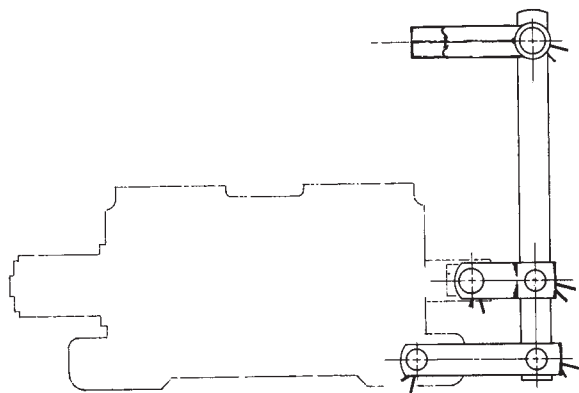
H102CKCW Pump Connection Kit



- For use with Buyers H102 Series, Permco* DMD300 and DMD400 Series Direct Mount Pumps

| Part No. | Description | Wt. (lbs.) | Cat. |
|-----------|-------------------------------|------------|---------|
| H102CKCW | For Clockwise Rotation | 2.40 | 230 (N) |
| H102CKCCW | For Counterclockwise Rotation | 2.40 | 230 (N) |

BSV Pump Connection Kit



- For Commercial* A-20, A-35 & similar valves

| Part No. | Description | Wt. (lbs.) | Cat. |
|----------|--|------------|---------|
| BSV3552 | For A-35 Valve and 1/4"-28 Thd. Cables | 1.85 | 230 (N) |

2" Knob



- 3/8"-24 Thd. or 1/4"-28 Thd.

| Part No. | Description | Wt. (lbs.) | Cat. |
|----------|------------------------------|------------|---------|
| 65 | Plain, 3/8"-24 Thd. | 0.13 | 290 (N) |
| 651 | Lettered "PTO", 3/8"-24 Thd. | 0.13 | 290 (N) |
| 20 | Plain, 1/4"-28 Thd. | 0.13 | 290 (N) |

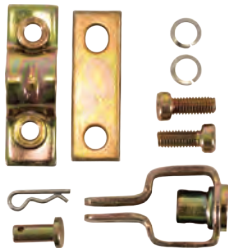
Replacement Knob for New Style Q-Series Controls



- 1/2-13 Thd. knob for all threaded shaft Q-Series controls

| Part No. | Description | Wt. (lbs.) | Cat. |
|----------|------------------------|------------|---------|
| B659KB | Black Replacement Knob | 0.13 | 290 (N) |

Shift Control Cable Connection Kit



- For both B-Series and Q-Series controls

| Part No. | Description | Wt. (lbs.) | Cat. |
|----------|-------------------------------------|------------|---------|
| BQ52105 | Kit for 1/4-28 Thd. Control Cables | 0.10 | 300 (N) |
| BQ62106 | Kit for 5/16-24 Thd. Control Cables | 0.10 | 300 (N) |

Nut and Washer Kit for 52-Series Cable



- Four 5/8" nuts and four 5/8" washers for conduit thread on 52-Series control cable

| Part No. | Description | Wt. (lbs.) | Cat. |
|----------|--------------------------------------|------------|---------|
| BNW015 | Nut & Washer Kit for 52-Series Cable | 0.29 | 300 (N) |

Nut and Washer Kit for 62-Series Cable



- Four 11/16" nuts and four 11/16" washers for conduit thread on 62-Series control cable

| Part No. | Description | Wt. (lbs.) | Cat. |
|----------|--------------------------------------|------------|---------|
| BNW016 | Nut & Washer Kit for 62-Series Cable | 0.19 | 300 (N) |

Knobs & Hardware

Vinyl Coated Conduit Strap



- For larger sizes see pg. ?

| Part No. | Description | Wt. (lbs.) | Cat. |
|----------|------------------|------------|---------|
| 250 | For .260 Conduit | 0.01 | 290 (N) |
| 312 | For .312 Conduit | 0.01 | 290 (N) |
| 375 | For .375 Conduit | 0.01 | 290 (N) |

Bowden Pin



- Brass construction with .098 drill thru

| Part No. | Description | Wt. (lbs.) | Cat. |
|----------|--|------------|---------|
| 6138 | 3/8" Diameter | 0.03 | 290 (N) |
| 6170 | 7/16" Diameter | 0.03 | 290 (N) |
| 6125B | Pivot Pin for 3/16" Thick Lever w/ 1/4" Hole | 0.01 | 290 (N) |

Mounting Plate



- Provides an adjustable mounting base for all output ends of clamp-type push pull cables

| Part No. | Description | Wt. (lbs.) | Cat. |
|----------|----------------|------------|---------|
| 356 | Mounting Plate | 0.15 | 290 (N) |

Universal Pivot Pin



- For 1/4" thick levers with 7/16" dia. hole
- For both 1/4"-28 Thd. and 5/16"-24 Thd.

| Part No. | Description | Wt. (lbs.) | Cat. |
|----------|---------------------|------------|---------|
| P5262 | Universal Pivot Pin | 0.06 | 290 (N) |

Throttle Stop



- 5/16" Diameter Brass Barrel Throttle Stop with .088 Hole

| Part No. | Description | Wt. (lbs.) | Cat. |
|----------|--|------------|---------|
| 516 | 5/16" Dia. Brass Barrel Throttle Stop w/ .088 Hole | 0.02 | 290 (N) |

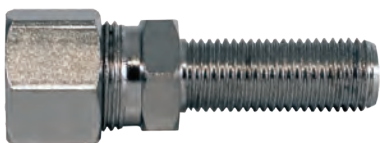
Conduit Clamp



- Provides 1/2"-20 Thd. on all .375 conduit

| Part No. | Description | Wt. (lbs.) | Cat. |
|----------|---------------|------------|---------|
| 1220R | Conduit Clamp | 0.05 | 290 (N) |

Bulkhead Fitting



- Provides 3/8"-24 Thd. on output end of all .375 conduit
- Use w/ VCGT, RF04D, R38D Cables

| Part No. | Description | Wt. (lbs.) | Cat. |
|----------|------------------|------------|---------|
| 1238 | Bulkhead Fitting | 0.03 | 290 (N) |

Bulkhead Fitting



- Provides 3/8"-24 Thd. on output end of all .260 conduit
- Use W/VCGT 3100 Series Cables
- Replaces 1209R

| Part No. | Description | Wt. (lbs.) | Cat. |
|----------|---|------------|---------|
| 1207R | Bulkhead Fitting, Includes Nuts & Bolts | 0.09 | 290 (N) |

Clamp



- Provides a 1/4" hole to secure output end of all .375 conduit

| Part No. | Description | Wt. (lbs.) | Cat. |
|----------|-------------|------------|---------|
| 4100 | Clamp | 0.06 | 290 (N) |

Chain Kit

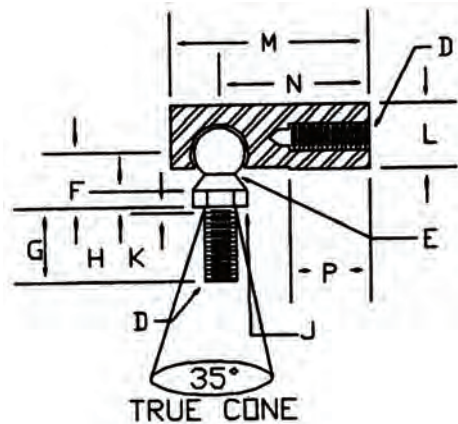


- Ideal for connecting throttle controls to linkages

| Part No. | Description | Wt. (lbs.) | Cat. |
|----------|---|------------|---------|
| 1250 | 1/4" X 6" Stainless Steel Ball Chain with 2 "S" Eyelets | 0.03 | 290 (N) |

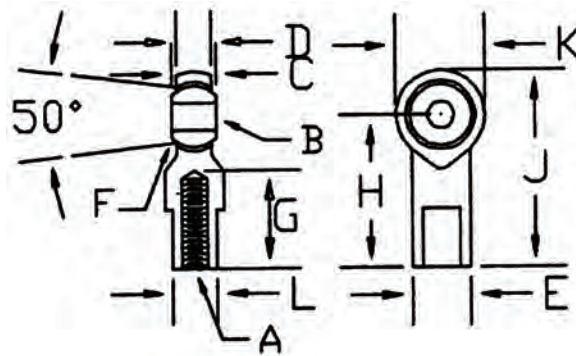
Ball Joints & End Rod Bearings

Ball Joint



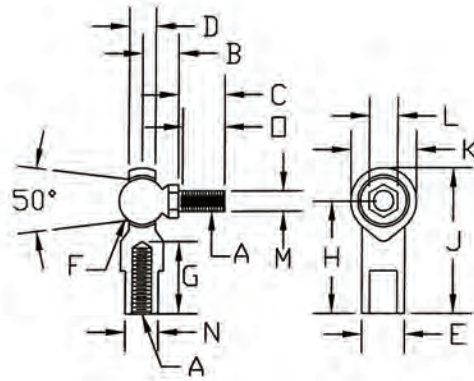
| Part No. | D | E | F | G | H | J | K | L | M | N | P | Wt. (lbs.) | Cat. |
|----------|---------|------|-------|-------|------|------|------|------|---------|---------|------|------------|---------|
| BJ31 | 10-32 | .172 | 7/16 | 7/16 | 1/8 | 5/16 | 1/16 | 3/8 | 1-1/16 | 7/8 | 7/16 | 0.13 | 310 (N) |
| BJ52 | 1/4-28 | .193 | 15/32 | 9/16 | 1/8 | 3/8 | 3/32 | 7/16 | 1-7/32 | 31/32 | 1/2 | 0.08 | 310 (N) |
| BJ62 | 5/16-24 | .232 | 17/32 | 11/16 | 5/32 | 7/16 | 3/32 | 1/2 | 1-13/32 | 1-1/8 | 9/16 | 0.08 | 310 (N) |
| BJ72 | 3/8-24 | .297 | 11/16 | 7/8 | 3/16 | 1/2 | 3/32 | 5/8 | 1-11/16 | 1-3/8 | 3/4 | 0.25 | 310 (N) |
| BJ82 | 1/2-20 | .417 | 7/8 | 11/8 | 1/4 | 5/8 | 1/8 | 3/4 | 2-3/8 | 1-15/16 | 1 | 0.31 | 310 (N) |

Rod End Bearing



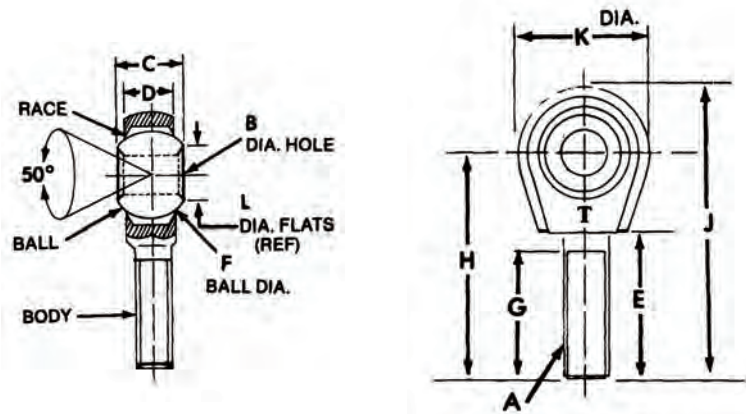
| Part No. | A | B | C | D | E | F | G | H | J | K | L | M | Wt. (lbs.) | Cat. |
|----------|---------------|---------------|------|------|------|------|-------|-------|-------|-------|------|------|------------|---------|
| BRE32F | 10-32 UNF-2 | .1895 - .1925 | .310 | .250 | .406 | .437 | .562 | 1.062 | 1.375 | .625 | .310 | .308 | 0.13 | 310 (N) |
| BRE52F | 1/4-28 UNF-2 | .2495 - .2525 | .373 | .281 | .468 | .516 | .750 | 1.312 | 1.687 | .750 | .373 | .357 | 0.08 | 310 (N) |
| BRE62F | 5/16-24 UNF-2 | .3120 - .3150 | .435 | .342 | .500 | .622 | .750 | 1.375 | 1.812 | .870 | .435 | .444 | 0.13 | 310 (N) |
| BRE72F | 3/8-24 UNF-2 | .3745 - .3775 | .498 | .404 | .687 | .716 | .937 | 1.625 | 2.125 | .995 | .560 | .514 | 0.13 | 310 (N) |
| BRE82F | 1/2-20 UNF-2 | .4995 - .5025 | .623 | .500 | .875 | .937 | 1.187 | 2.125 | 2.781 | 1.307 | .748 | .700 | 0.13 | 310 (N) |

Rod End Bearing with Stud



| Part No. | A | B | C | D | E | F | G | H | J | K | L | M | N | O | Wt. (lbs.) | Cat. |
|---------------|---------------|------|-------|------|------|------|-------|-------|-------|-------|------|------|------|------|------------|---------|
| BRE32S | 10-32 UNF-2 | .485 | .500 | .250 | .406 | .437 | .562 | 1.062 | 1.375 | .625 | .310 | .373 | .310 | .437 | 0.13 | 310 (N) |
| BRE52S | 1/4-28 UNF-2 | .485 | .562 | .281 | .468 | .516 | .750 | 1.312 | 1.687 | .750 | .373 | .435 | .373 | .470 | 0.13 | 310 (N) |
| BRE62S | 5/16-24 UNF-2 | .531 | .687 | .342 | .500 | .622 | .750 | 1.375 | 1.812 | .870 | .435 | .544 | .435 | .594 | 0.13 | 310 (N) |
| BRE72S | 3/8-24 UNF-2 | .656 | .875 | .404 | .687 | .716 | .937 | 1.625 | 2.125 | .995 | .498 | .613 | .560 | .781 | 0.18 | 310 (N) |
| BRE82S | 1/2-20 UNF-2 | .875 | 1.125 | .500 | .875 | .937 | 1.187 | 2.125 | 2.781 | 1.307 | .623 | .748 | .748 | 1.00 | 0.35 | 310 (N) |

Rod End Bearing Male Thread



| Part No. | A | B | C | D | E | F | G | H | J | K | L | Wt. (lbs.) | Cat. |
|---------------|---------------|---------------|------|------|-------|------|-------|-------|-------|-------|------|------------|---------|
| BRE32M | 10-32 UNF-2 | .1895 - .1925 | .310 | .250 | .812 | .437 | .750 | 1.250 | 1.562 | .625 | .308 | 0.03 | 310 (N) |
| BRE52M | 1/4-28 UNF-2 | .2495 - .2525 | .373 | .281 | 1.094 | .516 | 1.000 | 1.562 | 1.937 | .750 | .357 | 0.06 | 310 (N) |
| BRE62M | 5/16-24 UNF-2 | .3120 - .3150 | .435 | .342 | 1.364 | .622 | 1.250 | 1.875 | 2.312 | .870 | .444 | 0.06 | 310 (N) |
| BRE72M | 3/8-24 UNF-2 | .3745 - .3775 | .498 | .404 | 1.364 | .716 | 1.250 | 1.937 | 2.437 | .995 | .514 | 0.10 | 310 (N) |
| BRE82M | 1/2-20 UNF-2 | .4995 - .5025 | .623 | .500 | 1.713 | .937 | 1.500 | 2.438 | 3.094 | 1.307 | .700 | 0.23 | 310 (N) |

Nylon Cable Ties

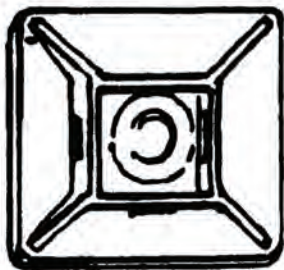
Nylon Cable Ties

- 100% nylon
- Bent tip for ease of installation
- Available natural or black weather resistant (WR)



| Part No. | Length | Width | Tensile Strength (lbs.) | Color | Military Standard | Package Quantity | Package Wt. (lbs.) | Cat. |
|-------------|---------|-------|-------------------------|---------|-------------------|------------------|--------------------|---------|
| BTN040CPK | 4" | .100 | 18 | Natural | MS-3367-4 | 100 PC | 0.06 | 320 (Y) |
| BTN055 | 5-1/2" | .130 | 40 | Natural | MS-3367-5 | 1000 PC | 1.32 | 320 (Y) |
| BTN075 | 7-1/2" | .180 | 50 | Natural | MS-3367-1 | 1000 PC | 2.50 | 320 (Y) |
| BTN011 | 11" | .180 | 50 | Natural | MS-3367-7 | 500 PC | 4.25 | 320 (Y) |
| BTN015 | 15" | .180 | 50 | Natural | MS-3367-2 | 100 PC | 0.57 | 320 (Y) |
| BTN145 | 14-1/2" | .250 | 120 | Natural | MS-3367-3 | 100 PC | 0.98 | 320 (Y) |
| BTN240 | 24" | .350 | 175 | Natural | N/A | 50 PC | 1.40 | 320 (Y) |
| BTN300 | 30" | .350 | 175 | Natural | MS-3367-6 | 50 PC | 2.08 | 320 (Y) |
| BTN075WR | 7-1/2" | .180 | 50 | Black | MS-3367-1 | 1000 PC | 2.60 | 320 (Y) |
| BTN075WRCPK | 7-1/2" | .180 | 50 | Black | MS-3367-1 | 100 PC | 0.26 | 320 (Y) |
| BTN011WR | 11" | .180 | 50 | Black | MS-3367-7 | 500 PC | 1.96 | 320 (Y) |
| BTN011WRCPK | 11" | .180 | 50 | Black | MS-3367-7 | 100 PC | 0.24 | 320 (Y) |
| BTN015WR | 15" | .180 | 50 | Black | MS-3367-2 | 100 PC | 0.56 | 320 (Y) |
| BTN145WR | 14-1/2" | .250 | 120 | Black | MS-3367-3 | 100 PC | 0.98 | 320 (Y) |

Adhesive Mount

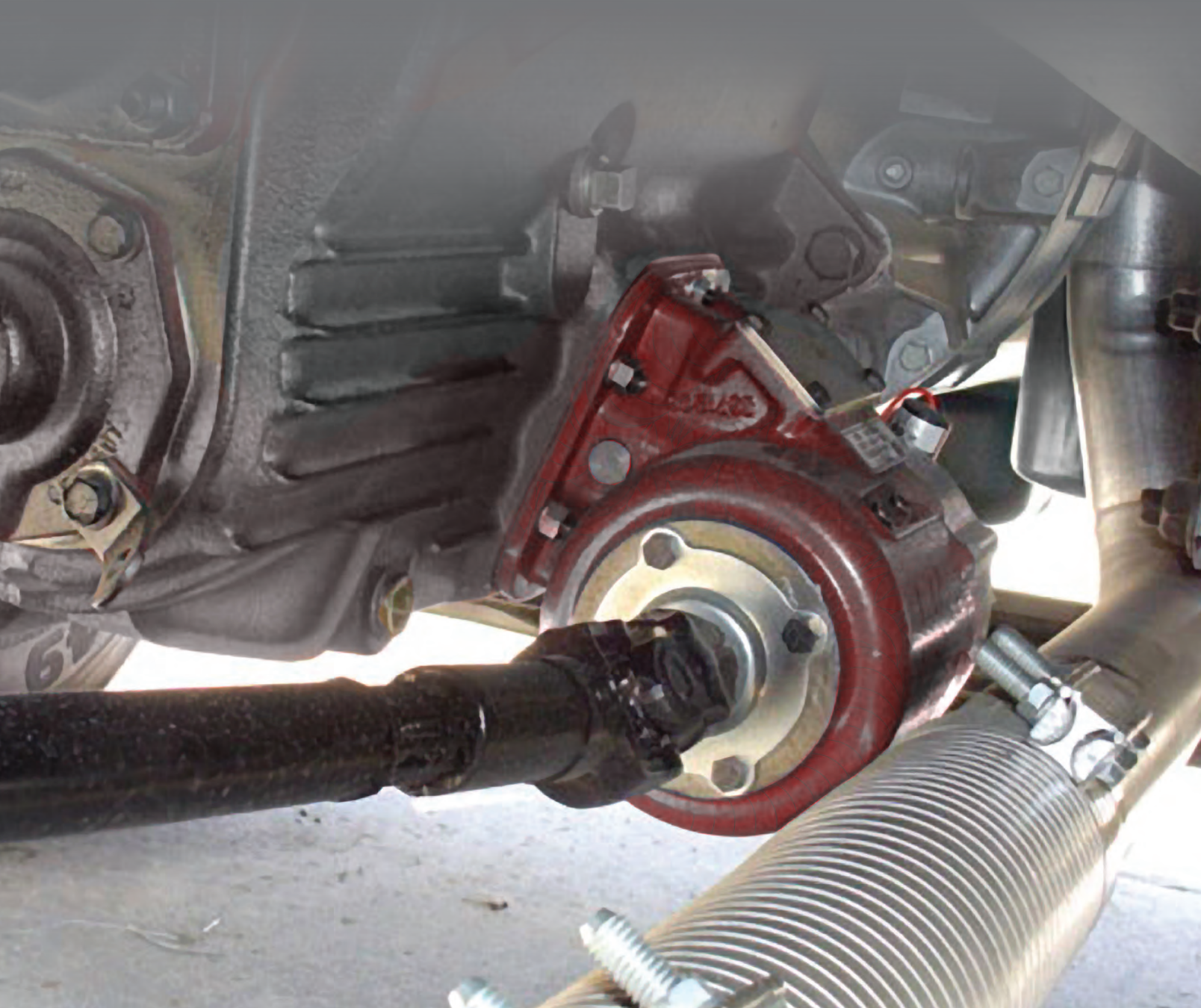


- 1" square adhesive mount
- Also accepts #6 screw
- For all ties to .180 wide
- 100 pcs. per bag
- Color: Natural

| Part No. | Description | Wt. (lbs.) | Cat. |
|----------|----------------|------------|---------|
| B08462 | Adhesive Mount | 0.42 | 320 (Y) |

PTO DRIVELINE

All the universal joints, assemblies and accessories you need to keep your trucks working.



Universal Joint Assemblies, End Yokes

H7 Series Universal Joint Assemblies

- Maximum Recommended Torque (continuous duty 1000 RPM):
Needle Bearing - 800 inch pounds
- Maximum Recommended Angle Of Operation 15° continuous duty
- Interchangeable with other major manufacturers.



2.5000 CLEARANCE DIA.



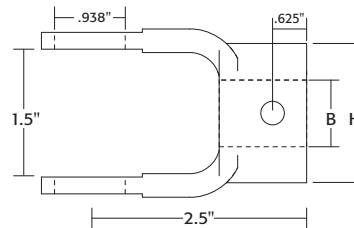
H7 Standard Length



H7 Slip Length

H7 Series End Yoke

- H7-Series needle bearing uses NB7A "U" joint

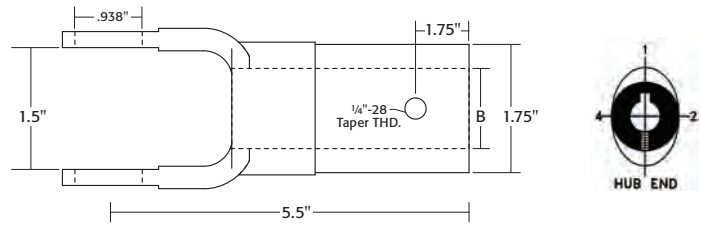


HUB END

| Part No. | Bore Size | Keyway Size | Keyway AT | Set Screw Size | Set Screw AT | H | Cat. |
|------------------------------|--------------|-------------|-----------|----------------|--------------|-------|---------|
| Round Bore at B | | | | | | | |
| 74373 | 5/8" | 3/16" | 1 | 3/8"-16 | 4 | 15/8" | 020 (Y) |
| 7413 | 3/4" | 3/16" | 1 | 3/8"-16 | 4 | 15/8" | 020 (Y) |
| 7423 | 3/4" | 1/4" | 1 | 3/8"-16 | 4 | 15/8" | 020 (Y) |
| 7443 | 13/16" | 1/4" | 1 | 3/8"-16 | 4 | 15/8" | 020 (Y) |
| 7453 | 7/8" | 3/16" | 1 | 3/8"-16 | 4 | 15/8" | 020 (Y) |
| 74263 | 7/8" | 1/4" | 1 | 3/8"-16 | 4 | 15/8" | 020 (Y) |
| 7463 | 7/8" | 1/4" | 2 | 3/8"-16 | 4 | 15/8" | 020 (Y) |
| 74293 | 1" | 1/4" | 1 | 3/8"-16 | 4 | 2" | 020 (Y) |
| 7493 | 1" | 1/4" | 2 | 3/8"-16 | 4 | 2" | 020 (Y) |
| 74393 | 1" | 1/4" | 2 | 3/8"-16 | 1 | 2" | 020 (Y) |
| 74443 | 1" | - | - | 3/8" Pin hole | - | 2" | 020 (Y) |
| 74103 | 1-1/8" | 1/4" | 2 | 3/8"-16 | 4 | 2" | 020 (Y) |
| 74183 | 1-1/4" | 1/4" | 2 | 3/8"-16 | 4 | 2" | 020 (Y) |
| 74123 | 1-1/4" | 5/16" | 2 | 3/8"-16 | 1 | 2" | 020 (Y) |
| 74223 | 1-1/4" | 5/16" | 2 | 3/8"-16 (2) | 1-4 | 2" | 020 (Y) |
| 74323 | 1-1/4" | WELD | - | - | - | 2" | 020 (Y) |
| Square Bore at B | | | | | | | |
| 7422 | 3/4" | - | Square | 3/8"-16 | 4 | 15/8" | 020 (Y) |
| 7412 | 7/8" | - | Square | 3/8"-16 | 4 | 2" | 020 (Y) |
| 7452 | 1" | - | Square | 3/8"-16 | 4 | 2" | 020 (Y) |
| Hex Bore at B | | | | | | | |
| 74282 | 7/8" | - | Hex | 3/8"-16 | 4 | 2" | 020 (Y) |
| 7432 | 1-1/8" | - | Hex | 3/8"-16 | 4 | 2" | 020 (Y) |
| Spline Bore at B | | | | | | | |
| 74481 | 7/8"-13 SP. | Spline | 3/8"-16 | 3 | - | 2" | 020 (Y) |
| Quick Detach Bore | | | | | | | |
| 74141 | 1-3/8"-6 SP. | Spline | O.D. | - | - | 2" | 020 (Y) |
| Rectangular Bore at B | | | | | | | |
| 7424 | 3/4" x 7/8" | Rect.* | - | - | - | 2" | 020 (Y) |
| 7434 | 1" x 1-1/8" | Rect.* | - | - | - | 2" | 020 (Y) |

* Weld Type Yoke for Telescoping Driveline

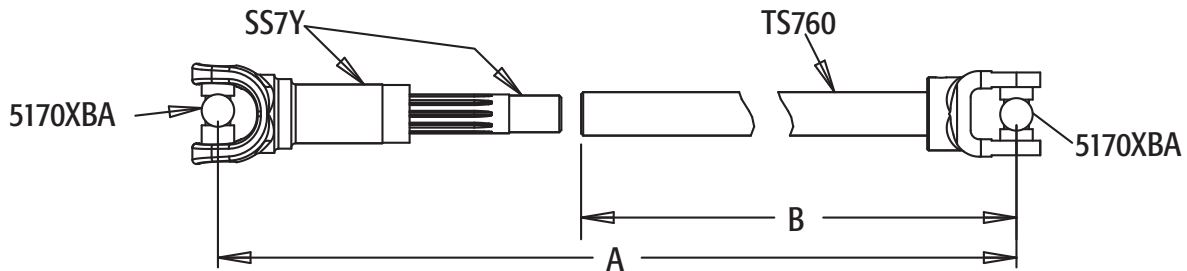
H7 Series Slip Yokes



- H7-Series needle bearing uses NB7A "U" joint

| Part No. | Bore Size | Keyway Size | Keyway AT | Lucricator AT | Cat. |
|-------------------------|---------------|-------------|-----------|---------------|---------|
| Round Bore at B | | | | | |
| 73133 | 7/8" | 1/4" | 1 | 2 | 020 (Y) |
| 73383 | 1" | 1/4" | 1 | 2 | 020 (Y) |
| 7383 | 1" | 1/4" | 2 | 4 | 020 (Y) |
| 73163 | 1-1/4" | 5/16" | 2 | 4 | 020 (Y) |
| Square Bore at B | | | | | |
| 7312 | 3/4" | - | - | 3 | 020 (Y) |
| 7322 | 7/8" | - | - | 3 | 020 (Y) |
| 73122 | 1" | - | - | 3 | 020 (Y) |
| Hex Bore at B | | | | | |
| 73162 | 7/8" | - | - | 3 | 020 (Y) |
| 7332 | 1-1/8" | - | - | 3 | 020 (Y) |
| Spline Bore at B | | | | | |
| 7381 | 1-1/8"-10 SP. | - | - | 3 | 020 (Y) |
| 7351 | 1-1/4"-6 SP. | - | - | 3 | 020 (Y) |

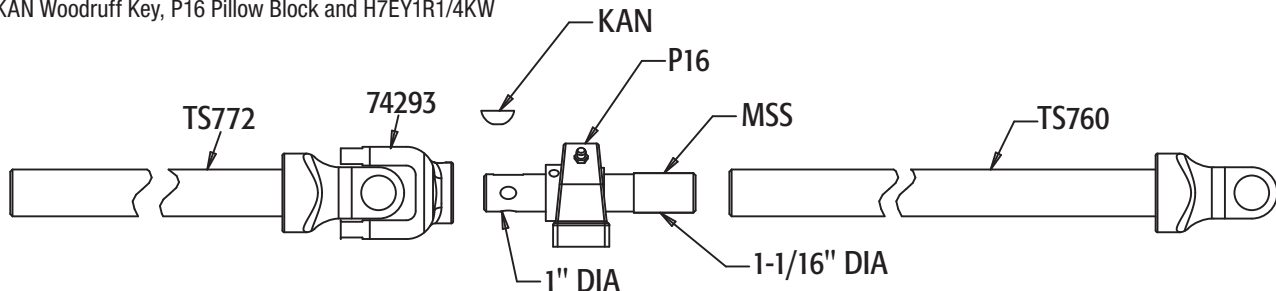
Tubular Shaft Assemblies TSA7 Series



| Part No. | Journal Assembly | Yoke & Stub 1-1/8-10 Spline Kit | Tube & Weld Yoke | Overall Length | A | B Tube & Weld Yoke | Wt. (lbs.) | Cat. |
|----------|------------------|---------------------------------|------------------|----------------|-----|--------------------|------------|---------|
| TSA760 | 5170XBA | SS7Y (Yoke# 7381; Stub# SS) | TS760 | 60" | 55" | 46-1/2" | 12.16 | 040 (Y) |
| TSA772 | 5170XBA | SS7Y (Yoke# 7381; Stub# SS) | TS772 | 72" | 67" | 58-1/2" | 11.20 | 040 (Y) |

TSA7 with Midship Stub

- MSS Stubshaft use with TS760 and TS772 yoke and tubes, KAN Woodruff Key, P16 Pillow Block and H7EY1R1/4KW



Solid Shafting, Adapters, Pin and Block Joints

Solid Shafting

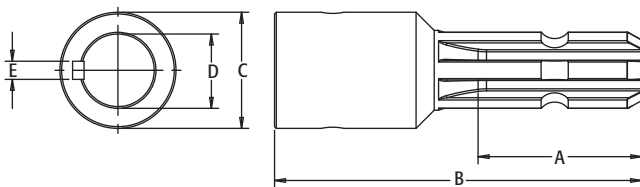
- Buyers solid shafting speeds up P.T.O. installation while the full length keyway eliminates waste and increases strength.
- All solid shafting is produced with driveline shafting grade steel
- Available with round, splined, square, and hex shaftings



| Part No. | Diameter | Keyway | Length | Wt. (lbs.) | Cat. |
|-------------------------|------------------|--------|--------|------------|---------|
| Round Shafting | | | | | |
| 10025372 | 1" | 1/4" | 72" | 16.02 | 110 (Y) |
| 12531372 | 1-1/4" | 5/16" | 72" | 25.02 | 110 (Y) |
| 15037372 | 1-1/2" | 3/8" | 72" | 36.00 | 110 (Y) |
| Splined Shafting | | | | | |
| SH2027 | 1-1/4" 6 Splined | 5/16" | 72" | 23.76 | 110 (Y) |
| Square Shafting | | | | | |
| 870272 | 7/8" Square | - | 72" | 15.60 | 110 (Y) |
| Hex Shafting | | | | | |
| 871272 | 7/8" Hex | - | 72" | 13.50 | 110 (Y) |
| 1121272 | 1-1/8" Hex | - | 72" | 22.38 | 110 (Y) |

Shaft Adapters

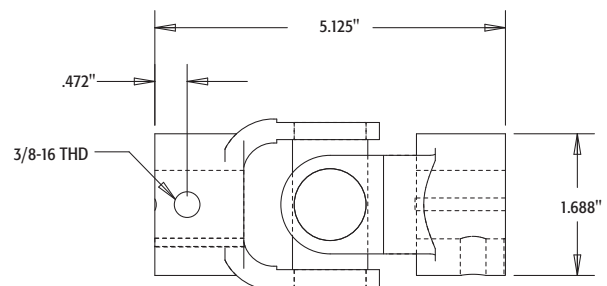
- Designed for tractor trailer drivelines, the 1-3/8"-16 spline is grooved to accommodate quick detach button type yokes



| Part No. | A | B | C | D | E |
|----------|------|------|------|-------|-------|
| SA1 | 3.00 | 6.32 | 2.00 | 1.00 | 1/4" |
| SA2 | 3.00 | 6.32 | 2.00 | 1.125 | 1/4" |
| SA3 | 3.00 | 6.32 | 2.00 | 1.25 | 5/16" |
| SA4 | 3.00 | 7.13 | 2.75 | 1.50 | 3/8" |

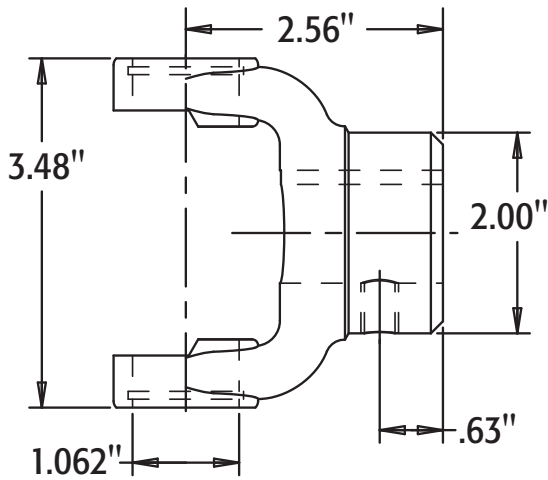
H3 Standard Pin & Block Joints

- Ideal for Tarp Systems
- Max ratng 400 lbs @1000rpm



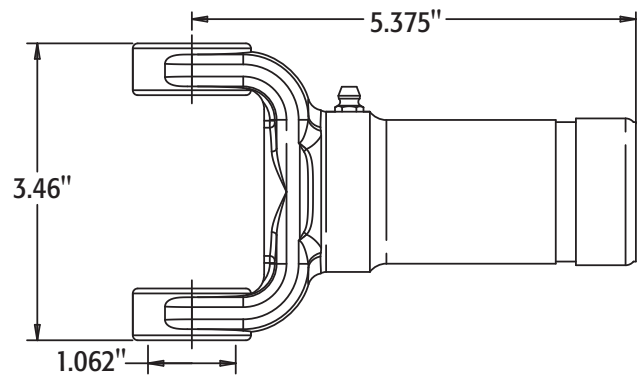
| Part No. | Sizes Stocked |
|-----------|---------------------------|
| H3393X393 | 1R-1/4KW x 1" Round 1/4KW |
| H3293X282 | 1R-1/4KW x 7/8" Hex |
| H3013X013 | 3/4R-3/16KW x 3/4-3/16KW |

B1310 Series End Yokes



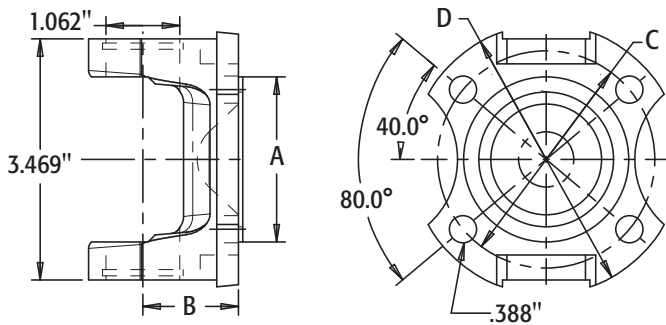
| Part No. | Description | Wt. (lbs.) | Cat. |
|----------|-------------------------------------|------------|---------|
| B24473 | 1" Round, 1/4" KW | 1.80 | 020 (Y) |
| B24503 | 1-1/8" Round, 1/4" KW | 1.66 | 020 (Y) |
| B24533 | 1-1/4" Round, 5/16" KW | 1.73 | 020 (Y) |
| B24573 | 1-1/4" Round, 1/4" KW | 1.73 | 020 (Y) |
| B241103 | 1-1/4" Round, No Keyway No Setscrew | 1.76 | 020 (Y) |
| B243331 | 7/8" 13 Spline Bore | 2.00 | 020 (Y) |
| B2432 | 1-1/8" Hex Bore | 2.40 | 020 (Y) |

B1310 Series Slip Yokes



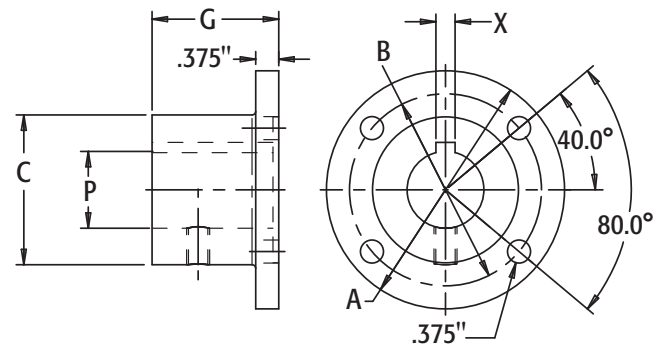
| Part No. | Description | Wt. (lbs.) | Cat. |
|----------|-----------------------|------------|---------|
| B23128KX | 1-3/8" 16 Spline Bore | 2.32 | 020 (Y) |
| B23130 | 1-1/8" 10 Spline Bore | 1.91 | 020 (Y) |
| 11840H | 1-1/8" Hex Bore | 1.91 | 020 (Y) |

B1310 Series Flange Yokes



| Part No. | A | B | C | D | Wt. (lbs.) | Cat. |
|----------|-------|-------|-------|-------|------------|---------|
| B22329 | 2.375 | 1.375 | 3.125 | 3.875 | 1.50 | 020 (Y) |
| B22479 | 2.750 | 1.375 | 3.750 | 4.625 | 2.00 | 020 (Y) |

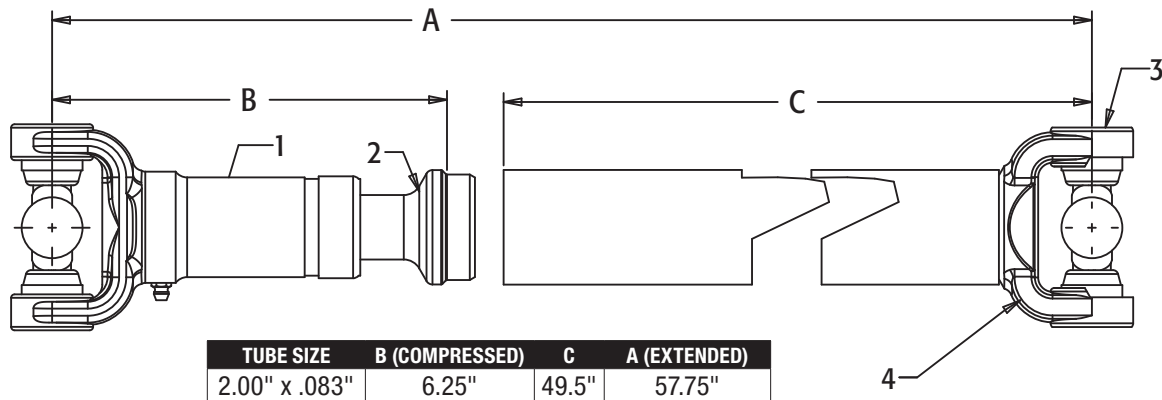
B1310 Series Companion Flange



| Part No. | A | B | C | G | P | X | Wt. (lbs.) | Cat. |
|----------|-------|-------|------|---|------|-------|------------|---------|
| B21333 | 3.875 | 3.125 | 2.44 | 2 | 1.25 | .3125 | 23 | 020 (Y) |

Driveshaft Assemblies

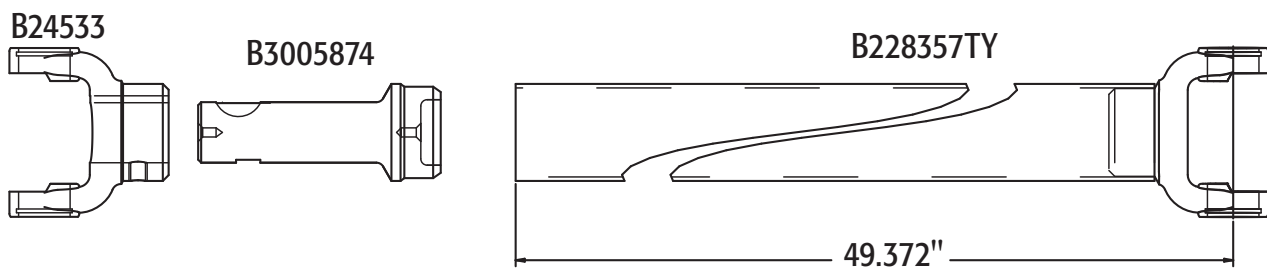
B1310 Tubular Shaft Assembly



| Part No. | Description | Wt. (lbs.) | Cat. |
|-------------|------------------------------|------------|---------|
| B9553SF | B1310 Tubular Shaft Assembly | 15.0 | 020 (Y) |
| B23128KX ① | Slip Yoke, 1-3/8"-16 Spline | 2.32 | 020 (Y) |
| B2401031 ② | Stub Shaft, 1-3/8"-16 Spline | 2.25 | 020 (Y) |
| 5153XBA ③ | Cross Bearing | 1.17 | 020 (Y) |
| B228357TY ④ | Tube and Yoke | 9.26 | 020 (Y) |

B1310 Midship Stub Shaft

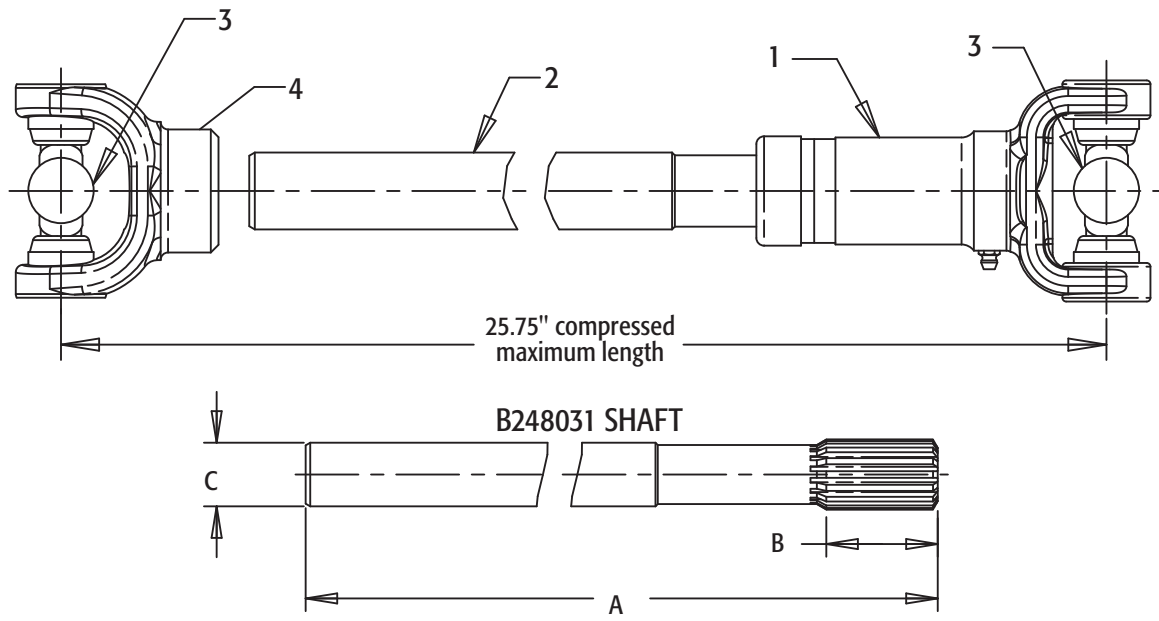
- Stub is used with a P20 Pillow Block, KBN Woodruff Key and B24533 End Yoke.



| Part No. | Description | Wt. (lbs.) | Cat. |
|----------|--------------------------|------------|---------|
| B3005874 | B1310 Midship Stub Shaft | 2.05 | 020 (Y) |

B1310 Solid Shaft Assembly

- Solid Shaft Assembly is used for close coupled applications.

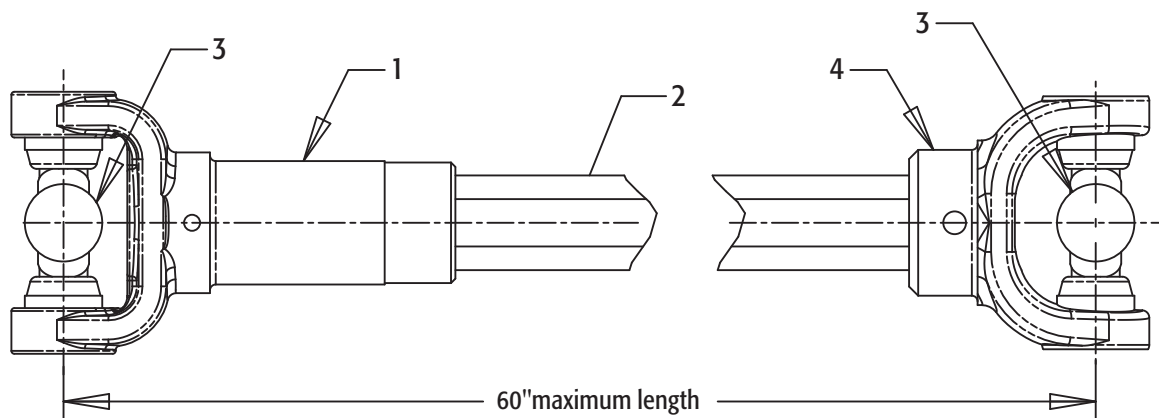


| A | B | C |
|-----|--------------------|--------|
| 24" | 1-3/8" - 16 Spline | 1-1/4" |

| Part No. | Description | Wt. (lbs.) | Cat. |
|------------|-----------------------------|------------|---------|
| B91382SF | B1310 Solid Shaft Assembly | 13.56 | 020 (Y) |
| B23128KX ① | Slip Yoke, 1-3/8"-16 Spline | 2.32 | 020 (Y) |
| B248031 ② | Solid Shaft | 8.31 | 020 (Y) |
| 5153XBA ③ | Cross Kit | 1.17 | 020 (Y) |
| B241103 ④ | Weld Yoke | 1.76 | 020 (Y) |

B1310 1-1/8" Hex Solid Shaft Driveline

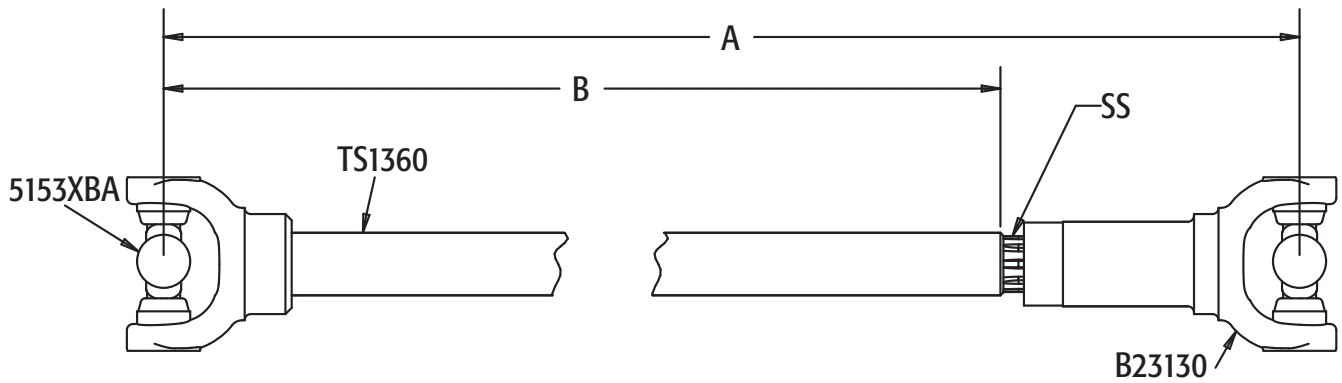
- No Welding Required



| Part No. | Description | Wt. (lbs.) | Cat. |
|-----------|--|------------|---------|
| B91322SF | B1310 1-1/8" Hex Solid Shaft Driveline | 27.65 | 020 (Y) |
| 11840H ① | Slip Yoke, 1-1/8" Hex Slip Yoke | 1.70 | 020 (Y) |
| 1121272 ② | 1-1/8" Hex Shaft | 22.38 | 020 (Y) |
| 5153XBA ③ | Cross Kit | 1.17 | 020 (Y) |
| B2432 ④ | 1-1/8" Hex End Yoke | 2.4 | 020 (Y) |

Tubular Shaft Assemblies

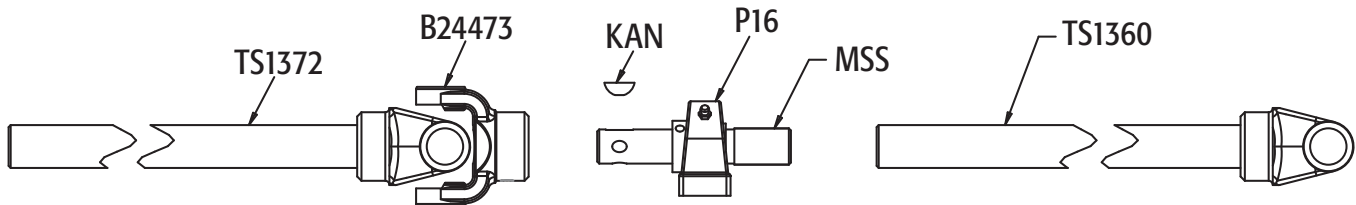
Tubular Shaft Assemblies TSA13 Series



| Part No. | Journal Assembly | Slip Yoke | Stub Shaft | Tube & Weld Yoke | Overall Length | A | B Tube & Weld Yoke | Wt. (lbs.) | Cat. |
|----------|------------------|--------------------|------------|------------------|----------------|-----|--------------------|------------|---------|
| TSA1360 | 5153XBA | B23130 1-1/8-10 SP | SS | TS1360 | 60" | 55" | 46-1/2" | 13.29 | 040 (Y) |
| TSA1372 | 5153XBA | B23130 1-1/8-10 SP | SS | TS1372 | 72" | 67" | 58-1/2" | 14.75 | 040 (Y) |

TSA13 with Midship Stub

- MSS Stubshaft use with TS1360 and TS1372 yoke and tubes, KAN Woodruff Key, P16 Pillow Block and B24473 1"R end yoke



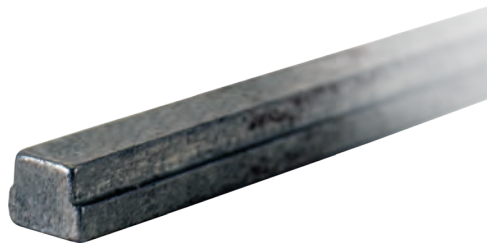
Solid Splined Stub Insert

- 1-1/8" 10 spline stub shaft for use with 1-1/4" dia. tubing with .095 wall



| Part No. | Description | Wt. (lbs.) | Cat. |
|----------|--------------------|------------|---------|
| SS | Solid Splined Stub | 1.50 | 060 (N) |

Step Keys



| Part No. | Description | Wt. (lbs.) | Cat. |
|----------|--------------------|------------|---------|
| KS4512 | 1/4" x 5/16" x 12" | 0.25 | 070 (N) |
| KS5612 | 5/16" x 3/8" x 12" | 0.35 | 070 (N) |

Square Keys/Key Stock



| Part No. | Description | Wt. (lbs.) | Cat. |
|----------|-------------------------|------------|---------|
| KS302 | 3/16" Sq. Key x 2" Long | 0.13 | 070 (N) |
| KS402 | 1/4" Sq. Key x 2" Long | 0.13 | 070 (N) |
| KS404 | 1/4" Sq. Key x 4" Long | 0.13 | 070 (N) |
| KS502 | 5/16" Sq. Key x 2" Long | 0.13 | 070 (N) |
| KS504 | 5/16" Sq. Key x 4" Long | 0.13 | 070 (N) |
| KS602 | 3/8" Sq. Key x 2" Long | 0.13 | 070 (N) |
| KS312 | 3/16" Sq. x 12" Long | 0.13 | 070 (N) |
| KS412 | 1/4" Sq. x 12" Long | 0.25 | 070 (N) |
| KS512 | 5/16" Sq. x 12" Long | 0.38 | 070 (N) |
| KS612 | 3/8" Sq. x 12" Long | 0.50 | 070 (N) |

Woodruff Keys



| Part No. | Description | Wt. (lbs.) | Cat. |
|----------|----------------|------------|---------|
| K5N | 1/8" x 5/8" | 0.01 | 070 (N) |
| K9N | 3/16" x 3/4" | 0.01 | 070 (N) |
| K11N | 3/16" x 7/8" | 0.01 | 070 (N) |
| K15N | 1/4" x 1" | 0.02 | 070 (N) |
| K18N | 1/4" x 1-1/8" | 0.03 | 070 (N) |
| K24N | 1/4" x 1-1/2" | 0.05 | 070 (N) |
| KAN | 1/4" x 7/8" | 0.02 | 070 (N) |
| KBN | 5/16" x 1" | 0.03 | 070 (N) |
| KCN | 5/16" x 1-1/8" | 0.04 | 070 (N) |

Square Head Set Screw Cap Point

- Sold in multiples of 100



| Part No. | Description | Wt. (lbs.) | Cat. |
|----------|---------------------------------------|------------|---------|
| 34 | 3/8"-16 Thd. x 3/4" (3/32" Dia. Hole) | 0.03 | 080 (N) |
| 14 | 1/4"-20 x 3/4" NC (No Hole) | 0.01 | 080 (N) |

Allen Head Set Screws

- Sold in multiples of 100



| Part No. | Description | Wt. (lbs.) | Cat. |
|----------|---------------------|------------|---------|
| 32 | 3/8"-16 Thd. x 1/2" | 0.01 | 080 (N) |
| 38 | 3/8"-16 Thd. x 3/8" | 0.01 | 080 (N) |

Journal Assemblies, Fittings

Journal Assembly



| Part No. | Description | Wt. (lbs.) | Cat. |
|----------|--------------------------|------------|---------|
| NB7A | 15/16" Cap, Inside Lock | 0.50 | 030 (Y) |
| NB10A | 1" Cap, Inside Lock | 0.71 | 030 (Y) |
| NB12A | 11/16" Cap, Inside Lock | 0.83 | 030 (Y) |
| 5153XBA | 11/16" Cap, Outside Lock | 1.17 | 030 (Y) |

Drive-in Grease Fittings

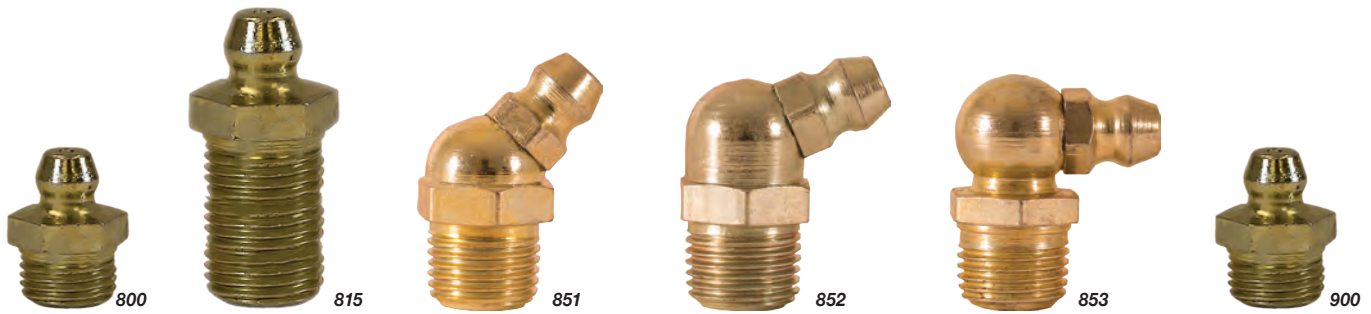
- Sold in multiples of 100



| Part No. | Hole Size | Overall Size | Ball Check | Angle | Wt. (lbs.) | Cat. |
|----------|-----------|--------------|------------|----------|------------|---------|
| 500 | 5/16" | 5/8" | – | Straight | 0.01 | 090 (N) |
| 511 | 3/16" | 5/8" | – | Straight | 0.01 | 090 (N) |
| 515 | 1/4" | 5/8" | – | Straight | 0.01 | 090 (N) |

NPT Thread Grease Fittings

- Sold in multiples of 100



| Part No. | Thread Size | Overall Size | Ball Check | Angle | Wt. (lbs.) | Cat. |
|----------|-------------|--------------|------------|----------|------------|---------|
| 800 | 1/8" NPT | 49/64" | Yes | Straight | 0.01 | 090 (N) |
| 815 | 1/8" NPT | 1-1/4" | Yes | Straight | 0.03 | 090 (N) |
| 851 | 1/8" NPT | 7/8" | Yes | 45° | 0.02 | 090 (N) |
| 852 | 1/8" NPT | 29/32" | Yes | 67-1/2° | 0.02 | 090 (N) |
| 853 | 1/8" NPT | 7/8" | Yes | 90° | 0.02 | 090 (N) |
| 900 | 1/4" NPT | 1/4" | Yes | Straight | 0.03 | 090 (N) |

1/4"-28 Taper Thread Grease Fittings

- Sold in multiples of 100



| Part No. | Thread Size | Overall Size | Ball Check | Angle | Wt. (lbs.) | Cat. |
|----------|-------------|--------------|------------|----------|------------|---------|
| 400 | 1/4"-28 | 39/64" | Short | Straight | 0.01 | 090 (N) |
| 450 | 1/4"-28 | 29/32" | Short | 45° | 0.02 | 090 (N) |
| 455 | 1/4"-28 | 5/16" | Short | 90° | 0.02 | 090 (N) |

Grease Fitting Assortment

- Contains: (25) 400, (10) 450, (10) 455, (10) 511, (20) 800, (10) 851, (5) 852, (10) 853

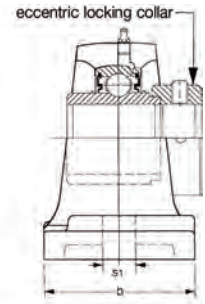
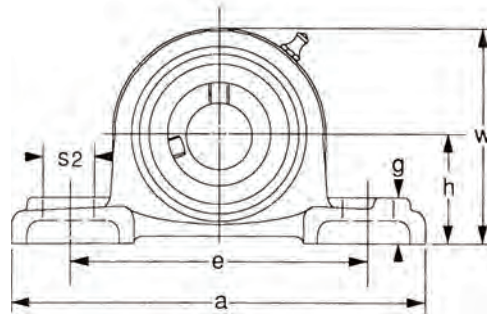
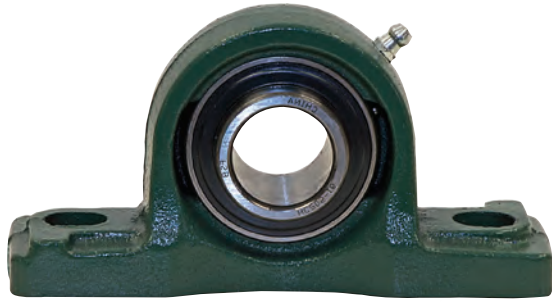


| Part No. | Hole Size | Overall Size | Ball Check | Angle | Wt. (lbs.) | Cat. |
|----------|---|--------------|------------|-------|------------|---------|
| 1148 | Grease Fitting Assortment, 100 Pcs. Packaged in a Durable Labeled Box | | | | 1.49 | 090 (N) |

Precision Ground Pillow Blocks

Precision Ground Pillow Block - Eccentric Locking Collar Style

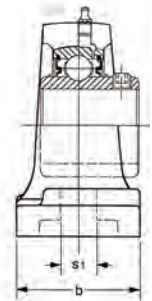
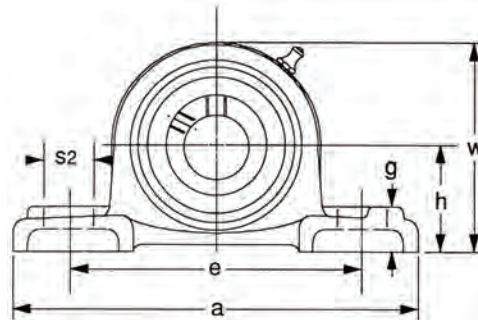
- Self-aligning, replaceable bearings are produced with eccentric locking collars which allows for higher RPM's & provides longer life



| Part No. | Bearing Only Part No. | Shaft Dia | H | A | E | B | S1 | S2 | G | W | Bolt Used | Wt. (lbs.) | Cat. |
|----------|-----------------------|-----------|----------|---------|----------|--------|--------|--------|--------|----------|-----------|------------|---------|
| P12 | - | 3/4" | 1-5/16" | 5" | 3-3/4" | 1-1/2" | 1/2" | 3/4" | 19/32" | 2-31/64" | 3/8" | 1.15 | 390 (Y) |
| P14 | AR014 | 7/8" | 1-7/16" | 5-1/2" | 4-1/8" | 1-1/2" | 1/2" | 3/4" | 19/32" | 2-25/32" | 3/8" | 1.90 | 390 (Y) |
| P15 | AR015 | 15/16" | 1-7/16" | 5-1/2" | 4-1/8" | 1-1/2" | 1/2" | 3/4" | 19/32" | 2-25/32" | 3/8" | 1.90 | 390 (Y) |
| P16 | - | 1" | 1-7/16" | 5-1/2" | 4-1/8" | 1-1/2" | 1/2" | 3/4" | 19/32" | 2-25/32" | 3/8" | 1.90 | 390 (Y) |
| P18 | - | 1-1/8" | 1-11/16" | 6-1/2" | 4-3/4" | 1-7/8" | 21/32" | 13/16" | 11/16" | 3-5/16" | 1/2" | 3.25 | 390 (Y) |
| P20 | - | 1-1/4" | 1-7/8" | 6-9/16" | 5" | 1-7/8" | 21/32" | 13/16" | 3/4" | 3-21/32" | 1/2" | 4.10 | 390 (Y) |
| P24 | - | 1-1/2" | 1-15/16" | 7-1/4" | 5-13/32" | 2-1/8" | 21/32" | 13/16" | 25/32" | 3-27/32" | 1/2" | 4.75 | 390 (Y) |

Precision Ground Pillow Block - Set Screw Style

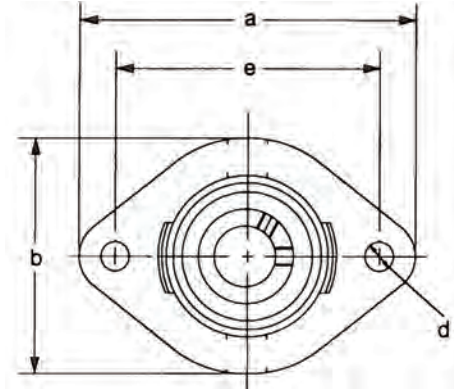
- Self-aligning, replaceable bearing, with extended inner race, set screw locking



| Part No. | Shaft Dia | H | A | E | B | S1 | S2 | G | W | Bolt Used | Wt. (lbs.) | Cat. |
|----------|-----------|----------|----------|----------|--------|--------|--------|--------|----------|-----------|------------|---------|
| P12SCR | 3/4" | 1-5/16" | 5" | 3-3/4" | 1-1/2" | 1/2" | 3/4" | 5/8" | 2-31/64" | 3/8" | 1.6 | 390 (Y) |
| P16SCR | 1" | 1-7/16" | 5-1/2" | 4-1/8" | 1-1/2" | 1/2" | 3/4" | 5/8" | 2-25/32" | 3/8" | 1.9 | 390 (Y) |
| P18SCR | 1-1/8" | 1-11/16" | 6-1/2" | 4-3/4" | 1-7/8" | 21/32" | 13/16" | 23/32" | 3-5/16" | 1/2" | 3.4 | 390 (Y) |
| P20SCR | 1-1/4" | 1-11/16" | 6-1/2" | 4-3/4" | 1-7/8" | 21/32" | 13/16" | 23/32" | 3-5/16" | 1/2" | 3.3 | 390 (Y) |
| P22SCR | 1-3/8" | 1-7/8" | 6-9/16" | 5" | 1-7/8" | 21/32" | 13/16" | 23/32" | 3-21/32" | 1/2" | 4.0 | 390 (Y) |
| P24SCR | 1-1/2" | 1-15/16" | 7-1/4" | 5-13/32" | 2-1/8" | 21/32" | 13/16" | 25/32" | 3-27/32" | 1/2" | 5.0 | 390 (Y) |
| P28SCR | 1-3/4" | 2-1/8" | 7-15/32" | 5-3/4" | 2-1/8" | 21/32" | 13/16" | 55/64" | 4-3/16" | 1/2" | 5.6 | 390 (Y) |
| P30SCR | 1-15/16" | 2-1/4" | 8-1/8" | 6-1/4" | 2-3/8" | 25/32" | 7/8" | 7/8" | 4-7/16" | 5/8" | 7.0 | 390 (Y) |
| P32SCR | 2" | 2-1/2" | 8-5/8" | 6-23/32" | 2-3/8" | 25/32" | 7/8" | 61/64" | 4-29/32" | 5/8" | 8.5 | 390 (Y) |
| P18HEX | 1-1/8 Hex | 1-7/8" | 6-9/16" | 5" | 1-7/8" | 21/32" | 13/16" | 3/4" | 3-21/32" | 1/2" | 3.65 | 390 (Y) |

Spreader and Jackshaft Bearing

- Cast iron housing for use on spreaders, wreckers & similar type applications



| Part No. | Description | Bore | A | B | C | D | Wt. (lbs.) | Cat. |
|----------|----------------------|------|--------|----|----------|--------|------------|---------|
| 2FS16 | 2 Hole Mount Bearing | 1" | 3-3/4" | 3" | 2-25/32" | 25/64" | 0.9 | 390 (Y) |

Heavy-Duty, Adjustable Bronze Bearing Hanger Assy.

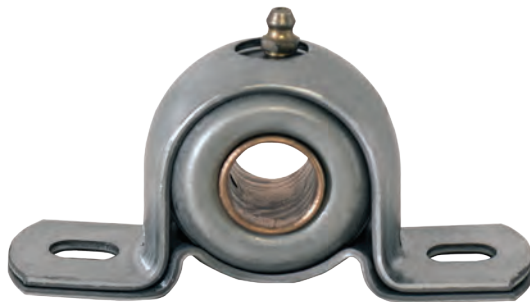
- Self-aligning
- #EJ Replacement bearing only
- Specify size (i.e. E16J)



| Part No. | Description | Wt. (lbs.) | Cat. |
|----------|-------------|------------|---------|
| DKE14JSQ | 7/8" Square | 2.50 | 440 (Y) |

Bronze Bearing Pillow Block

- Self-aligning

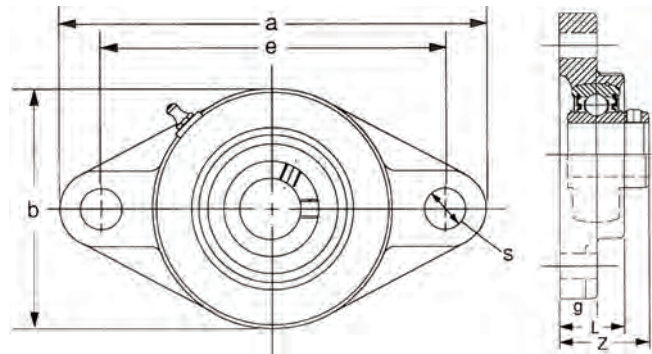


| Part No. | Description | Wt. (lbs.) | Cat. |
|----------|---------------------|------------|---------|
| BFE12G | 3/4" Pillow Block | 0.70 | 390 (Y) |
| BFE13G | 13/16" Pillow Block | 0.70 | 390 (Y) |
| BFE16G | 1" Pillow Block | 0.70 | 390 (Y) |
| BFE20G | 1-1/4" Pillow Block | 0.70 | 390 (Y) |

Fittings and Flange Units

2 Hole Eccentric Locking Collar Style or Set Screw Flange Units

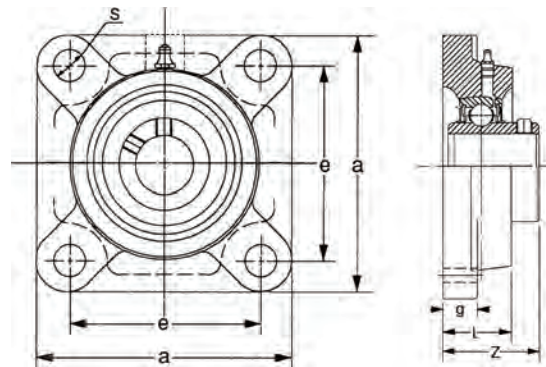
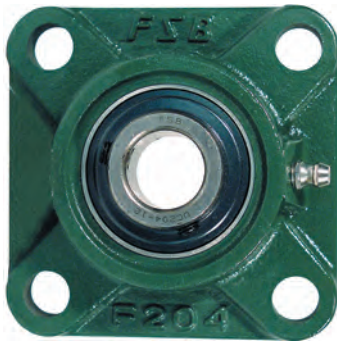
- These quality flange units are produced with self-aligning replaceable bearings and an eccentric locking collar



| PART NO. | SHAFT DIA. | A | E | G | L | S | B | Z | BOLT USED | Wt. (lbs.) | Cat. |
|--------------------------|------------|----------|----------|--------|----------|--------|----------|----------|-----------|------------|---------|
| LOCK COLLAR STYLE | | | | | | | | | | | |
| 2F12 | 3/4" | 4-13/32" | 3-17/32" | 7/16" | 1-5/32" | 13/32" | 2-3/8" | 1-25/32" | 3/8" | 1.20 | 390 (Y) |
| 2F16 | 1" | 4-7/8" | 3-57/64" | 17/32" | 1-7/32" | 1/2" | 2-3/4" | 1-27/32" | 3/8" | 2.00 | 390 (Y) |
| 2F20 | 1-1/4" | 6-1/8" | 5-1/8" | 9/16" | 1-7/16" | 35/64" | 3-3/4" | 2-1/8" | 7/16" | 3.40 | 390 (Y) |
| SET SCREW STYLE | | | | | | | | | | | |
| 2F12SCR | 3/4" | 4-7/16" | 3-35/64" | 7/16" | 1" | 15/32" | 2-3/8" | 15/16" | 3/8" | 1.20 | 390 (Y) |
| 2F16SCR | 1" | 5-1/8" | 3-57/64" | 1/2" | 1-1/16" | 5/8" | 2-11/16" | 1-13/32" | 1/2" | 1.40 | 390 (Y) |
| 2F18SCR | 1-1/8" | 5-13/16" | 4-39/64" | 1/2" | 1-7/32" | 5/8" | 3-5/32" | 1-19/32" | 1/2" | 2.00 | 390 (Y) |
| 2F20SCR | 1-1/4" | 5-13/16" | 4-39/64" | 1/2" | 1-7/32" | 5/8" | 3-5/32" | 1-19/32" | 1/2" | 2.00 | 390 (Y) |
| 2F24SCR | 1-1/2" | 6-7/8" | 5-43/64" | 9/16" | 1-13/32" | 5/8" | 3-15/16" | 2-1/32" | 1/2" | 3.50 | 390 (Y) |

4 Hole Eccentric Locking Collar Style or Set Screw Flange Units

- These quality flange units are produced with self-aligning replaceable bearings and an eccentric locking collar



| PART NO. | SHAFT DIA. | A | E | G | L | S | Z | BOLT USED | Wt. (lbs.) | Cat. |
|--------------------------|------------|----------|----------|--------|----------|--------|----------|-----------|------------|---------|
| LOCK COLLAR STYLE | | | | | | | | | | |
| 4F16 | 1" | 3-3/4" | 2-3/4" | 7/16" | 1-3/8" | 29/64" | 1-57/64" | 3/8" | 2.15 | 390 (Y) |
| 4F20 | 1-1/4" | 4-5/8" | 3-5/8" | 1/2" | 1-1/2" | 33/64" | 2-5/32" | 7/16" | 4.00 | 390 (Y) |
| 4F24 | 1-1/2" | 5-1/8" | 4" | 5/8" | 1-5/8" | 35/64" | 2-11/32" | 1/2" | 4.75 | 390 (Y) |
| SET SCREW STYLE | | | | | | | | | | |
| 4F12SCR | 3/4" | 3-3/8" | 2-33/64" | 15/32" | 1" | 15/32" | 1-5/16" | 3/8" | 1.40 lbs. | 390 (Y) |
| 4F16SCR | 1" | 3-3/4" | 2-3/4" | 9/16" | 11/16" | 15/32" | 1-13/32" | 3/8" | 1.80 lbs. | 390 (Y) |
| 4F20SCR | 1-1/4" | 4-1/4" | 3-17/64" | 9/16" | 17/32" | 15/32" | 1-19/32" | 3/8" | 2.40 lbs. | 390 (Y) |
| 4F24SCR | 1-1/2" | 5-1/8" | 4-1/64" | 5/8" | 1-13/32" | 5/8" | 2-1/32" | 1/2" | 4.20 lbs. | 390 (Y) |
| 4F28SCR | 1-3/4" | 5-13/32" | 4-9/64" | 23/32" | 1-1/2" | 5/8" | 2-1/16" | 1/2" | 5.10 lbs. | 390 (Y) |
| 4F30SCR | 1-15/16" | 5-5/8" | 4-3/8" | 23/32" | 1-9/16" | 5/8" | 2-5/32" | 1/2" | 5.80 lbs. | 390 (Y) |
| 4F32SCR | 2" | 6-3/8" | 5-1/8" | 25/32" | 1-11/16" | 3/4" | 2-5/16" | 5/8" | 7.50 lbs. | 390 (Y) |

WORK APPAREL



Work Apparel

Multi-Use Commercial Work Gloves



- Durable, synthetic leather palm
- Comfortable, form fitting back
- Vented fingers for breathability
- Adjustable wrist closure for optimum fit
- Retail cut case box included with 9901000

| Part No. | Description | Wt. (lbs.) | Cat. |
|----------|---|------------|---------|
| 9901000 | Case Pack Black Work Gloves. Includes: 10-Pair X-Large and 10-Pair XX-Large | 5.60 | 990 (N) |
| 9901005 | Large Black Work Gloves | 0.23 | 990 (N) |
| 9901010 | X-Large Black Work Gloves | 0.24 | 990 (N) |
| 9901015 | XX-Large Black Work Gloves | 0.24 | 990 (N) |

Buyers Products Black Knit Hat



- One size fits all
- Embroidered Buyers Products Logo

| Part No. | Description | Wt. (lbs.) | Cat. |
|----------|----------------|------------|-----------|
| 9901100 | Black Knit Hat | 0.13 | 903-1 (N) |

High-Visibility Safety Vests



- Full ANSE/ISEA 107-2004 Class II compliance
- 1-1/2" 3M Scotchlite™ reflective material
- Cool, breathable flourescent line mesh fabric
- Hook and loop closures
- (1) Chest pocket and (1) inner pocket
- Machine washable

| Part No. | Description | Wt. (lbs.) | Cat. |
|----------|-------------|------------|---------|
| 9921000 | Medium | 0.45 | 992 (Y) |
| 9921005 | Large | 0.50 | 992 (Y) |
| 9921010 | X-Large | 0.55 | 992 (Y) |
| 9921015 | XX-Large | 0.60 | 992 (Y) |

AISI: American Iron and Steel Institute

BHN: Brinell Hardness Number - commonly used to define the hardness of materials like metals and alloys by measuring the force needed to cause an indentation.

CA13 rating: specifies maximum brightness for amber colored lights

DOT: Department of Transportation - the agency dealing with regulations concerning both the manufacture and operation of motor vehicles and equipment

FMVSS 108: Federal Motor Vehicle Safety Standard regulating all type, location, and performance requirements for automotive lighting, signaling and reflective devices

FMVSS 571.106: DOT specs for air push lock fittings on mobile applications

FSD: Full scale deflection

GPM: Gallons per minute

HDPE: High Density Polyethylene

HG: Inches of Mercury- vacuum

HRPO: Hot rolled, Pickled and oiled pertaining to steel treatment

ICC: Interstate Commerce Commission - the former federal agency that regulated requirements for motor carriers

JIC: Joint Industry Committee - the organization set up to standardize hydraulic fitting specifications and symbols

LED: Light Emitting Diode -two-lead semiconductor light source that emits light when activated

Lumens: A measure of brightness in which one lumen is equal to the light of a light candle from one foot away

MBS: Minimum Breaking Strength - force required to make the lifting equipment fail or yield, also known as the Minimum Breaking Load (MBL).

MGTW: Maximum Gross Trailer Weight - The largest weight of both trailer and its contents that can be safely towed by a coupling device

Micron: Micrometer = .001mm or .000039 inch equal to 1 thousandth of a millimeter

MVL: Maximum Vertical Load - The maximum recommended static vertical load (down) that can be applied to a coupling device for safe operation.

NPSF: National Pipe Female Swivel

NPSM: National Pipe Swivel Male

NPT: National Pipe Thread

NPTF: National Pipe Thread Fine

PSI: Pounds per square inch

PTO: Power Take off Option

RPM: Revolutions per minute

SAE: Society of Automotive Engineers – set standards for automotive equipment including lighting and towing

SAE J585: Standards for tail lamps

SAE J845: Standards for optical warning devices for authorized emergency, maintenance and service vehicles

SAE J994: Standards for back-up alarms

SST: Stainless Steel

TFT LCD: Thin-Film-Transistor Liquid-Crystal Display

TPI: Threads per inch

UHMW: Ultra High Molecular Weight – highest density polyethylene

UNF: Unified National Fine - thread standard for bolts, nuts and fasteners

VDC: Voltage Direct Current - measurement in a DC system

WLL: Working Load Limit - maximum working load designed by the manufacturer

WOG: Water, oil and gas

Numerical Index

| PART NO. | PAGE NO. | PART NO. | PAGE NO. | PART NO. | PAGE NO. | PART NO. | PAGE NO. | PART NO. | PAGE NO. |
|---------------|----------|---------------|----------|---------------|----------|--------------|----------|------------------|----------|
| 0091015..... | B38 | 04025..... | H27 | 1492118..... | C50 | 1701030..... | A9 | 1702840..... | A10 |
| 0091050..... | B33 | 04035..... | H27 | 1492119..... | C47 | 1701031..... | A9 | 1702840TRAY..... | A10 |
| 0091050Z..... | B33 | 06005..... | H6 | 1492120..... | C46 | 1701040..... | A9 | 1702850..... | A10 |
| 0091052..... | B33 | 06010..... | H6 | 1492121..... | C46 | 1701041..... | A9 | 1702850TRAY..... | A10 |
| 0091055..... | B33 | 06015..... | H5 | 1492125..... | C46 | 1701280..... | A17 | 1702860..... | A10 |
| 0091058..... | B33 | 06020..... | H5 | 1492126..... | C46 | 1701281..... | A17 | 1702860TRAY..... | A10 |
| 0091058Z..... | B33 | 06025..... | H4 | 1492127..... | C45 | 1701285..... | A17 | 1702900..... | A7 |
| 0091060..... | B33 | 06030..... | H4 | 1492128..... | C47 | 1701380..... | A17 | 1702905..... | A7 |
| 0091060Z..... | B33 | 06035..... | H29 | 1492129..... | C48 | 1701385..... | A17 | 1702910..... | A7 |
| 0091061..... | B33 | 1..... | H4 | 1492130..... | C44 | 1701551..... | A10 | 1702940..... | A10 |
| 0091065..... | B33 | 1000..... | I14 | 1492134..... | C47 | 1701556..... | A10 | 1702940TRAY..... | A10 |
| 0091091..... | B34 | 10025372..... | L4 | 1492135..... | C50 | 1701561..... | A10 | 1702950..... | A10 |
| 0091097..... | B34 | 10035..... | B4 | 1492136..... | C48 | 1701565..... | A10 | 1702950TRAY..... | A10 |
| 0091205..... | B39 | 10038..... | B4 | 1492137..... | C48 | 1701568..... | A10 | 1702960..... | A10 |
| 0091210..... | B40 | 10040..... | B4 | 1492138..... | C49 | 1701679..... | A17 | 1702960TRAY..... | A10 |
| 0091215..... | B39 | 10042..... | B5 | 1492139..... | C49 | 1701680..... | A17 | 1703100..... | A5 |
| 0091220..... | B40 | 10045..... | B3 | 1492140..... | C52 | 1702100..... | A5 | 1703103..... | A5 |
| 0091225..... | B40 | 10050..... | B3 | 1492141..... | C52 | 1702103..... | A5 | 1703150..... | A5 |
| 0091260..... | B41 | 10052..... | B3 | 1492142..... | C52 | 1702105..... | A5 | 1703203..... | A7 |
| 0091261..... | B41 | 10055..... | B3 | 1492150..... | C53 | 1702110..... | A5 | 1703300..... | A5, A15 |
| 0091265..... | B41 | 10057..... | B3 | 1492151..... | C53 | 1702115..... | A5 | 1703303..... | A5 |
| 0091266..... | B41 | 1055..... | G11 | 1492152..... | C53 | 1702200..... | A7 | 1703305..... | A5 |
| 0091310..... | B40 | 1121272..... | L4, L7 | 1492153..... | C53 | 1702203..... | A7 | 1703330..... | A5 |
| 0091340..... | B40 | 1148..... | L11 | 1492160..... | C54 | 1702205..... | A7 | 1703349..... | A5 |
| 0091405H..... | B41 | 11840H..... | L5, L7 | 1492161..... | C54 | 1702210..... | A7 | 1703350..... | A5 |
| 0091410..... | B41 | 1207R..... | K23 | 1492162..... | C54 | 1702215..... | A7 | 1703351..... | A7 |
| 0091410H..... | B41 | 1220R..... | K23 | 1492163..... | C55 | 1702235..... | A3 | 1703352..... | A7 |
| 0091415..... | B41 | 1238..... | K23 | 1492165..... | C55 | 1702240..... | A3 | 1703400..... | A7, A15 |
| 0091415H..... | B41 | 1250..... | K23 | 1492171..... | C55 | 1702250..... | A3 | 1703403..... | A7 |
| 0091540..... | B35 | 12531372..... | L4 | 1492172..... | C56 | 1702295..... | A5 | 1703405..... | A7 |
| 0091543..... | B35 | 13006027..... | E6 | 1492175..... | C56 | 1702300..... | A5 | 1703700..... | A8 |
| 0091545..... | B35 | 13006039..... | E6 | 1492182..... | C56 | 1702303..... | A5 | 1703703..... | A8 |
| 0091550..... | B35 | 1304719..... | D5 | 1492183..... | C57 | 1702305..... | A5 | 1703705..... | A8 |
| 0091553..... | B35 | 13060510..... | I52, I54 | 1492184..... | C57 | 1702310..... | A5 | 1703900..... | A7, A15 |
| 0091555..... | B35 | 1306070..... | D5 | 1492185..... | C57 | 1702315..... | A5 | 1704300..... | A5 |
| 0091558..... | B35 | 1306300..... | D5 | 1492190..... | C51 | 1702317..... | A5 | 1704303..... | A5 |
| 0091560..... | B33 | 1306317..... | D5 | 1492191..... | C51 | 1702325..... | A5 | 1704305..... | A5 |
| 0091562..... | B33 | 1306505..... | D6, I54 | 1492215..... | C44 | 1702400..... | A7 | 1704310..... | A5 |
| 0091595..... | B34 | 1306515..... | D6 | 1492218..... | C50 | 1702403..... | A7 | 1704315..... | A5 |
| 0091610..... | B39 | 1306600..... | D6, F8 | 1492237..... | C49 | 1702405..... | A7 | 1704400..... | A7 |
| 0093500..... | B39 | 1308103..... | G17 | 1492290..... | C51 | 1702410..... | A7 | 1704403..... | A7 |
| 01070..... | G13 | 1308105..... | G18 | 1493118..... | C50 | 1702415..... | A7 | 1704405..... | A7 |
| 01075..... | G13 | 1308106..... | G17 | 1493215..... | C45 | 1702417..... | A7 | 1704410..... | A7 |
| 01076..... | G13 | 1308107..... | G18 | 1493218..... | C50 | 1702500..... | A5 | 1704415..... | A7 |
| 01077..... | G13 | 1308110..... | G18 | 1501100..... | E9 | 1702503..... | A5 | 1704705..... | A8 |
| 01080..... | G13 | 1308111..... | G17 | 1501105..... | E10 | 1702505..... | A5 | 1704710..... | A8 |
| 01090..... | G13 | 1308115..... | G18 | 1501110..... | E10 | 1702510..... | A5 | 1704715..... | A8 |
| 01091..... | G14 | 1308125..... | G17, G18 | 1501193..... | E10 | 1702595..... | A8 | 1705100..... | A2 |
| 01100..... | G14 | 1308150..... | G18 | 1501200..... | E9 | 1702600..... | A8 | 1705101..... | A2 |
| 01120..... | G14 | 1308160..... | G18 | 1501210..... | E9 | 1702603..... | A8 | 1705103..... | A2 |
| 01130..... | G14 | 1311100..... | D15 | 1501310..... | E9 | 1702605..... | A8 | 1705105..... | A2 |
| 02005..... | G6 | 1311103..... | D15 | 1501311..... | E9 | 1702610..... | A8 | 1705110..... | A2 |
| 02010..... | G7 | 1311110..... | D15 | 15037372..... | L4 | 1702650..... | A8 | 1705115..... | A2 |
| 02020..... | G5 | 14..... | L9 | 1701000..... | A9 | 1702653..... | A8 | 1705118..... | A2 |
| 02030..... | G8 | 1492100..... | C58 | 1701001..... | A9 | 1702655..... | A8 | 1705120..... | A2 |
| 02040..... | G2 | 1492106..... | C51 | 1701005..... | A9 | 1702660..... | A8 | 1705130..... | A2 |
| 02050..... | G3 | 1492107..... | C51 | 1701005B..... | A9 | 1702700..... | A8 | 1705133..... | A2 |
| 02055..... | G4 | 1492110..... | C43 | 1701006..... | A9 | 1702703..... | A8 | 1705135..... | A2 |
| 03010..... | H31 | 1492111..... | C43 | 1701006B..... | A9 | 1702705..... | A8 | 1705150..... | A1 |
| 03015..... | H31 | 1492112..... | C43 | 1701010..... | A9 | 1702710..... | A8 | 1705153..... | A2 |
| 03020..... | H31 | 1492113..... | C45 | 1701010B..... | A9 | 1702715..... | A8 | 1705160..... | A2 |
| 03025..... | H31 | 1492114..... | C43 | 1701011..... | A9 | 1702725..... | A8 | 1705180..... | A19 |
| 03030..... | H32 | 1492115..... | C44 | 1701011B..... | A9 | 1702805..... | A8 | 1705181..... | A19 |
| 04005..... | H42 | 1492116..... | C44 | 1701015..... | A9 | 1702810..... | A8 | 1705182..... | A19 |
| 04010..... | H42 | 1492117..... | C47 | 1701016..... | A9 | 1702815..... | A8 | 1705183..... | A19 |

Numerical Index

| PART NO. | PAGE NO. | PART NO. | PAGE NO. | PART NO. | PAGE NO. | PART NO. | PAGE NO. | PART NO. | PAGE NO. |
|--------------|----------|--------------|----------|---------------|----------|----------------|----------|--------------------|----------|
| 1705190..... | A19 | 1712230..... | A14 | 1742300..... | A6 | 1803005..... | B23 | 1901006..... | G9 |
| 1705200..... | A2 | 1712240..... | A14 | 1742303..... | A6 | 1803006..... | B24 | 1903000..... | G14 |
| 1705201..... | A2 | 1712250..... | A14 | 1742305..... | A6 | 1803007..... | B23 | 1903001..... | G14 |
| 1705203..... | A2 | 1712255..... | A14 | 1742310..... | A6 | 1803009..... | B23 | 1903005..... | G10 |
| 1705205..... | A3 | 1712260..... | A14 | 1742315..... | A6 | 1803010..... | B23 | 1903005LH..... | G10 |
| 1705210..... | A3 | 1717100..... | A4 | 1742325..... | A6 | 1803013..... | B23 | 1903020..... | G10 |
| 1705215..... | A3 | 1717105..... | A4 | 1742335..... | A6 | 1803014..... | B23 | 1903030..... | G10 |
| 1705305..... | A3 | 1717110..... | A4 | 1801000..... | B17 | 1803015..... | B23 | 1903035..... | G10 |
| 1705310..... | A3 | 1720305..... | A12 | 1801005..... | B17 | 1803016..... | B24 | 1903040..... | G10 |
| 1705315..... | A3 | 1720308..... | A12 | 1801020..... | B17 | 1803017..... | B23 | 1903050..... | G14 |
| 1705333..... | A3 | 1720315..... | A12 | 1801050..... | B18 | 1803019..... | B23 | 1903052..... | G14 |
| 1705335..... | A3 | 1720318..... | A12 | 1801050L..... | B18 | 1803050..... | B24 | 1903055..... | G14 |
| 1705340..... | A3 | 1721010..... | A13 | 1801051..... | B18 | 1803051..... | B24 | 1903060..... | G10 |
| 1705345..... | A3 | 1721020..... | A13 | 1801051L..... | B18 | 1803055..... | B24 | 1903065..... | G10 |
| 1705405..... | A3 | 1721025..... | A13 | 1801052..... | B18 | 1803056..... | B24 | 1903066..... | G10 |
| 1705410..... | A3 | 1721030..... | A13 | 1801053..... | B17 | 1803058..... | B24 | 1903070..... | G10 |
| 1705415..... | A3 | 1721551..... | A10 | 1801055..... | B17 | 1803059..... | B24 | 1903110..... | G14 |
| 1705420..... | A3 | 1721556..... | A10 | 1801100..... | B18 | 1803060..... | B24 | 19CH545..... | H28 |
| 1705425..... | A3 | 1721561..... | A10 | 1801102..... | B18 | 1803065..... | B24 | 2..... | H4 |
| 1705430..... | A3 | 1721565..... | A10 | 1801111..... | B18 | 1803090..... | B25 | 20..... | K21 |
| 1705435..... | A3 | 1721568..... | A10 | 1801119..... | B18 | 1803093..... | B25 | 2000..... | I14 |
| 1705440..... | A3 | 1725100..... | A4 | 1801120..... | B17 | 1803095..... | B25 | 203..... | I23 |
| 1705445..... | A3 | 1725101..... | A4 | 1801125..... | B17 | 1803100CR..... | B23 | 203D42PRPB..... | I23 |
| 1705450..... | A3 | 1725103..... | A4 | 1801208A..... | B18 | 1803105..... | B23 | 203D4PR42PRPB..... | I23 |
| 1705640..... | A11 | 1725105..... | A4 | 1801214..... | B18 | 1803110..... | B23 | 203PB..... | I23 |
| 1705641..... | A11 | 1725110..... | A4 | 1801301..... | B18 | 1803210..... | B20 | 204..... | I23 |
| 1705650..... | A11 | 1725115..... | A4 | 1801400..... | B18 | 1803215..... | B20 | 204PB..... | I23 |
| 1705651..... | A11 | 1725120..... | A4 | 1801401..... | B18 | 1803306..... | B25 | 204PR..... | I23 |
| 1705652..... | A11 | 1725130..... | A4 | 1802005..... | B25 | 1803306LP..... | B25 | 204PRPB..... | I23 |
| 1705653..... | A11 | 1725133..... | A4 | 1802007..... | B25 | 1803307..... | B25 | 211141..... | C41 |
| 1705660..... | A11 | 1725135..... | A4 | 1802010..... | B25 | 1803308..... | B25 | 250..... | K22 |
| 1705662..... | A11 | 1725140..... | A4 | 1802015..... | B25 | 1803312..... | B25 | 2F12..... | L14 |
| 1706400..... | A3 | 1725145..... | A4 | 1802020..... | B25 | 1803313..... | B25 | 2F12SCR..... | L14 |
| 1706403..... | A3 | 1725150..... | A4 | 1802025..... | B25 | 1803314..... | B25 | 2F16..... | L14 |
| 1706405..... | A3 | 1725153..... | A4 | 1802026..... | B25 | 1803405..... | B24 | 2F16SCR..... | L14 |
| 1706410..... | A3 | 1725160..... | A4 | 1802027..... | B25 | 1803410..... | B24 | 2F18SCR..... | L14 |
| 1706415..... | A3 | 1725640..... | A11 | 1802050..... | B26 | 1803415..... | B24 | 2F20..... | L14 |
| 1706420..... | A3 | 1725641..... | A11 | 1802055..... | B26 | 1804003..... | B22 | 2F20SCR..... | L14 |
| 1706425..... | A3 | 1725650..... | A11 | 1802056..... | B26 | 1804005..... | B22 | 2F24SCR..... | L14 |
| 1706430..... | A3 | 1725651..... | A11 | 1802061..... | B26 | 1804007..... | B22 | 2FS16..... | L13 |
| 1708310..... | A5 | 1725652..... | A11 | 1802103..... | B26 | 1804015..... | B22 | 3..... | H4 |
| 1708410..... | A7 | 1725660..... | A11 | 1802105..... | B26 | 1804017..... | B22 | 3001894..... | F9 |
| 1709305..... | A12 | 1725662..... | A11 | 1802106..... | B26 | 1804030..... | B22 | 3001895..... | F9 |
| 1709308..... | A12 | 1729305..... | A12 | 1802108..... | B26 | 1804035..... | B22 | 3002713..... | H26 |
| 1709315..... | A12 | 1729308..... | A12 | 1802110..... | B26 | 1804055..... | B21 | 3002879..... | H17 |
| 1709318..... | A12 | 1729315..... | A12 | 1802111..... | B26 | 1804060..... | B22 | 3002880..... | H17 |
| 1710305..... | A12 | 1729318..... | A12 | 1802130..... | B26 | 1805005..... | B32 | 3003081..... | A20 |
| 1710308..... | A12 | 1732300..... | A6 | 1802131..... | B26 | 1808010..... | B36 | 3003316..... | B3, B5 |
| 1710315..... | A12 | 1732303..... | A6 | 1802134..... | B26 | 1809025..... | B16 | 3003480..... | A20 |
| 1710318..... | A12 | 1732305..... | A6 | 1802135..... | B26 | 1809027A..... | B15 | 3004090..... | H14 |
| 1711010..... | A13 | 1732400..... | A6 | 1802136..... | B26 | 1809030A..... | B15 | 3004556..... | A20 |
| 1711020..... | A13 | 1732403..... | A6 | 1802148..... | B26 | 1809035..... | B15 | 3004987..... | B4, B5 |
| 1711025..... | A13 | 1732405..... | A6 | 1802161..... | B26 | 1809036..... | B15 | 3005345..... | B22 |
| 1711030..... | A13 | 1734300..... | A6 | 1802162..... | B26 | 1809037..... | B15 | 3005528..... | B40 |
| 1711205..... | A18 | 1734303..... | A6 | 1802167..... | B26 | 1809038..... | B15 | 3005534..... | I9 |
| 1711206..... | A18 | 1734305..... | A6 | 1802168..... | B26 | 1809039..... | B15 | 3005833..... | H26 |
| 1712010..... | A14 | 1734400..... | A6 | 1802175..... | B26 | 1809040..... | B15 | 3006554..... | E12 |
| 1712020..... | A14 | 1734403..... | A6 | 1802200..... | B19 | 1809042..... | B15 | 3006875..... | B9 |
| 1712030..... | A14 | 1734405..... | A6 | 1802202..... | B19 | 1809043..... | B15 | 3006909..... | B18 |
| 1712035..... | A14 | 1735100..... | A4 | 1802205..... | B19 | 1809050..... | B16 | 3008086..... | A16, H2 |
| 1712110..... | A14 | 1735103..... | A4 | 1802207..... | B19 | 1809055..... | B16 | 3008209..... | F7 |
| 1712120..... | A14 | 1735105..... | A4 | 1802208..... | B19 | 1809060A..... | B15 | 3008210..... | F7 |
| 1712200..... | A2 | 1735130..... | A4 | 1802215..... | B20 | 1809061A..... | B15 | 3008647..... | H39 |
| 1712205..... | A2 | 1735133..... | A4 | 1802225..... | B20 | 1809065..... | B15 | 3008745..... | H41 |
| 1712210..... | A2 | 1735135..... | A4 | 1802279..... | B20 | 1809067..... | B15 | 3008976..... | F7 |

Numerical Index

INDEX

| PART NO. | PAGE NO. | PART NO. | PAGE NO. | PART NO. | PAGE NO. | PART NO. | PAGE NO. | PART NO. | PAGE NO. |
|----------|----------|----------|----------|---------------|-------------|------------|----------|-----------|----------|
| 3009094 | F7 | 3016667 | F11 | 3032932 | C37 | 5203BBU132 | K14 | 5540710 | F8 |
| 3009095 | F7 | 3018069 | E25 | 3032933 | C37 | 5203BBU144 | K14 | 5541005 | F9 |
| 3009122 | A20 | 3018091 | B6, B7 | 3034400 | C37 | 5203BBU156 | K14 | 5541006 | F9 |
| 3009253 | H20 | 3018195 | B10 | 312 | K22 | 5203BBU168 | K14 | 5541065 | F7 |
| 3009455 | F7 | 3018538 | B18 | 32 | L9 | 5203BBU192 | K14 | 5541095 | F7 |
| 3009456 | F7 | 3020293 | F10 | 34 | L9 | 5203BBU228 | K14 | 5542000 | F5 |
| 3009457 | F7 | 3020620 | B20 | 356 | K22 | 5203BBU240 | K14 | 5542090 | F5 |
| 3009458 | F7 | 3020919 | F8 | 375 | K22 | 5203CCU060 | K14 | 554250120 | F5 |
| 3009892 | F7 | 3022116 | F7 | 38 | L9 | 5203CCU072 | K14 | 554260140 | F5 |
| 3009938 | A20 | 3022117 | F7 | 3801000 | E19 | 5203CCU084 | K14 | 554265150 | F5 |
| 3009988 | H29 | 3022729 | H41 | 39LL71 | H28 | 5203CCU096 | K14 | 554270150 | F5 |
| 3010339 | H41 | 3022840 | H20 | 4 | H4 | 5203CCU108 | K14 | 554270152 | F5 |
| 3011034 | F7 | 3023460 | H41 | 400 | L11 | 5203CCU120 | K14 | 554270155 | F5 |
| 3011035 | F7 | 3023908 | A19 | 400BZ | E23 | 5203CCU132 | K14 | 554270156 | F5 |
| 3011036 | F7 | 3024237 | A20 | 403 | I23 | 5203CCU228 | K14 | 554275150 | F5 |
| 3011350 | F7 | 3024238 | A20 | 403D44PB | I23 | 5230710 | H7 | 554275152 | F5 |
| 3011351 | F7 | 3024631 | C37 | 403D4PR42PRPB | I23 | 5230912 | H9 | 5543000 | F4 |
| 3011352 | F7 | 3024632 | C37 | 403PB | I23 | 5230915 | H9 | 5543006 | F4 |
| 3011353 | F7 | 3024633 | C37 | 404 | I23 | 5231021 | H8 | 5543095 | F7 |
| 3011354 | F7 | 3024634 | C37 | 404PB | I23 | 5231112 | H9 | 5543895 | F7 |
| 3011868 | F9 | 3024635 | C37 | 404PR | I23 | 5231130 | H9 | 5543965 | F7 |
| 3011870 | F9 | 3024636 | C37 | 404PRPB | I23 | 5231212 | H9 | 5544000 | F2 |
| 3011871 | F9 | 3024637 | C37 | 405BC | E23 | 5231512 | H9 | 5544006 | F2 |
| 3011876 | F10 | 3024638 | C37 | 405BZ | E23 | 5231515 | H9 | 5544300 | F2 |
| 3012035 | H9 | 3024639 | C37 | 405SS | E23 | 5232000 | H10 | 5544306 | F2 |
| 3012783 | F8 | 3024640 | C37 | 4100 | K23 | 5232001 | H10 | 5544365 | F2 |
| 3012784 | F9 | 3024646 | C37 | 441466 | H49 | 5232412 | H10 | 5544366 | F2 |
| 3013299 | F9 | 3024647 | C37 | 450 | L11 | 5232417 | H9 | 5544395 | F2 |
| 3013332 | H33 | 3024648 | C38 | 455 | L11 | 5233000 | H10 | 5544396 | F2 |
| 3013395 | F7 | 3024649 | C38 | 4F12SCR | L14 | 5233001 | H10 | 5544621 | F10 |
| 3013396 | F7 | 3024713 | A20 | 4F16 | L14 | 5233612 | H10 | 5545000 | F2 |
| 3013397 | F7 | 3024748 | F9 | 4F16SCR | L14 | 5236585 | H7 | 5545006 | F2 |
| 3013398 | F7 | 3024912 | F10 | 4F20 | L14 | 5236586 | H7 | 5545300 | F2 |
| 3013531 | H9 | 3024913 | F10 | 4F20SCR | L14 | 5401000 | E12 | 5545306 | F2 |
| 3013658 | H11 | 3024915 | F10 | 4F24 | L14 | 5411000 | A18 | 5545365 | F2 |
| 3013872 | B14, B38 | 3024916 | F10 | 4F24SCR | L14 | 5411005 | A18 | 5545366 | F2 |
| 3014186 | D6, F8 | 3024975 | E25 | 4F28SCR | L14 | 5411018 | A18 | 5545395 | F2 |
| 3014187 | D6, F8 | 3025044 | F7 | 4F30SCR | L14 | 5416000 | E13 | 5545396 | F2 |
| 3014188 | D6, F8 | 3025055 | E25 | 4F32SCR | L14 | 5416005 | E13 | 5546000 | F3 |
| 3014193 | D15 | 3025442 | C37 | 5 | H4 | 5421012 | B32 | 5546006 | F3 |
| 3014194 | D15 | 3025622 | H41 | 500 | L10 | 5422010 | B42, B48 | 5546300 | F3 |
| 3014204 | K6 | 3025623 | H41 | 5051000 | E6 | 5422012 | B42, B48 | 5546306 | F3 |
| 3014332 | K6 | 3025858 | E12 | 5051100 | E6 | 5423203 | B48 | 5546365 | F3 |
| 3014480 | F7 | 3025859 | E12 | 5051105 | E6 | 5431000 | B32 | 5546366 | F3 |
| 3014481 | F7 | 3025860 | E12 | 5051200 | E6 | 5471000 | B28 | 5546395 | F3 |
| 3014677 | F7 | 3025864 | E12 | 5051205 | E6 | 5471001 | B28 | 5546396 | F3 |
| 3014981 | B11 | 3026114 | C37 | 5051206 | E6 | 5480005 | E11, G12 | 5547000 | F3 |
| 3015127 | F8 | 3026115 | C37 | 5051210 | E6 | 5480007 | E11, G12 | 5547006 | F3 |
| 3015862 | H20 | 3026116 | C37 | 5051300 | E6 | 5480010 | E11, G12 | 5547300 | F3 |
| 3015863 | H20 | 3026271 | D11 | 5051400 | E6 | 5480011 | G12 | 5547306 | F3 |
| 3015920 | E10 | 3026457 | F9 | 511 | L10 | 5480375 | G9 | 5547365 | F3 |
| 3016004 | F7 | 3026458 | F9 | 515 | L10 | 5480417 | G12 | 5547366 | F3 |
| 3016005 | F7 | 3026462 | F9 | 515XBA | L10, L6, L7 | 5482100 | G9 | 5547395 | F3 |
| 3016006 | F7 | 3026586 | H41 | 516 | K22 | 5531000 | E2 | 5547396 | F3 |
| 3016342 | C41, C42 | 3027064 | A20 | 5201000 | H17 | 5531006 | E2 | 5562001 | H50 |
| 3016366 | E12 | 3027065 | A20 | 5201005 | E13, H15 | 5531010 | E3 | 5562009 | H50 |
| 3016367 | E12 | 3027070 | F9 | 5201010 | E13 | 5531020 | E3 | 5571000 | E7 |
| 3016368 | E12 | 3028368 | E9 | 5201100 | E13 | 5532000 | E2 | 5571001 | E7 |
| 3016369 | E12 | 3028392 | H41 | 5203BBU048 | K14 | 5534000 | E2 | 5571002 | E7 |
| 3016370 | E12 | 3028819 | E11, G12 | 5203BBU060 | K14 | 5534006 | E2 | 5571003 | E7 |
| 3016371 | E12 | 3029916 | H41 | 5203BBU072 | K14 | 5534010 | E3 | 5571004 | E7 |
| 3016382 | E12 | 3029917 | H41 | 5203BBU084 | K14 | 5534020 | E3 | 5571005 | E7 |
| 3016383 | E12 | 3029961 | C39 | 5203BBU096 | K14 | 5535000 | E2 | 5571006 | E7 |
| 3016508 | E25 | 3031692 | F10 | 5203BBU108 | K14 | 5540001 | F11 | 5571007 | E7 |
| 3016666 | F11 | 3031808 | F10 | 5203BBU120 | K14 | 5540002 | F11 | 5571008 | E7 |

Numerical Index

| PART NO. | PAGE NO. | PART NO. | PAGE NO. | PART NO. | PAGE NO. | PART NO. | PAGE NO. | PART NO. | PAGE NO. |
|-----------|----------|----------|-------------|----------|--------------|------------|--------------|----------|----------|
| 5571200 | E7 | 56224360 | C60 | 5625336 | C58 | 5656300 | C15 | 651 | K21 |
| 5579500 | E7 | 5622505 | C4 | 5625576 | C60 | 58R14 | H22 | 66000 | H44 |
| 5601000 | D5 | 5622506 | C4 | 5626050 | C10, C11, C8 | 58R5 | H22 | 66003 | H44 |
| 5601005 | D5 | 5622512 | C3 | 5626090 | C59 | 58R5SS | H22 | 66006 | H44 |
| 5601007 | D5 | 5622514 | C4 | 5626156 | C8 | 58R5Z | H22 | 66010 | H44 |
| 5601010 | D5 | 5622517 | C4 | 5626191 | C59 | 58R6 | H22 | 66015 | H44 |
| 5601012 | D5 | 5622522 | C3 | 5626208 | C10 | 5910024 | A19 | 66045 | H44 |
| 5601015 | D9, F8 | 5622524 | C4 | 5626209 | C10 | 6125B | K22 | 66050 | H44 |
| 5601016 | D9 | 5622525 | C4 | 5626210 | C9 | 6138 | K22 | 66053 | G16, H44 |
| 5601020 | D9 | 5622526 | C4 | 5626211 | C10 | 6170 | K22 | 66056 | H44 |
| 5601021 | D9 | 5622527 | C4 | 5626290 | C59 | 6203BBU048 | K15 | 66060 | H44 |
| 5601025 | D9 | 5622537 | C59 | 5626310 | C11 | 6203BBU060 | K15 | 66063 | H44 |
| 5601026 | D9 | 5622550 | C4 | 5626311 | C11 | 6203BBU072 | K15 | 66066 | H44 |
| 5601100 | D5 | 5622551 | C4 | 5626324 | C11 | 6203BBU084 | K15 | 66070 | H44 |
| 5601101 | D5 | 5622638 | C59 | 5626325 | C11 | 6203BBU096 | K15 | 66100 | H45 |
| 5609000 | D15 | 5622716 | C6 | 5626352 | C58 | 6203BBU108 | K15 | 66101 | H44 |
| 5609001 | D15 | 5622726 | C6 | 5626356 | C11 | 6203BBU120 | K15 | 66102 | H45 |
| 5611400 | B10 | 5622739 | C59 | 5626510 | C8 | 6203BBU132 | K15 | 66103 | H45 |
| 5613100 | B10 | 5622754 | C12 | 5626520 | C8 | 6203BBU144 | K15 | 66105 | H45 |
| 5613101A | B10 | 5623000 | C17 | 5626521 | C8 | 6203BBU168 | K15 | 66107 | H44 |
| 5613200 | B10 | 5623001 | C17 | 5626550 | C8 | 6203BBU216 | K15 | 66110 | H45 |
| 5613201 | B10 | 5623050 | C5 | 5626551 | C8 | 6203BBU240 | K15 | 66111 | H44 |
| 5613300 | B10 | 5623112 | C5 | 5626552 | C8 | 6203CCU072 | K15 | 66115 | H45 |
| 5613301 | B10 | 5623113 | C5 | 5626734 | C9 | 6203CCU084 | K15 | 66120 | H45 |
| 5613302 | B10 | 5623122 | C5 | 5626738 | C9 | 6203CCU096 | K15 | 66122 | H44, H45 |
| 5613303 | B10 | 5623123 | C5 | 5627501 | C2 | 6203CCU120 | K15 | 66125 | H45 |
| 5613304 | B10 | 5623316 | C17 | 5627503 | C2 | 6203CCU204 | K15 | 66127 | H44 |
| 5613500 | B10 | 5623317 | C17 | 5627511 | C2 | 6381540 | I28 | 66129 | H45 |
| 5620250 | C17 | 5623413 | C2 | 5627512 | C2 | 6381541 | I28 | 66130 | H45 |
| 5620350 | C17 | 5623414 | C2 | 5627513 | C2 | 6381560 | I28 | 66135 | H45 |
| 5620351 | C17 | 5623423 | C2 | 5627514 | C2 | 6381561 | I28 | 66150 | H45 |
| 5620352 | C17 | 5623424 | C2 | 5627517 | C2 | 6383060 | I28 | 66155 | H45 |
| 5620354 | C17 | 5623520 | C17 | 5627521 | C2 | 6383061 | I28 | 66160 | H45 |
| 5620355 | C17 | 5623521 | C17 | 5627522 | C2 | 6391001 | D3 | 66170 | H45 |
| 5621001 | C59, D3 | 5623654 | C59 | 5627523 | C2 | 6391002 | D4 | 7312 | L3 |
| 5621010 | C17 | 56236540 | C60 | 5627524 | C2 | 6391003 | D4 | 73122 | L3 |
| 5621012 | C17 | 5623711 | C5 | 5627527 | C2 | 6391004 | D4 | 73133 | L3 |
| 562109166 | C59 | 5623712 | C5 | 5627532 | C2 | 6391005 | D4 | 73162 | L3 |
| 562133202 | C59 | 5623750 | C14, C5 | 5627533 | C7 | 6391050 | D3 | 73163 | L3 |
| 5621534 | C12 | 5623755 | C59 | 56296144 | C59 | 6391100 | D4 | 7322 | L3 |
| 5621711 | C7 | 5624050 | C11, C7, C9 | 5629700 | C9 | 6391101 | D3, D4 | 7332 | L3 |
| 5621719 | C6 | 5624110 | C7 | 56297145 | C59 | 6391102 | D4 | 73383 | L3 |
| 5621720 | C6 | 5624118 | C7 | 56298146 | C59 | 6391103 | D4 | 7350038 | B28 |
| 5621827 | C59 | 5624119 | C7 | 5651530 | C16 | 6391104 | D4 | 7351 | L3 |
| 56218270 | C60 | 5624150 | C7 | 5651700 | C14 | 6391105 | D4 | 7381 | L3 |
| 5621928 | C59 | 5624151 | C7 | 5652001 | C13 | 6391106 | D4 | 7383 | L3 |
| 5622032 | C12 | 5624156 | C7 | 5652002 | C13 | 6391200 | D4 | 74103 | L2 |
| 5622050 | C3 | 5624210 | C9 | 5652030 | C16 | 6391204 | C33, C38, D3 | 7412 | L2 |
| 5622101 | C3 | 5624251 | C9 | 5652501 | C13 | 6391205 | C38, D4 | 74123 | L2 |
| 5622103 | C6 | 5624310 | C11 | 5652502 | C13 | 6391206 | C38, D4 | 7413 | L2 |
| 5622104 | C5 | 5624324 | C11 | 5652511 | C13 | 6391207 | C33, D4 | 74141 | L2 |
| 5622130 | C12 | 5624325 | C11 | 5652512 | C13 | 6391208 | C38, D4 | 74183 | L2 |
| 5622132 | C12 | 5624350 | C11 | 5652630 | C16 | 6391209 | C38, D4 | 7422 | L2 |
| 5622133 | C12 | 5624352 | C58 | 5652720 | C13 | 6391215 | D3 | 74223 | L2 |
| 5622134 | C12 | 5624356 | C11 | 5653375 | C16 | 6391308 | D5 | 7423 | L2 |
| 5622150 | C3 | 5624433 | C60 | 5653376 | C16 | 6451000 | J8 | 7424 | L2 |
| 5622154 | C3 | 5624872 | C59 | 5653701 | C14 | 6451005 | J8 | 74263 | L2 |
| 5622201 | C3 | 56248720 | C60 | 5653702 | C14 | 6451010 | J8 | 74282 | L2 |
| 5622203 | C6 | 5624973 | C59 | 5654100 | C14 | 6451025 | J8 | 74293 | L2 |
| 5622204 | C5 | 5625030 | C58 | 5654300 | C15 | 6451030 | J8 | 7432 | L2 |
| 5622205 | C5 | 5625074 | C59 | 5655000 | C15 | 6451035 | J8 | 74323 | L2 |
| 5622250 | C3 | 5625115 | C9 | 5655001 | C15 | 6451050 | J8 | 7434 | L2 |
| 5622254 | C3 | 5625175 | C59 | 5655100 | C15 | 6451051 | J8 | 74373 | L2 |
| 5622304 | C5 | 5625215 | C10 | 5655101 | C15 | 6451055 | J8 | 74393 | L2 |
| 5622436 | C59 | 5625332 | C12 | 5656100 | C14 | 65 | K21, K4 | 7443 | L2 |

Numerical Index

| PART NO. | PAGE NO. | PART NO. | PAGE NO. | PART NO. | PAGE NO. | PART NO. | PAGE NO. | PART NO. | PAGE NO. |
|----------|------------|----------|----------|----------|----------|----------|----------|------------|----------|
| 74443 | L2 | 8881225 | D11 | 8891325 | C28 | 8892239 | C19 | 9901000 | M2 |
| 74481 | L2 | 8881250 | D9 | 8891326 | C28 | 8892240 | C21 | 9901005 | M2 |
| 7452 | L2 | 8881260 | D9 | 8891327 | C28 | 8892241 | C21 | 9901010 | M2 |
| 7453 | L2 | 8881270 | D10 | 8891400 | C20 | 8892242 | C21 | 9901015 | M2 |
| 7463 | L2 | 8882100 | D10 | 8891401 | C20 | 8892243 | C21 | 9901100 | M2 |
| 7493 | L2 | 8882111 | D11 | 8891402 | C20 | 8892244 | C21 | 9921000 | M2 |
| 7622BP | G5, G6, G7 | 8882150 | D10 | 8891403 | C20 | 8892245 | C21 | 9921005 | M2 |
| 800 | L11 | 8882200 | D10 | 8891404 | C20 | 8892246 | C21 | 9921010 | M2 |
| 8000SSL | H27 | 8882300 | D10 | 8891405 | C20 | 8892247 | C21 | 9921015 | M2 |
| 8000SSN | H27 | 8891001 | C42 | 8891500 | C23 | 8892248 | C21 | A23 | H35 |
| 801BP | G8 | 8891002 | C42 | 8891501 | C23 | 8892249 | C21 | A29 | H35 |
| 801BPG | G8 | 8891004 | C22 | 8891502 | C23 | 8892250 | C21 | A34 | H35 |
| 802BPZ | G6, G7 | 8891006 | C22 | 8891505 | C23 | 8892255 | C21 | A36 | H35 |
| 815 | L11 | 8891007 | C22 | 8891506 | C23 | 8892300 | C19 | A41 | H35 |
| 82123879 | E4 | 8891008 | C22 | 8891600 | C25 | 8892301 | C19 | A42 | H35 |
| 82123889 | E4 | 8891009 | C22 | 8891601 | C25 | 8892303 | C19 | AC010 | J3 |
| 82123899 | E4 | 8891010 | C32 | 8891602 | C25 | 8892304 | C19 | AC010B | K7 |
| 82123909 | E4 | 8891015 | C27 | 8891605 | C25 | 8892320 | C19 | AC010M | J3 |
| 82123919 | E4 | 8891016 | C33 | 8891700 | C25 | 8892321 | C19 | ACC01 | I29, K7 |
| 82123929 | E4 | 8891018 | C33 | 8891701 | C25 | 8892325 | C19 | AFSSP080 | H37 |
| 82123939 | E5 | 8891020 | C42 | 8891702 | C25 | 8892400 | C28 | AFSSP100 | H37 |
| 82123949 | E5 | 8891024 | C33 | 8891703 | C25 | 8892401 | C28 | AS1 | I22 |
| 82124269 | E5 | 8891025 | C33 | 8891704 | C25 | 8892403 | C28 | AS301 | I16, J5 |
| 82124639 | E5 | 8891040 | C29 | 8891705 | C25 | 8892404 | C28 | AS302 | I16, J5 |
| 82124649 | E5 | 8891042 | C29 | 8891706 | C25 | 8892420 | C28 | AST460 | H8 |
| 82124659 | E5 | 8891044 | C29 | 8891707 | C25 | 8892425 | C28 | AST60 | H8 |
| 82124749 | E5 | 8891048 | C29 | 8891709 | C25 | 8892500 | C22 | AST624 | H8 |
| 851 | L11 | 8891049 | C29 | 8891800 | C26 | 8892501 | C22 | AST660 | H8 |
| 85104 | E8, E8 | 8891050 | C29 | 8891801 | C26 | 8892600 | C26 | ATVS100 | E26 |
| 85106 | E8 | 8891052 | C29 | 8891802 | C26 | 8892601 | C26 | ATVS15A | E26 |
| 85141 | E8 | 8891060 | C30 | 8891803 | C26 | 8892602 | C26 | B03822SC | B27 |
| 85142 | E8 | 8891062 | C30 | 8891804 | C26 | 8892700 | C20 | B03835SC | B27 |
| 85152 | E8 | 8891063 | C30 | 8891900 | C23 | 8892701 | C20 | B0681 | B30 |
| 85162 | E8 | 8891070 | C30 | 8891901 | C23 | 8892703 | C20 | B076A | B31 |
| 85166 | E8 | 8891071 | C30 | 8891902 | C23 | 8892704 | C20 | B08462 | K26 |
| 85176 | E8 | 8891080 | C31 | 8891903 | C23 | 8892709 | C20 | B1001 | H50 |
| 85177 | E8 | 8891082 | C31 | 8891904 | C23 | 8893024 | C34 | B1018LSP | E21 |
| 852 | L11 | 8891090 | C31 | 8891910 | C24 | 88930243 | C34 | B1018PPB | E20 |
| 8520 | B3, B4, B4 | 8891091 | C31 | 8891911 | C24 | 8893049 | C34, C35 | B1020PPB | E20 |
| 85204 | E8, E8 | 8891100 | C32 | 8891912 | C24 | 88930492 | C34, C35 | B1025 | H50 |
| 8525 | B3, B5 | 8891102 | C32 | 8891913 | C24 | 88930493 | C34, C35 | B117518PPB | E20 |
| 853 | L11 | 8891104 | C22 | 8891914 | C24 | 8893060 | C36 | B1218LSP | E21 |
| 8530 | B5, B6 | 8891105 | C22 | 8891920 | C23 | 88930603 | C36 | B1237PPB | E20 |
| 8590195 | E24 | 8891120 | C20 | 8891921 | C23 | 88930604 | C36 | B1237PPW | E20 |
| 8590245 | E24 | 8891121 | C20 | 8891925 | C23 | 88930605 | C36 | B1412LSP | E21 |
| 8591000 | E25 | 8891130 | C21 | 8892000 | C27 | 8894037 | C33 | B16137 | B38 |
| 8591001 | E25 | 8891131 | C21 | 8892001 | C27 | 8894047 | C33 | B16137BK | B38 |
| 8591005 | E25 | 8891132 | C21 | 8892002 | C27 | 8894050 | C33 | B16137Z | B38 |
| 8591010 | E25 | 8891135 | C21 | 8892200 | C24 | 8895095 | C32 | B16140 | B38 |
| 8591020 | E25 | 8891144 | D12 | 8892201 | C24 | 8895100 | C32 | B16140Z | B38 |
| 8591030 | E25 | 8891145 | D12 | 8892202 | C24 | 8895105 | C32 | B18128 | B37 |
| 8591040 | E24 | 8891150 | D12 | 8892203 | C24 | 8895110 | C32 | B1812LSP | E21 |
| 8591050 | E24 | 8891166 | D12 | 8892204 | C24 | 8895150 | C32 | B18135 | B37 |
| 8591060 | E24 | 8891167 | D12 | 8892205 | C24 | 8895250 | C32 | B1820LSP | E21 |
| 8620 | B8, B9 | 8891168 | D13 | 8892206 | C24 | 8895300 | C32 | B20 | G6 |
| 870272 | L4 | 8891169 | D13 | 8892207 | C24 | 8895350 | C32 | B20135 | B37 |
| 871272 | L4 | 8891177 | D13 | 8892208 | C24 | 88CH510 | H28 | B20143 | B37 |
| 8881200 | D9 | 8891178 | D13 | 8892209 | C24 | 88CH545 | H28 | B20145 | B37 |
| 8881211 | D10 | 8891200 | C28 | 8892210 | C24 | 900 | L11 | B2014LSP | E21 |
| 8881212 | D10 | 8891201 | C28 | 8892225 | C24 | 901BP | G8 | B2018LSP | E21 |
| 8881214 | D11 | 8891215 | C28 | 8892230 | C19 | 9031100 | A18 | B2020LSP | E21 |
| 8881216 | D11 | 8891216 | C28 | 8892231 | C19 | 9031105 | A18 | B2024LSP | E21 |
| 8881221 | D11 | 8891225 | C28 | 8892232 | C19 | 9031110 | A18 | B2030LSP | E21 |
| 8881222 | D11 | 8891226 | C28 | 8892233 | C19 | 90M | H29 | B206301 | K6 |
| 8881224 | D11 | 8891227 | C28 | 8892234 | C19 | 9225 | F12 | B206301001 | K6 |

Numerical Index

| PART NO. | PAGE NO. | PART NO. | PAGE NO. | PART NO. | PAGE NO. | PART NO. | PAGE NO. | PART NO. | PAGE NO. |
|------------|------------|------------|----------|--------------|----------|--------------|----------|----------|----------|
| B206301002 | K6 | B2418LSP | E21 | B2598HU | H29 | B27086ANF | K17 | B35P151 | I14 |
| B206301R0 | K6 | B2420LSP | E21 | B2598LP | H29 | B27086ANFZ | K17 | B35P152 | I14 |
| B206305 | K6 | B2423F | H38 | B2598SSC | H29 | B27086ANFZKT | H46 | B35P91 | I14 |
| B206401 | K6 | B2423G | H38 | B2599LH | H30 | B27086B | K17 | B35P92 | I14 |
| B206401001 | K6 | B2423H | H38 | B2599RH | H30 | B27086C | K17 | B36LP | E21 |
| B21 | G6 | B2424SS | H38 | B26994A | K18 | B27086E | K18 | B36LXP | E21 |
| B210880 | C42 | B2424YC | E20 | B26996A | K18 | B27087ANC | K17 | B36PSRPB | E20 |
| B21333 | L5 | B2426E | H39 | B270210EB | K16 | B27087ANF | K17 | B36PSRPW | E20 |
| B2159C | H42 | B2426FS | H39 | B270210EM | K16 | B27087ANFZ | K17 | B36SPP | E21 |
| B2162E | H3 | B2426FSL | H39 | B270210HMZ | K16 | B27087B | K17 | B36SRP | E21 |
| B2162FF | H3 | B2426FSNB | H39 | B270212KM | K16 | B27087BB | K18 | B38 | G2 |
| B2162H | H3 | B2426SSCL | H38 | B27024BB | K16 | B27087C | K17 | B38RP | G2 |
| B2162N | H3 | B2426SSCR | H38 | B27024BM | K16 | B27087CKT | H46 | B38S | G2 |
| B22329 | L5 | B2429X | H39 | B27026BM | K16 | B27088ANC | K17 | B38SP | G3, H6 |
| B22479 | L5 | B2430W | H39 | B27026EB | K16 | B27088ANF | K17 | B38W | G2 |
| B228357TY | L6 | B2430YC | E20 | B27026EM | K16 | B27094A | K18 | B38ZW | G2 |
| B23 | G7 | B2432 | L5, L7 | B27026M10 | K16 | B27096A | K18 | B38ZY | G2 |
| B23128KX | L5, L6, L7 | B243331 | L5 | B27027EB | K16 | B27096B | K18 | B39W | G3 |
| B23130 | L5 | B2436ASBC | E23 | B27027EKZ | H43 | B27097A | K18 | B40 | G3 |
| B2344 | H13 | B2436YC | E20 | B27027EM | K16 | B27098A | K18 | B4000 | H47 |
| B23505 | G16 | B24473 | L5 | B27028AB | K16 | B2744A | H8 | B40002 | I42 |
| B23505LH | G16 | B2447BZ | F12 | B27028AM | K16 | B2744S | H8 | B40002DC | I42 |
| B23505RH | G16 | B2447NHP | F12 | B27028EB | K16 | B2797BPC | H7 | B40002DP | I42 |
| B23510 | G16 | B2447WAL | F12 | B27028EM | K16 | B2797PCH | H7 | B40003 | I42 |
| B2351001 | G16 | B2448 | F12 | B27028LMZ | H21, K16 | B2797SS | H7 | B40003DC | I42 |
| B2351002 | G16 | B2448C | F12 | B27081/210C | H46 | B2797Z | H7 | B40003DP | I42 |
| B23515 | G16 | B24503 | L5 | B27081/22AZ | H46 | B2799B | B30 | B40004 | I42 |
| B2373C | H6 | B24533 | L5 | B27081/23AZ | H46 | B2799BKT | B30 | B40004DC | I42 |
| B2373G | H6 | B24573 | L5 | B27081/24AZ | H46 | B2800A | B31 | B40004DP | I42 |
| B2373J | H6 | B248031 | L7 | B27081/26AZ | H46 | B2800AB | B31 | B40005 | I42 |
| B2373K | H6 | B2485AA | H13 | B27081/26C | H46 | B2800AC | B31 | B40005DC | I42 |
| B2373R | H6 | B2487B | H13 | B27081/26D | H46 | B2801A | B31 | B40005DP | I42 |
| B2373W | H6 | B24LP | E21 | B27081/27AZ | H46 | B2801C | B31 | B40006 | I42 |
| B2374G | H6 | B24LXP | E21 | B27081/27BZ | H46 | B284001 | H21, H22 | B40006DC | I42 |
| B2374GZ | H6 | B24PSRPB | E20 | B27081/27C | H46 | B28F | G6 | B40006DP | I42 |
| B2392L | H42 | B24PSRPW | E20 | B27081/28AZ | H46 | B3005874 | L6 | B40B45 | D8 |
| B2394L | H42 | B24SPP | E21 | B27081/28AZ | H46 | B302845048 | K12 | B40LP | E21 |
| B239911P | H12 | B24SRP | E21 | B270810C | K17 | B302845060 | K12 | B40LXP | E21 |
| B239914AL | H12 | B2575 | H29 | B27081AZ | K17 | B302845072 | K12 | B40MP | G3 |
| B239916AL | H12 | B2585B | H5 | B27082A | K17 | B302845084 | K12 | B431616U | I35 |
| B239918AL | H12 | B2585BZ | H5 | B27082AZ | K17 | B302845096 | K12 | B432020U | I35 |
| B239918C | H12 | B2586 | H30 | B27082AZKT | H46 | B302845108 | K12 | B432424U | I35 |
| B239920C | H12 | B2588B | H4 | B27083A | K17 | B302845120 | K12 | B433232U | I35 |
| B239936C | H12 | B2588BZ | H4 | B27083A14Z | K17 | B302845132 | K12 | B434040U | I35 |
| B2399A | H12 | B2588W | H4 | B27083A14ZKT | H46 | B302845144 | K12 | B450 | F12 |
| B2399B | H12 | B2589B | H4 | B27083AZ | K17 | B302845168 | K12 | B4500 | H47 |
| B2399B2C | H13 | B2589BZ | H4 | B27083AZKT | H46 | B302845180 | K12 | B46 | G4 |
| B2399B6C | H13 | B2589W | H4 | B27084A | K17 | B302889 | K12 | B46BF | G4 |
| B2399BC | H12 | B2590KZ | H30, H4 | B27084A12 | K17 | B302889M | K12 | B48 | G4 |
| B2399C | H12 | B2590LH | H30, H4 | B27084A14Z | K17 | B302890 | I22, K12 | B50 | G4 |
| B2399D | H12 | B2590RH | H30, H4 | B27084A14ZKT | H46 | B303032 | K12 | B5055 | G4 |
| B2399W | H12 | B2591B | H5 | B27084A56ZKT | H46 | B303034 | K12 | B51 | G2 |
| B239CZ | H43 | B2591BZ | H5 | B27084A56ZY | K17 | B303035 | I23, K12 | B52 | G2 |
| B23SS | G7 | B2595 | H29 | B27084ALH | K17 | B303036 | I23 | B52150 | E24 |
| B2401031 | L6 | B2595KZ | H29 | B27084AZ | K17 | B303418F | K12 | B52169 | E24 |
| B2402AL | G8 | B2595LKB | H29 | B27084AZKT | H46 | B303418R | K12 | B5264 | H47 |
| B2408W | B30 | B2595SH | H29 | B27085A | K17 | B30LP | E21 | B5500 | H47 |
| B2408W375 | B30 | B2596 | H29 | B27086A14Z | K17 | B30LXP | E21 | B5540 | H48 |
| B2408W50 | B30 | B2596KSS | H29 | B27086A14ZKT | H46 | B30PSRPB | E20 | B56721 | G15 |
| B2409C | B28 | B2596KZ | H29 | B27086A38ZKT | H46 | B30PSRPW | E20 | B56722 | G15 |
| B2409W375 | B30 | B2596LKB | H29 | B27086A38ZY | K17 | B30SPP | E21 | B56723 | G15 |
| B2409W625 | B30 | B2596LKBSS | H29 | B27086A56ZKT | H46 | B30SRP | E21 | B56724 | G15 |
| B241103 | L5, L7 | B2596SS | H29 | B27086A56ZY | K17 | B31648SC | B27 | B56725 | G15 |
| B2412LSP | E21 | B2597 | H5 | B27086ANC | K17 | B32F | G7 | B56726 | G15 |
| B2414LSP | E21 | B2598H | H29 | B27086ANCZ | K17 | B33 | G7 | B56727 | G15 |

Numerical Index

| PART NO. | PAGE NO. | PART NO. | PAGE NO. | PART NO. | PAGE NO. | PART NO. | PAGE NO. | PART NO. | PAGE NO. |
|-----------|----------|---------------|----------|-------------|----------|--------------|----------|--------------|----------|
| B56728 | G15 | BAV030C | J4 | BHC227Z | H33 | BRE72S | K25 | C1010DMCCW | I15 |
| B56729 | G15 | BAV040 | J4 | BHC801Z | H33 | BRE82F | K24 | C1010DMCCWAS | I15 |
| B56730 | G15 | BAV050SA | H19, J6 | BHEPS4x5 | I37 | BRE82M | K25 | C1010DMCW | I15 |
| B56730C | G15 | BBTOM25P125S | J9 | BHEPS5x6 | I37 | BRE82S | K25 | C1010DMCWAS | I15 |
| B56732 | G15 | BBTOM25P25S | J9 | BHES4x5 | I37 | BRTOM25P125 | J9 | CB1 | D7 |
| B56734 | G15 | BBTOM375P25S | J9 | BHRPS6x5 | I37 | BRTOM25P125S | J9 | CB100PB | D7 |
| B56734BLK | G15 | BBTOM375P375S | J9 | BJ31 | K24 | BSC3835 | B27 | CB120PB | D7 |
| B56735 | G15 | BC00M25P125 | J9 | BJ52 | K24 | BSC3842 | B27 | CB150 | D7 |
| B575A | H43 | BC00M25P25 | J9 | BJ62 | K24 | BSGD2424 | E20 | CB150PB | D7 |
| B575CZ | H43 | BC00M375P25 | J9 | BJ72 | K24 | BSGD2430 | E20 | CB151 | D7 |
| B575GZ | H43 | BC00M375P375 | J9 | BJ82 | K24 | BSGD2436 | E20 | CB151PB | D7 |
| B5760 | H48 | BC12914 | K7 | BKPT809B | B12 | BSGS2018 | E20 | CB200PB | D7 |
| B6000L | H48 | BC2A | B42 | BL10 | H25, I10 | BSGS2030 | E20 | CB201 | D7 |
| B601 | G5 | BC3AP | B42 | BLHP125 | B29 | BSGS2424 | E20 | CB201PB | D7 |
| B601U | G5 | BC40 | I10 | BLHP200 | B29 | BSGS2430 | E20 | CB30PB | D7 |
| B63322 | D7, I53 | BC4APD | B42 | BLHP300 | B29 | BSGS2436 | E20 | CB50PB | D7 |
| B659KB | K21 | BCA16180 | I37 | BLHP400 | B29 | BSSPT52 | K10 | CB60 | D7, F8 |
| B701SM | G5 | BCA20180 | I37 | BM2395AA11 | H40 | BSSPT62 | K10 | CB60PB | D7 |
| B703 | G5 | BCHD | B42 | BNW015 | K21, K4 | BSSPU52 | K10 | CB80PB | D7 |
| B705 | G5 | BCHD1 | B42 | BNW016 | K21 | BSSPU62 | K10 | CB90PB | D7 |
| B745229T | C41 | BCHD2 | B42 | BP100A | B8 | BSV3552 | K20 | CBTD41612 | G11 |
| B745236T | C41 | BCHF | B42 | BP125A | B8 | BSW002 | D2 | CC400 | E12 |
| B801 | G8 | BCHF1 | B42 | BP141624 | A16 | BSW050 | H19, J7 | CC600 | E12 |
| B801A | G8 | BCHF2 | B42 | BP200 | B8 | BSW90030 | D2 | CC800 | E12 |
| B801AK | G8 | BCHGM03 | B42 | BP225 | B9 | BTA52 | K11 | CCD0714 | H20 |
| B8978 | B36, B38 | BCHGM04 | B42 | BP760A | B9 | BTA62 | K11 | CCD0714SS | H20 |
| B8979 | B36, B38 | BCL500 | B34 | BP824624 | A16 | BTB030 | H22 | CCD1314 | H20 |
| B9000 | H48 | BDB12281 | B14 | BP824624B | A15 | BDT | K10, K11 | CDB01 | H50 |
| B901 | G8 | BDB1235 | B14 | BP824624W | A15 | BTL020B2 | H21 | CDC01Z | H28 |
| B9020 | B36, B38 | BDB1238 | B14 | BP825524 | A16 | BTL030B2 | H21 | CH101115 | I16 |
| B9021 | B36, B38 | BDB1245 | B14 | BP826224 | A16 | BTL030B656 | H21 | CH101120 | I16 |
| B91322SF | L7 | BDB12492H | B14 | BP855524B | A15 | BTL030M2 | H21 | CH102115CCW | I16 |
| B91382SF | L7 | BDB125015 | B13 | BP855524P | A15 | BTN011 | K26 | CH102115CW | I16 |
| B915PPB | E20 | BDB125015W | B13 | BP855524W | A15 | BTN011WR | K26 | CH102120CCW | I16 |
| B93234SC | B27 | BDB12503 | B14 | BP855924 | A16 | BTN011WRCPK | K26 | CH102120CW | I16 |
| B93248SC | B27 | BDB1385 | B13 | BP855924B | A15 | BTN015 | K26 | CL375 | H23 |
| B93254SC | B27 | BDB13850Z | B13 | BP855924P | A15 | BTN015WR | K26 | CM002P | I20 |
| B93272SC | B27 | BDB1394 | B13 | BP855924W | A15 | BTN040CPK | K26 | CM004P | I20 |
| B95 | H25 | BDL253 | B14 | BP880 | B9 | BTN055 | K26 | CM012P | I20 |
| B9553SF | L6 | BDS52 | K10 | BP925824 | A16 | BTN075 | K26 | CM014P | I20 |
| B95W | H25 | BDS62 | K10 | BPC1010BR | I15 | BTN075WR | K26 | CM032P | I20 |
| B96W | H25 | BE90M25P125 | J9 | BPT | K19 | BTN075WRCPK | K26 | CM034P | I20 |
| B98596 | D6 | BE90M25P125S | J9 | BPTSG | K19 | BTN145 | K26 | CM042P | I20 |
| B9909 | B36, B38 | BE90M25P25 | J9 | BPU | K19 | BTN145WR | K26 | CM044P | I20 |
| B9912 | B36, B38 | BE90M25P25S | J9 | BPU102DMCCW | K19 | BTN240 | K26 | CM052P | I20 |
| BA0972 | D8 | BE90M375P25 | J9 | BPU102DMCW | K19 | BTN300 | K26 | CM054P | I20 |
| BA1 | D8 | BE90M375P25S | J9 | BPUGD | K19 | BTS | K10 | CM062P | I20 |
| BA102 | D8 | BE90M375P375 | J9 | BPUGDMCCW | K19 | BTS062012 | H34 | CM072P | I20 |
| BA107 | D8 | BE90M375P375S | J9 | BPUGDMCW | K19 | BTS072018 | H34 | CM074P | I20 |
| BA2 | D8 | BEC061A | I10 | BQ52105 | K21 | BTS093018 | H34 | CM082P | I20 |
| BA3 | D8 | BEC061AB | I10 | BQ62106 | K21 | BTS123025 | H34 | CM084P | I20 |
| BA4 | D8 | BFE12G | L13 | BRA64000 | I10 | BTS124025 | H34 | CM092P | I20 |
| BA52 | K11 | BFE13G | L13 | BRA64500 | I10 | BTSS072018 | H34 | CP56 | I9 |
| BA62 | K11 | BFE16G | L13 | BRB03 | B11 | BTSS093018 | H34 | CPA56 | I9 |
| BASK16 | I16, J5 | BFE20G | L13 | BRE32F | K24 | BTSS123025 | H34 | CT150RW | C17, D8 |
| BASK16P | I16, J5 | BH102000 | B3 | BRE32M | K25 | BTSS124025 | H34 | CT150W12 | D8 |
| BAV010 | H19, J6 | BH102516 | B3 | BRE32S | K25 | BTT | K10, K11 | D210 | H49 |
| BAV015 | H19, J6 | BH2395AA11 | H40 | BRE52F | K24 | BTTT52 | K10 | D2120 | H49 |
| BAV01502 | H24 | BH36SF10 | I3 | BRE52M | K25 | BTTT62 | K10 | D232 | H49 |
| BAV020 | H19, J6 | BH36SF25 | I3 | BRE52S | K25 | BUCOP25 | J9 | D26U | H49 |
| BAV02002 | H24, J7 | BH81780 | B3 | BRE62F | K24 | BUCOP375 | J9 | D312 | H49 |
| BAV020T | J5 | BH82000 | B3 | BRE62M | K25 | BUTOP25 | J9 | D324 | H49 |
| BAV020TD | J5 | BH82516 | B3 | BRE62S | K25 | BUTOP375 | J9 | D412 | H49 |
| BAV030 | J4 | BH850MM | B3 | BRE72F | K24 | C1010 | I15 | D424 | H49 |
| BAV030B | J4 | BHC207Z | H33 | BRE72M | K25 | C1010AS | I15 | D46 | H49 |

| PART NO. | PAGE NO. | PART NO. | PAGE NO. | PART NO. | PAGE NO. | PART NO. | PAGE NO. | PART NO. | PAGE NO. |
|------------------|----------|-------------------|----------|------------------|----------|------------------|----------|------------------|---------------|
| DBV2500..... | H20 | FA025..... | I8 | FS038..... | I8 | H3109X20X12..... | I44 | H3409X8..... | I45 |
| DBV3500..... | H20 | FA038..... | I8 | FS050..... | I8 | H3109X20X16..... | I44 | H3509X12..... | I45 |
| DBV900..... | H20 | FA050..... | I8 | FS075..... | I8 | H3109X24X20..... | I44 | H3509X16..... | I45 |
| DH300..... | H40 | FA075..... | I8 | FS100..... | I8 | H3109X4X2..... | I44 | H3509X2..... | I45 |
| DH304..... | H40 | FA100..... | I8 | FS125..... | I8 | H3109X6X2..... | I44 | H3509X20..... | I45 |
| DH500..... | H41 | FA125..... | I8 | FS150..... | I8 | H3109X6X4..... | I44 | H3509X4..... | I45 |
| DH5006..... | H41 | FA150..... | I8 | FS200..... | I8 | H3109X8X2..... | I44 | H3509X6..... | I45 |
| DH5006SS..... | H41 | FA200..... | I8 | FS2797CH..... | H7 | H3109X8X4..... | I44 | H3509X8..... | I45 |
| DH500SS..... | H41 | FBP050..... | H36 | FSP050..... | H36 | H3109X8X6..... | I44 | H3529X12..... | I45 |
| DH501..... | H41 | FBP060..... | H36 | FSP060..... | H36 | H3159X12..... | I44 | H3529X16..... | I45 |
| DH502..... | H41 | FBP070..... | H36 | FSP070..... | H36 | H3159X16..... | I44 | H3529X4..... | I45 |
| DKE14JSQ..... | L13 | FBP080..... | H36 | FSP080..... | H36 | H3159X2..... | I44 | H3529X6..... | I45 |
| DLFK50CCW..... | I50 | FBP080GF..... | H37 | FSP100..... | H36 | H3159X4..... | I44 | H3529X8..... | I45 |
| DLFK50CCW24..... | I50 | FBP100..... | H36 | FSP120..... | H36 | H3159X6..... | I44 | H3559X12..... | I45 |
| DLFK50CCWSM..... | I50 | FBP100GF..... | H37 | FSP150..... | H36 | H3159X8..... | I44 | H3609X12..... | I45 |
| DLFK70CCW..... | I50 | FBP120GF..... | H37 | FSP200..... | H36 | H3169X2..... | I44 | H3609X4..... | I45 |
| DM0212BF..... | A20 | FBP150..... | H36 | FSP260..... | H36 | H3169X4..... | I44 | H3609X8..... | I45 |
| DM0212BM..... | A20 | FBP150GF..... | H37 | FSS070..... | H37 | H3179X12..... | I44 | H3709X12..... | I45 |
| DM0214BMC..... | A20 | FDFO12..... | I8 | FSS100..... | H37 | H3179X16..... | I44 | H3709X16..... | I45 |
| DM1212B..... | A20 | FDFO25..... | I8 | FSSW025..... | I8 | H3179X2..... | I44 | H3709X2..... | I45 |
| DP100..... | H40 | FDFO38..... | I8 | FSSW038..... | I8 | H3179X4..... | I44 | H3709X20..... | I45 |
| DP102..... | H40 | FDFO50..... | I8 | FSSW050..... | I8 | H3179X6..... | I44 | H3709X4..... | I45 |
| DTB102..... | F9 | FDFO75..... | I8 | FSSW075..... | I8 | H3179X8..... | I44 | H3709X6..... | I45 |
| DTB96..... | F9 | FDFO100..... | I8 | FSSW100..... | I8 | H3209X12X8..... | I44 | H3709X8..... | I45 |
| DTB98A..... | F9 | FDFO125..... | I8 | FSSW125..... | I8 | H3209X16X12..... | I44 | H3759X12..... | I45 |
| DTG..... | F10 | FDFO150..... | I8 | FSSW150..... | I8 | H3209X8X4..... | I44 | H3759X16..... | I45 |
| DTR..... | F10 | FDFO200..... | I8 | FWD24..... | B12 | H3209X8X6..... | I44 | H3759X4..... | I45 |
| DTR1..... | F10 | FDFO250..... | I8 | FWD32..... | B12 | H3269X10X12..... | I44 | H3759X6..... | I45 |
| DTR4510..... | E3, F6 | FDFO300..... | I8 | FWD36..... | B12 | H3269X10X4..... | I44 | H3759X8..... | I45 |
| DTR5012..... | F6 | FDFO400..... | I8 | FWRC..... | B12 | H3269X10X6..... | I44 | H412538LH..... | H38 |
| DTR5014..... | F6 | FFO606..... | I43 | G9003..... | B11 | H3269X10X8..... | I44 | H412538RH..... | H38 |
| DTR5508..... | E3, F6 | FFO608..... | I43 | G9003UBK..... | B11 | H3269X12X12..... | I44 | H412550LH..... | H38 |
| DTR5511..... | E3, F6 | FFO808..... | I43 | G9542..... | B11 | H3269X12X8..... | I44 | H412550RH..... | H38 |
| DTR5514..... | F6 | FFO812..... | I43 | GPS1..... | I27 | H3269X16X12..... | I44 | H5015X10X8..... | I46 |
| DTR6014..... | F6 | FFO8FC..... | I43 | H101CK..... | K20 | H3269X16X16..... | I44 | H5015X16X12..... | I46 |
| DTR6515..... | F6 | FFO8MC..... | I43 | H102CKCCW..... | K20 | H3269X16X8..... | I44 | H5015X6X4..... | I46 |
| DTR6518..... | F6 | FFD625SS..... | H13 | H102CKCW..... | K20 | H3269X20X16..... | I44 | H5015X8X4..... | I46 |
| DTR7012..... | F6 | FFD626SS..... | H13 | H2136101..... | I17 | H3269X20X20..... | I44 | H5015X8X6..... | I46 |
| DTR7015..... | F6 | FH000..... | I31 | H2136121..... | I17 | H3269X6X4..... | I44 | H5036171..... | I18 |
| DTR7015S..... | F6 | FH001..... | I31 | H2136151..... | I17 | H3269X6X6..... | I44 | H5036201..... | I18 |
| DTR7018..... | F6 | FH115..... | I32 | H2136153..... | I17 | H3269X8X4..... | I44 | H5036203..... | I18 |
| DTR7018S..... | F6 | FH125..... | I32 | H2136171..... | I17 | H3269X8X6..... | I44 | H5036221..... | I18 |
| DTR7020..... | F6 | FH215..... | I33 | H2136173..... | I17 | H3269X8X8..... | I44 | H5036251..... | I18 |
| DTR7021S..... | F6 | FH225..... | I33 | H2136201..... | I17 | H3293X282..... | L4 | H5036253..... | I18 |
| DTR7022..... | F6 | FH315..... | I33 | H2136203..... | I17 | H3309X12..... | I45 | H504..... | I17, I18, I19 |
| DTR7512..... | F6 | FH325..... | I33 | H2550..... | H38 | H3309X16..... | I45 | H5105X10..... | I46 |
| DTR7515..... | F6 | FH415..... | I34 | H3013X013..... | L4 | H3309X2..... | I45 | H5105X12..... | I46 |
| DTR7515S..... | F6 | FH425..... | I34 | H3069X12..... | I44 | H3309X4..... | I45 | H5105X14..... | I46 |
| DTR7518..... | F6 | FH625..... | I31 | H3069X12X8..... | I44 | H3309X6..... | I45 | H5105X3..... | I46 |
| DTR7520..... | F6 | FH715..... | I32 | H3069X16..... | I44 | H3309X6X4..... | I45 | H5105X4..... | I46 |
| DTR7520S..... | F6 | FH725..... | I32 | H3069X2..... | I44 | H3309X8..... | I45 | H5105X6..... | I46 |
| DTR8018..... | F6 | FM0606..... | I43 | H3069X20..... | I44 | H3309X8X6..... | I45 | H5105X8..... | I46 |
| DTR8022..... | F6 | FM0608..... | I43 | H3069X4..... | I44 | H3359X12..... | I45 | H5129X10..... | I46 |
| E22..... | I13 | FM0808..... | I43 | H3069X4X2..... | I44 | H3359X16..... | I45 | H5129X12..... | I46 |
| E32..... | I13 | FM0812..... | I43 | H3069X6..... | I44 | H3359X2..... | I45 | H5129X14..... | I46 |
| EH02CL..... | B28 | FM08S12..... | I43 | H3069X6X4..... | I44 | H3359X4..... | I45 | H5129X16..... | I46 |
| F1200S..... | I26 | FMR8S..... | I7 | H3069X8..... | I44 | H3359X6..... | I45 | H5129X20..... | I46 |
| F1200SAE..... | I26 | FMR8S3W..... | I7 | H3069X8X4..... | I44 | H3359X8..... | I45 | H5129X4..... | I46 |
| F400B..... | I26 | FMR8S3WPB..... | I7 | H3069X8X6..... | I44 | H3393X393..... | L4 | H5129X5..... | I46 |
| F400S..... | I26 | FMR8S4W..... | I7 | H3109X12X4..... | I44 | H3409X12..... | I45 | H5129X6..... | I46 |
| F400SAE..... | I26 | FMR8S4WPB..... | I7 | H3109X12X6..... | I44 | H3409X16..... | I45 | H5129X8..... | I46 |
| F600S..... | I26 | FNE031018034..... | H41 | H3109X12X8..... | I44 | H3409X2..... | I45 | H5134171..... | I19 |
| F600SAE..... | I26 | FRL12150..... | J7 | H3109X16X12..... | I44 | H3409X20..... | I45 | H5134251..... | I19 |
| F800S..... | I26 | FS012..... | I8 | H3109X16X6..... | I44 | H3409X4..... | I45 | H5165X10..... | I46 |
| F800SAE..... | I26 | FS025..... | I8 | H3109X16X8..... | I44 | H3409X6..... | I45 | H5165X12..... | I46 |

Numerical Index

INDEX

| PART NO. | PAGE NO. | PART NO. | PAGE NO. | PART NO. | PAGE NO. | PART NO. | PAGE NO. | PART NO. | PAGE NO. |
|------------------|----------|-----------------|----------|------------------|----------|------------------|----------|----------------|----------|
| H5165X16..... | 146 | H5355X10..... | 147 | H5716X8..... | 148 | H9405X20X20..... | 149 | HC295..... | 140 |
| H5165X4..... | 146 | H5355X12..... | 147 | H5726X6..... | 148 | H9405X4X4..... | 149 | HC300..... | 140 |
| H5165X6..... | 146 | H5355X16..... | 147 | H5726X8..... | 148 | H9405X4X6..... | 149 | HC310..... | 140 |
| H5165X8..... | 146 | H5355X4X4..... | 147 | H5924X10..... | 148 | H9405X6X4..... | 149 | HC400..... | 140 |
| H5205X10..... | 146 | H5355X6..... | 147 | H5924X12..... | 148 | H9405X6X6..... | 149 | HC410..... | 140 |
| H5205X10X12..... | 146 | H5355X6X6..... | 147 | H5924X16..... | 148 | H9405X6X8..... | 149 | HC500..... | 140 |
| H5205X12..... | 146 | H5355X8..... | 147 | H5924X4..... | 148 | H9405X8X12..... | 149 | HC600..... | 140 |
| H5205X12X16..... | 146 | H5356X10..... | 147 | H5924X6..... | 148 | H9405X8X6..... | 149 | HCN050..... | 137 |
| H5205X12X8..... | 146 | H5356X12..... | 147 | H5924X8..... | 148 | H9405X8X8..... | 149 | HCN075..... | 137 |
| H5205X16..... | 146 | H5356X16..... | 147 | H6134171..... | 119 | H9406X8X8X8..... | 149 | HCN100..... | 137 |
| H5205X16X12..... | 146 | H5356X6..... | 147 | H6134251..... | 119 | H9455X24X24..... | 149 | HCN125..... | 137 |
| H5205X20..... | 146 | H5356X8..... | 147 | H7238X10..... | 145 | H9455X32X32..... | 149 | HCN150..... | 137 |
| H5205X4..... | 146 | H5365X12..... | 147 | H7238X12..... | 145 | H9455X4X4..... | 149 | HCN200..... | 137 |
| H5205X4X4..... | 146 | H5365X4..... | 147 | H7238X16..... | 145 | H9455X8X8..... | 149 | HCN250..... | 137 |
| H5205X4X6..... | 146 | H5365X6..... | 147 | H7238X2..... | 145 | H9515X10X8..... | 149 | HCN300..... | 137 |
| H5205X4X8..... | 146 | H5405X10..... | 147 | H7238X20..... | 145 | H9515X12X12..... | 149 | HCR050..... | 130 |
| H5205X6..... | 146 | H5405X12..... | 147 | H7238X4..... | 145 | H9515X16X16..... | 149 | HCR050SAE..... | 130 |
| H5205X6X2..... | 146 | H5405X12X8..... | 147 | H7238X6..... | 145 | H9515X4X4..... | 149 | HCR075..... | 130 |
| H5205X6X6..... | 146 | H5405X16..... | 147 | H7238X8..... | 145 | H9515X6X6..... | 149 | HCV038..... | 135 |
| H5205X6X8..... | 146 | H5405X20..... | 147 | H890X20X16..... | 148 | H9515X6X8..... | 149 | HCV050..... | 135 |
| H5205X8..... | 146 | H5405X24..... | 147 | H9100X12X12..... | 149 | H9515X8X6..... | 149 | HCV075..... | 135 |
| H5205X8X12..... | 146 | H5405X4..... | 147 | H9100X16X16..... | 149 | H9515X8X8..... | 149 | HCV100..... | 135 |
| H5205X8X4..... | 146 | H5405X4X4..... | 147 | H9100X4X4..... | 149 | HBF12..... | 110 | HCV08..... | 130 |
| H5205X8X8..... | 146 | H5405X6..... | 147 | H9100X6X6..... | 149 | HBF12P..... | 110, 154 | HD200125..... | 112 |
| H5229X10..... | 146 | H5405X6X6..... | 147 | H9100X8X8..... | 149 | HBF16..... | 110 | HDCL252..... | K11 |
| H5229X12..... | 146 | H5405X6X8..... | 147 | H9205X12X12..... | 149 | HBF2..... | 110 | HDCL262..... | K11 |
| H5229X16..... | 146 | H5405X8..... | 147 | H9205X12X16..... | 149 | HBF4..... | 110 | HDCL352..... | K11 |
| H5229X20..... | 146 | H5405X8X12..... | 147 | H9205X12X8..... | 149 | HBF6..... | 110 | HDCL362..... | K11 |
| H5229X4..... | 146 | H5405X8X8..... | 147 | H9205X16X12..... | 149 | HBF8..... | 110 | HDS36205..... | 119 |
| H5229X5..... | 146 | H5425X10..... | 147 | H9205X16X16..... | 149 | HBV025..... | 111 | HDS36255..... | 119 |
| H5229X6..... | 146 | H5425X14..... | 147 | H9205X20X20..... | 149 | HBV038..... | 111 | HDSSCP012..... | 138 |
| H5229X8..... | 146 | H5425X4X4..... | 147 | H9205X24X24..... | 149 | HBV050..... | 111 | HDSSCP025..... | 138 |
| H5255X20..... | 146 | H5455X10..... | 147 | H9205X32X32..... | 149 | HBV075..... | 111 | HDSSCP038..... | 138 |
| H5255X32..... | 146 | H5455X16..... | 147 | H9205X4X4..... | 149 | HBV100..... | 111 | HDSSCP050..... | 138 |
| H5255X6..... | 146 | H5505X12..... | 147 | H9205X4X6..... | 149 | HBV125..... | 111 | HDSSCP075..... | 138 |
| H5255X8X8..... | 146 | H5505X8..... | 147 | H9205X6X4..... | 149 | HBV150..... | 111 | HDSSCP100..... | 138 |
| H5305X10..... | 146 | H5506X10..... | 148 | H9205X6X6..... | 149 | HBV200..... | 111 | HDSSCP125..... | 138 |
| H5305X12..... | 146 | H5506X12..... | 148 | H9205X6X8..... | 149 | HBV250..... | 111 | HDSSCT025..... | 139 |
| H5305X4..... | 146 | H5506X16..... | 148 | H9205X8X12..... | 149 | HBV3W038..... | 111 | HDSSCT031..... | 139 |
| H5305X6..... | 146 | H5506X4..... | 148 | H9205X8X6..... | 149 | HBV3W050..... | 111 | HDSSCT038..... | 139 |
| H5305X8..... | 146 | H5506X6..... | 148 | H9205X8X8..... | 149 | HBV3W075..... | 111 | HDSSCT050..... | 139 |
| H5315X10..... | 147 | H5506X8..... | 148 | H9255X12X12..... | 149 | HBV3W100..... | 111 | HDSSCT125..... | 139 |
| H5315X10X12..... | 147 | H5515X10..... | 148 | H9255X16X16..... | 149 | HBV3W125..... | 111 | HFA11015..... | 132 |
| H5315X10X8..... | 147 | H5515X12..... | 148 | H9255X8X8..... | 149 | HBVS025..... | 111 | HFA11025..... | 132 |
| H5315X12..... | 147 | H5515X14..... | 148 | H9315X10X12..... | 149 | HBVS038..... | 111 | HFA12515..... | 132 |
| H5315X12X10..... | 147 | H5515X16..... | 148 | H9315X10X8..... | 149 | HBVS050..... | 111 | HFA12525..... | 132 |
| H5315X12X16..... | 147 | H5515X5..... | 148 | H9315X12X12..... | 149 | HBVS075..... | 111 | HFA21015..... | 133 |
| H5315X12X8..... | 147 | H5515X6..... | 148 | H9315X12X16..... | 149 | HBVS100..... | 111 | HFA21025..... | 133 |
| H5315X16..... | 147 | H5515X6X8..... | 148 | H9315X4X4..... | 149 | HC095..... | 140 | HFA22515..... | 133 |
| H5315X16X20..... | 147 | H5515X8..... | 148 | H9315X6X6..... | 149 | HC100..... | 140 | HFA22525..... | 133 |
| H5315X4..... | 147 | H5515X8X10..... | 148 | H9315X6X8..... | 149 | HC125..... | 140 | HFA31015..... | 133 |
| H5315X4X6..... | 147 | H5515X8X6..... | 148 | H9315X8X6..... | 149 | HC130..... | 140 | HFA31025..... | 133 |
| H5315X6..... | 147 | H5525X12..... | 148 | H9315X8X8..... | 149 | HC150..... | 140 | HFA32515..... | 133 |
| H5315X6X4..... | 147 | H5525X8..... | 148 | H9355X12X12..... | 149 | HC155..... | 140 | HFA32525..... | 133 |
| H5315X6X8..... | 147 | H5705X4..... | 148 | H9355X16X16..... | 149 | HC160..... | 140 | HFA41015..... | 134 |
| H5315X8..... | 147 | H5705X6..... | 148 | H9355X20X20..... | 149 | HC165..... | 140 | HFA41025..... | 134 |
| H5315X8X10..... | 147 | H5705X8..... | 148 | H9355X4X4..... | 149 | HC200..... | 140 | HFA42515..... | 134 |
| H5315X8X12..... | 147 | H5706X10..... | 148 | H9355X6X6..... | 149 | HC205..... | 140 | HFA42525..... | 134 |
| H5315X8X6..... | 147 | H5706X12..... | 148 | H9355X8X8..... | 149 | HC210..... | 140 | HFA51025..... | 135 |
| H5325X10..... | 147 | H5706X16..... | 148 | H9385X12X12..... | 149 | HC215..... | 140 | HFA52525..... | 135 |
| H5325X12..... | 147 | H5706X8..... | 148 | H9385X4X4..... | 149 | HC220..... | 140 | HFA91025..... | 135 |
| H5325X16..... | 147 | H5707X8..... | 148 | H9385X6X6..... | 149 | HC250..... | 140 | HFA92525..... | 135 |
| H5325X4..... | 147 | H5715X6..... | 148 | H9385X8X8..... | 149 | HC260..... | 140 | HFD075..... | 126 |
| H5325X6..... | 147 | H5715X8..... | 148 | H9405X12X12..... | 149 | HC270..... | 140 | HFD100..... | 126 |
| H5325X8..... | 147 | H5716X6..... | 148 | H9405X16X16..... | 149 | HC280..... | 140 | HFDL075..... | 126 |

Numerical Index

| PART NO. | PAGE NO. | PART NO. | PAGE NO. | PART NO. | PAGE NO. | PART NO. | PAGE NO. | PART NO. | PAGE NO. |
|-----------------|---------------|-----------------------------|----------|----------------------|----------|-------------------|----------|-----------------------------|----------|
| HFDL075SAE..... | I26 | HPGC160..... | I25 | HVE33PB..... | I24 | KS512..... | L9 | LFK5018..... | I50 |
| HGV038..... | I11 | HPGCB160..... | I25 | HVE342PR4PRPB..... | I24 | KS5612..... | L9 | LFK5024..... | I50 |
| HGV050..... | I11 | HPGCB300..... | I25 | HVE342PRPB..... | I24 | KS602..... | L9 | LL9000..... | H26 |
| HGV075..... | I11 | HPGP3..... | I25 | HVE344PB..... | I24 | KS612..... | L9 | LL90003..... | H26 |
| HGV100..... | I11 | HPGP5..... | I25 | HVE34M..... | I24 | L001..... | H22 | LR1..... | G14 |
| HGV125..... | I11 | HPGS1..... | I25 | HVE34M3PB..... | I24 | L1883..... | H27 | LS1665120..... | H5 |
| HGV150..... | I11 | HPGS10..... | I25 | HVE34PR3PR3PRPB..... | I24 | L1980..... | H27 | LS1665144..... | H5 |
| HGV200..... | I11 | HPGS100..... | I25 | HVE3PB..... | I24 | L3885..... | H27 | LS166545..... | H5 |
| HGV250..... | I11 | HPGS160..... | I25 | HVE4..... | I24 | L3885RLS..... | H26 | LS166548..... | H5 |
| HK0509..... | I40 | HPGS200..... | I25 | HVE42PRPB..... | I24 | L3890RLS..... | H26 | LS166554..... | H5 |
| HK0709..... | I40 | HPGS3..... | I25 | HVE44..... | I24 | L38RLSCH545..... | H28 | LS166572..... | H5 |
| HK0809..... | I40 | HPGS300..... | I25 | HVE44PB..... | I24 | L3980..... | H27 | LS166590..... | H5 |
| HK0913..... | I40 | HPGS4..... | I25 | HVE4PB..... | I24 | L8815..... | H26 | LT10..... | H14 |
| HK1013..... | I40 | HPGS5..... | I25 | HVE4PR..... | I24 | L8815GO..... | H26 | LT12..... | H14 |
| HK1113..... | I40 | HPGS500..... | I25 | HVE4PRPB..... | I24 | L8816..... | H26 | LT13..... | H14 |
| HK1213..... | I40 | HR1250..... | J7 | HVEH15..... | I24 | L8816R..... | H26 | LT15..... | H14 |
| HK1313..... | I40 | HR3850..... | J7 | HVEH9..... | I24 | L8825..... | H26 | LT20..... | H15 |
| HK1413..... | I40 | HRV07516..... | I30 | HVESB..... | I24 | L8835..... | H26 | LT22..... | H15 |
| HK1513..... | I40 | HRV07518..... | I30 | HW2000S..... | G9 | L8855..... | H26 | LT25..... | H15 |
| HK1713..... | I40 | HRV10018..... | I30 | HW800S..... | G9 | L8915..... | H26 | LT30..... | H15 |
| HK1813..... | I40 | HRV10025..... | I30 | K1010AS..... | J4 | LB1..... | D18 | LT32..... | H16 |
| HK1913..... | I40 | HSG075..... | I13 | K1010C..... | J4 | LB1SS..... | D18 | LT35..... | H16 |
| HK2017..... | I40 | HSG100..... | I13 | K1010FAS..... | J4 | LB253..... | D18 | LT37..... | H16 |
| HK2117..... | I40 | HSP15P...I32, I33, I34, I35 | I35 | K1010FAS1..... | J4 | LB3163..... | D16 | LT40..... | H16 |
| HK2317..... | I40 | HSP15V.....I32, I33, I34 | I34 | K1010TAS..... | J4 | LB3163ALDT..... | D16 | LW10..... | B14 |
| HK2517..... | I40 | HSV050..... | I27 | K11N..... | L9 | LB3163SLALDT..... | D16 | LW20..... | B14 |
| HK2917..... | I40 | HSV075..... | I27 | K15N..... | L9 | LB3163SLSST..... | D16 | LW625..... | B13 |
| HK3117..... | I40 | HSV100..... | I27 | K18N..... | L9 | LB3163SST..... | D16 | LW847..... | B13 |
| HK3217..... | I40 | HSV1C..... | I27 | K24N..... | L9 | LB3253..... | D17 | M3100.....D6, I52, I53, I54 | |
| HK3317..... | I40 | HV020..... | I28 | K5N..... | L9 | LB3253ALDT..... | D17 | M3200..... | D6 |
| HK3417..... | I40 | HV1030..... | I29 | K70C..... | J2 | LB3253SST..... | D17 | M3300..... | D7 |
| HK3817..... | I40 | HV1030EP..... | I27 | K70DETCLIP..... | J2 | LB383..... | D16 | M3400..... | D7 |
| HLLG1..... | I13 | HV1030EPG..... | I27 | K70DF..... | J2 | LB383ALDT..... | D16 | MFBH2375A..... | E23 |
| HMO02P..... | I21 | HV1030LS..... | I29 | K70DFD..... | J2 | LB383ALSM..... | D16 | MFBH2375F..... | E23 |
| HMO04P..... | I21 | HV1030SAE..... | I29 | K70DFNKO..... | J2 | LB383P..... | D16 | MFW2375..... | E23 |
| HMO12P..... | I21 | HV11AG2EDO..... | I22 | K80..... | J2 | LB383SL..... | D16 | N1883..... | H27 |
| HMO14P..... | I21 | HV11AG00D0..... | I22 | K80D..... | J2 | LB383SLALDT..... | D16 | N1980..... | H27 |
| HMO32P..... | I21 | HV11AG00F0..... | I22 | K80DF..... | J2 | LB383SST..... | D16 | N3885..... | H27 |
| HMO34P..... | I21 | HV11BG00D0..... | I22 | K80F..... | J2 | LB384..... | D16 | N3980..... | H27 |
| HMO42P..... | I21 | HV13AG2EDO..... | I22 | K85DF..... | J2 | LB384SST..... | D16 | NB10A..... | L10 |
| HMO44P..... | I21 | HV13AG00D0..... | I22 | K85F..... | J2 | LB4663SST..... | D14 | NB12A..... | L10 |
| HMO52P..... | I21 | HV13PG00D0..... | I22 | K90..... | J2 | LB4773SST..... | D14 | NB7A..... | L10 |
| HMO54P..... | I21 | HV211AAG2EDO..... | I22 | K90C..... | J3 | LB5638..... | G9 | NBTOM25P125S..... | J10 |
| HMO62P..... | I21 | HV211AAG3EBO..... | I22 | K90D..... | J2 | LB6123..... | D18 | NBTOM25P25S..... | J10 |
| HMO64P..... | I21 | HV211AAG00D0..... | I22 | K90LC..... | J3 | LB6123ALDT..... | D18 | NBTOM375P375S..... | J10 |
| HMO72P..... | I21 | HV231AAG3EDO..... | I22 | K90TC..... | J3 | LB6123SST..... | D18 | NC00M25P125..... | J10 |
| HMO74P..... | I21 | HV231NAG2ECO..... | I22 | K90TGC..... | J3 | LB6183..... | D18 | NC00M25P25..... | J10 |
| HMO82P..... | I21 | HV233AAG2EDO..... | I22 | K9N..... | L9 | LB6183ALDT..... | D18 | NC00M375P25..... | J10 |
| HMO84P..... | I21 | HV25..... | I23 | KAN..... | L9 | LB6183SST..... | D18 | NC00M375P375..... | J10 |
| HP10..... | B29, H21, H22 | HV25H..... | I23 | KBN..... | L9 | LB663..... | D17 | NE90M25P125S..... | J10 |
| HP11..... | B29 | HV3111AAAG2EDO..... | I22 | KCN..... | L9 | LB663ALDT..... | D17 | NE90M25P25S..... | J10 |
| HP12..... | B29 | HV3111AAAG00D0..... | I22 | KP20025..... | B12 | LB663ALSM..... | D17 | NE90M375P25S..... | J10 |
| HP13..... | B29 | HV3311NAAG2ECO..... | I22 | KP20031..... | B12 | LB663SL..... | D17 | NE90M375P375S..... | J10 |
| HP16108..... | I37 | HV3331NAAG2ECO..... | I22 | KP20038..... | B12 | LB663SLALDT..... | D17 | NRTOM25P125S..... | J10 |
| HP16132..... | I37 | HV515LS..... | I29 | KP20050..... | B12 | LB663SST..... | D17 | NT04100..... | J9 |
| HP16144..... | I37 | HV715..... | I29 | KPL200..... | B12 | LB743..... | D16 | NT04250..... | J9 |
| HP1660..... | I37 | HV715EP..... | I27 | KPL300..... | B12 | LB8133..... | D17 | NT06100..... | J9 |
| HP1672..... | I37 | HV715EPG..... | I27 | KS302..... | L9 | LB8443SST..... | D14 | NT06500..... | J9 |
| HP1696..... | I37 | HV715SAE..... | I29 | KS312..... | L9 | LB8445SST..... | D14 | NT08100..... | J9 |
| HP545WC..... | B29 | HVC020..... | I28 | KS402..... | L9 | LB8663SST..... | D14 | NT08500..... | J9 |
| HP6253WC..... | B29 | HVC1..... | I29 | KS404..... | L9 | LB8665SST..... | D14 | NT10100..... | J9 |
| HP6256WC..... | B29 | HVC1030..... | I29 | KS412..... | L9 | LDR02A..... | I9 | NT10250..... | J9 |
| HP625SC..... | B29 | HVC715..... | I29 | KS4512..... | L9 | LDR04..... | I9 | NT12050..... | J9 |
| HP9..... | B29 | HVE3..... | I24 | KS502..... | L9 | LFK3718..... | I51 | NTB04100..... | J9 |
| HPGC100..... | I25 | HVE334PB..... | I24 | KS504..... | L9 | LFK3724..... | I51 | NTB06100..... | J9 |

Numerical Index

| PART NO. | PAGE NO. | PART NO. | PAGE NO. | PART NO. | PAGE NO. | PART NO. | PAGE NO. | PART NO. | PAGE NO. |
|---------------|------------|----------------|----------|-----------------|----------|------------------|----------|-----------------|----------|
| NTG06100..... | J9 | PPM08..... | I9 | R21CX10..... | K5 | RO5B5X10..... | K5 | SA1..... | L4 |
| NTR04100..... | J9 | PPM12..... | I9 | R21CX15..... | K5 | RO5B5X15..... | K5 | SA1447WDNH..... | H5 |
| NTR06100..... | J9 | PPM16..... | I9 | R38D6X06..... | K4 | RO9D3.5X06..... | K5 | SA1454WDNH..... | H5 |
| NTY04100..... | J9 | PS15..... | I13 | R38D6X08..... | K4 | RO9D3.5X10..... | K5 | SA2..... | L4 |
| NUCOP25..... | J10 | PS25..... | I13 | R38D6X10..... | K4 | RO9D3.5X15..... | K5 | SA3..... | L4 |
| NUCOP375..... | J10 | PS2501K..... | I13 | R38D6X12..... | K4 | RO9D3.5X20..... | K5 | SA4..... | L4 |
| NUCOP500..... | J10 | PS2575..... | I13 | R38D6X15..... | K4 | RO9D3.5X25..... | K5 | SAC010..... | J3 |
| NUCOP625..... | J10 | PSK25..... | I9 | R38D6X20..... | K4 | RO9D3.5X30..... | K5 | SAC010B..... | K7 |
| NUCOP750..... | J10 | PU303LRS..... | I53 | R38D6X25..... | K4 | RP8..... | H17 | SAC010M..... | J3 |
| NUEOP25..... | J10 | PU304..... | I54 | R38D6X30..... | K4 | RS1..... | H10 | SBH2..... | B21 |
| NUEOP375..... | J10 | PU304LR..... | I54 | R38DR3X04..... | K4 | RS132715F..... | G11 | SC38B..... | B28 |
| NUTOP25..... | J10 | PU310..... | I54 | R38DR3X06..... | K4 | RS2..... | H11 | SC44B..... | B28 |
| NUTOP375..... | J10 | PU310LR..... | I54 | R38DR3X08..... | K4 | RS2SS..... | H11 | SC450C..... | B28 |
| OP181815..... | G17 | PU311..... | I53 | R38DR3X10..... | K4 | RS2W..... | H11 | SC50B..... | B28 |
| OP18X18..... | G17 | PU311LR..... | I53 | R38DR3X12..... | K4 | RS2Y..... | H11 | SC58B..... | B28 |
| OP18X18P..... | G17 | PU319..... | I52 | R38DR3X15..... | K4 | RS3..... | H11 | SG1501048..... | H8 |
| OP18X18R..... | G17 | PU319LR..... | I52 | R38LL5X08..... | K3 | RS3SS..... | H11 | SG2228..... | E22 |
| OP242415..... | G17 | PU319LRS..... | I52 | R38LL5X10..... | K3 | RS3Y..... | H11 | SG2229..... | E22 |
| OP24X24P..... | G17 | PU3593..... | I52 | R38LL5X12..... | K3 | RT1251206..... | B21 | SH2027..... | L4 |
| P11C..... | B2, B3, B4 | PU3593LR..... | I52 | R38LL5X15..... | K3 | RT1251206UP..... | B21 | SH35..... | H28 |
| P12..... | L12 | PU3593LRV..... | I52 | R38LL5X20..... | K3 | RT255808..... | B21 | SH40..... | H28 |
| P12SCR..... | L12 | PU5003..... | I53 | R38LLR3X08..... | K3 | RT255812..... | B21 | SH675..... | H21 |
| P14..... | L12 | PU5007..... | I53 | R38LLR3X10..... | K3 | RT255818..... | B21 | SH675SS..... | H21 |
| P15..... | L12 | PU526..... | I54 | R38LLR3X12..... | K3 | RT25806..... | B21 | SI1003..... | I12 |
| P16..... | L12 | PU642..... | I52 | RAB038025..... | H24 | RT25806B..... | B21 | SI1253..... | I12 |
| P16SCR..... | L12 | PU642LR..... | I52 | RAB050038..... | H24 | RT25808..... | B21 | SI1503..... | I12 |
| P18..... | L12 | PU642LRS..... | I52 | RAB125075..... | I37 | RT25808B..... | B21 | SI2003..... | I12 |
| P18HEX..... | L12 | PU642S..... | I52 | RAB125100..... | I37 | RT25810..... | B21 | SI2503..... | I12 |
| P18SCR..... | L12 | QDDC121..... | I41 | RAB150125..... | I37 | RT25810B..... | B21 | SK10..... | H24 |
| P20..... | L12 | QDDC161..... | I41 | RAB200125..... | I37 | RT25812..... | B21 | SK11..... | H25 |
| P20SCR..... | L12 | QDDC201..... | I41 | RAB200150..... | I37 | RT25812B..... | B21 | SK12..... | H24 |
| P22SCR..... | L12 | QDDC241..... | I41 | RB102000..... | B3 | RT25814..... | B21 | SK14..... | H25 |
| P24..... | L12 | QDDP122..... | I41 | RB102516..... | B3 | RT25814B..... | B21 | SK16..... | H25 |
| P24SCR..... | L12 | QDDP162..... | I41 | RB1780..... | B2, B3 | RT25818..... | B21 | SL100..... | H43 |
| P28SCR..... | L12 | QDDP202..... | I41 | RB2000..... | B2, B3 | RT25818B..... | B21 | SL40AR..... | C18 |
| P30SCR..... | L12 | QDS52..... | K8 | RB2516..... | B2, B3 | RT25824..... | B21 | SL40CR..... | C18 |
| P32SCR..... | L12 | QDS62..... | K8 | RB50MM..... | B2, B3 | RT25824B..... | B21 | SL41AR..... | C18 |
| P45AC4..... | B6 | QDWC12..... | I41 | RC10L..... | E13 | RT25836..... | B21 | SL475A..... | C39 |
| P45AC4BK..... | B6 | QDWC121..... | I41 | RC10S..... | E13 | RT25836B..... | B21 | SL475R..... | C39 |
| P45AC4K..... | B6 | QDWC122..... | I41 | RC18PPB..... | E20 | RT25848..... | B21 | SL500A..... | C41 |
| P45AC6..... | B6 | QDWC16..... | I41 | RC18PPW..... | E20 | RT25848B..... | B21 | SL501A..... | C39 |
| P45AC6BK..... | B6 | QDWC161..... | I41 | RC24PPB..... | E20 | RTA252..... | B21 | SL620ALP..... | C40 |
| P45AC6K..... | B6 | QDWC162..... | I41 | RC24PPW..... | E20 | RTD12271F..... | G11 | SL630A..... | C40 |
| P5262..... | K22 | QDWC20..... | I41 | RC30PPB..... | E20 | RTD12271J..... | G11 | SL640ALP..... | C41 |
| PB10..... | I16 | QDWC201..... | I41 | RC30PPBLU..... | E20 | RTD211218..... | G11 | SL645ALP..... | C39 |
| PH15..... | B4 | QDWC202..... | I41 | RC30PPR..... | E20 | RTD411218..... | G11 | SL645CLP..... | C39 |
| PH20..... | B5 | QDWC24..... | I41 | RC30PPW..... | E20 | RVA24..... | B22 | SL646ALP..... | C39 |
| PH30..... | B5 | QDWC241..... | I41 | RC36PPB..... | E20 | S41..... | H35 | SL650A..... | C41 |
| PH45..... | B6 | QDWC242..... | I41 | RC36PPW..... | E20 | S42..... | H35 | SL65AO..... | C18 |
| PH5..... | B4 | QSA52..... | K9 | RC40PPB..... | E20 | S43..... | H35 | SL65CO..... | C18 |
| PH50..... | B7 | QSA52M..... | K9 | RC40PPW..... | E20 | S47..... | H35 | SL660A..... | C42 |
| PH50AC..... | B7 | QSA62..... | K9 | RC8M..... | E13 | S48..... | H35 | SL665A..... | C39 |
| PH50ACMK..... | B7 | QSA62M..... | K9 | RH4350..... | H17 | S49..... | H35 | SL66AC..... | C18 |
| PH55..... | B7 | QSSPT52..... | K8 | RL650A..... | C42 | S50..... | H35 | SL66AG..... | C18 |
| PH55AC..... | B7 | QSSPT62..... | K8 | RLB3812..... | G9 | S5313..... | H35 | SL66AO..... | C18 |
| PH8..... | B4 | QSSPU52..... | K8 | RLB5638..... | G9 | S55..... | H35 | SL675ALP..... | C40 |
| PLB11SS..... | D15 | QSSPU62..... | K8 | RM10..... | I31 | S63..... | H35 | SL67AO..... | C18 |
| PLB12SS..... | D15 | QTD..... | K8, K9 | RM10H..... | B30 | S64..... | H35 | SL685ALP..... | C40 |
| PM1012..... | B5 | QTS..... | K8 | RM1225E..... | B30 | S65..... | H35 | SL695A..... | C40 |
| PM105..... | B5 | QTS52..... | K9 | RM12H..... | B30 | S67..... | H35 | SL696A..... | C40 |
| PM107..... | B5 | QTS62..... | K9 | RM5P..... | B2 | S72..... | H35 | SLH100..... | H43 |
| PM25612..... | B5 | QTT..... | K9 | RM62000..... | B2 | S73..... | H35 | SMC35A..... | I3 |
| PM812..... | B5 | R109..... | K2 | RM62516..... | B2 | S74..... | H35 | SMC50A..... | I3 |
| PM84..... | B5 | R21CX06..... | K5 | RM650M..... | B2 | S75..... | H35 | SMC70A..... | I3 |
| PM87..... | B5 | R21CX08..... | K5 | RO5B5X06..... | K5 | S77..... | H35 | SMR15S..... | I6 |

| PART NO. | PAGE NO. | PART NO. | PAGE NO. | PART NO. | PAGE NO. | PART NO. | PAGE NO. | PART NO. | PAGE NO. |
|---------------|----------|--------------|----------|---------------|----------|--------------|----------|-----------|----------|
| SMR15SF10 | 15 | SW1250753 | 112 | TGC32506V | H18 | TSCT038 | 139 | WC0888 | E15 |
| SMR15SF25 | 15 | SW1501003 | 112 | TGC32506VK | H18 | TSCT062 | 139 | WC091060 | E19 |
| SMR15SS | 16 | SW2001253 | 112 | TGC32506VSPK | H18 | TSCT075 | 139 | WC091061 | E19 |
| SMR15SSF10 | 16 | SW2002003 | 112 | TGC32508HM | H18 | TSCT087 | 139 | WC100609 | E19 |
| SMR15SSF25 | 16 | SW3002003 | 112 | TGC32508HMKSA | H18 | TSCT100 | 139 | WC1085H | E14 |
| SMR15VESS | 17 | SW700 | D2 | TGC32508V | H18 | TSCT125 | 139 | WC1086 | E14 |
| SMR25AF10 | 14 | SW710 | D2, F8 | TGC32508VKSA | H18 | TSCT150 | 139 | WC1086UWH | E15 |
| SMR25AF25 | 14 | SW901 | D2 | TGC32508VSPK | H18 | U0L3FE | 131 | WC1267 | E18 |
| SMR25P | 15 | SW911 | D2 | TGCAM0001 | H23 | U1L3FE | 131, 132 | WC1467A | E16 |
| SMR25S | 15 | SW9111 | D2 | TGCAM0002 | H23 | U1L6FE | 131, 132 | WC1468A | E16 |
| SMR25SF10 | 15 | TAF001 | 110 | TGCAM0003 | H23 | U3L007 | 132, 133 | WC1588 | E18 |
| SMR25SF25 | 15 | TAF001A | 110 | TGCAM0004 | H23 | U3L3FE | 133, 134 | WC181212 | E19 |
| SMR30S | 14 | TC0015 | 110 | TGL3410 | H21 | U3L6FE | 133, 134 | WC24483 | E16 |
| SMR30SS | 14 | TC1002 | B43, F8 | TGL3410HDW | H21 | U3LWF | 136 | WC2556A | E14 |
| SMR30SS10 | 14 | TC1004 | B43 | TGL3410SS | H21 | U3LWF3 | 136 | WC35225 | E17 |
| SMR30SS25 | 14 | TC1006 | B43 | TGL3410ST | H21 | U3LWF4 | 136 | WC6096A | E18 |
| SMR30VESS | 17 | TC1007 | B44 | TGL34BKT | H21 | U5L3FE | 135 | WC6810L | E14 |
| SMR37S | 14 | TC1007B | B48 | TGL34BKTF | H21 | U5L6FE | 135 | WC7118A | E18 |
| SMR50P | 13 | TC1007P | B43 | TGL34BKTS | H21 | U9L3FE | 135 | WC765 | E18 |
| SMR7S | 16 | TC1007Z | B44 | TGL34CL | H21 | U9L6FE | 135 | WC786 | E17 |
| SMS005BK | 13 | TC1012 | B43, F8 | TGL34CLCS | H21 | UB623512 | H2 | WC796R | E16 |
| SMS50S | 13 | TC1046B | B48 | TGL34CLSS | H21 | UB623514 | H2 | WC8118 | E17 |
| SMS70S | 13 | TC1067P | B44 | TGL34SB | H21 | UB623516 | H2 | WC8127 | E17 |
| SMWLK50ADMCCW | 151 | TC107 | B47 | TGL34SBR | H21 | UB623518 | H2 | WC9642Y | E17 |
| SMWLK50DMCCW | 151 | TC1077P | B47 | TH612714 | E13 | UB623520 | H2 | WCB186 | E18 |
| SMWLK50PDMCCW | 151 | TC1242 | B48 | TH9934 | E13 | UB623522 | H2 | WJ100WCB | H33 |
| SMWLK50PDMCW | 151 | TC1244 | B48 | TL257M | D8 | UB623524 | H2 | WJ195 | H31 |
| SMWLK70ADMCCW | 151 | TC1456 | B48 | TL382 | H30 | UR35A | 12 | WJ201A | H31 |
| SMWLK70ADMCCW | 151 | TC1474P | B45 | TLP100 | H45 | UR50A | 12 | WJ201U | H31 |
| SMWLK70DMCCW | 151 | TC1770B | B45 | TLP625 | H45 | UR50MK | 12 | WJ202 | H31 |
| SMWLK70DMCW | 151 | TC1770P | B45 | TLP750 | H45 | UR50P | 12 | WJ205 | H31 |
| SS | L9 | TC1771P | B45 | TNP716625750 | B13 | UR50S | 12 | WJ205R0 | H31 |
| SS11 | H35 | TC1772P | B11, B45 | TNP716750100 | B13 | UR70A | 12 | WJ206 | H31 |
| SS12 | H35 | TC1774P | B45 | TR6211512Z | H3 | UR70S | 12 | WJ206R0 | H31 |
| SS15 | H35 | TC2002 | B43, F8 | TR6211514 | H3 | UTVS16 | E26 | WJ208 | H31 |
| SS15N | H35 | TC2004 | B43 | TR6211516 | H3 | UWLK50ADMCCW | 150 | WJ208R0 | H31 |
| SS16 | H35 | TC2006 | B43 | TR6211518 | H3 | UWLK50ADMCCW | 150 | WJ211 | H32 |
| SS17 | H35 | TC2007 | B44 | TR6211520 | H3 | UWLK50DMCCW | 150 | WJ212 | H32 |
| SS18 | H35 | TC2007P | B43 | TR6211522 | H3 | UWLK50DMCW | 150 | WJ213 | H32 |
| SS19 | H35 | TC2007Z | B44 | TR6211524 | H3 | UWLK50PDMCCW | 150 | WJ215 | H32 |
| SS20 | H35 | TC2012 | B43, F8 | TR6211588 | H3 | UWLK50PDMCW | 150 | WJ225 | H33 |
| SS21 | H35 | TC2061 | B43 | TS15 | F12 | UWLK70ADMCCW | 150 | WJ96WCB | H33 |
| SS8 | H35 | TC2064P | B46 | TS20 | F12 | UWLK70DMCCW | 150 | WLH075600 | 136 |
| SS9 | H35 | TC2074P | B46 | TS31 | F12 | UWLK70DMCW | 150 | WLH100120 | 136 |
| SSCH025 | 138 | TC2074T | B46 | TS41 | F12 | VCGT3100X06 | K2 | WLH100600 | 136 |
| SSCH038 | 138 | TC2075P | B46 | TS9 | F12 | VCGT3100X10 | K2 | WLH10072 | 136 |
| SSCH050 | 138 | TC2076P | B47 | TSA13 | L8 | VCGT3100X15 | K2 | WLH10096 | 136 |
| SSCH062 | 138 | TC2076T | B47 | TSA1360 | L8 | VCGT3100X20 | K2 | WLH125120 | 136 |
| SSCH075 | 138 | TC2967P | B44 | TSA1372 | L8 | VCGT3100X25 | K2 | WLH125144 | 136 |
| SSCH100 | 138 | TCH10H | G18 | TSA7 | L3 | VCGT3100X30 | K2 | WLH125600 | 136 |
| SSCP038 | 139 | TCH10V | G18 | TSA760 | L3 | VCPTH0 | K2 | WLH12572 | 136 |
| SSCP050 | 139 | TCH12V | G18 | TSA772 | L3 | VCGTX06 | K2 | WN5811Z | H43 |
| SSCP075 | 139 | TFA005715 | 110 | TSCH025 | 138 | VCGTX10 | K2 | | |
| SSCP100 | 139 | TFA005715L | 110 | TSCH038 | 138 | VCGTX15 | K2 | | |
| SSCP125 | 139 | TFAN3 | 110 | TSCH050 | 138 | VCGTX20 | K2 | | |
| SSCT025 | 139 | TGBE3125 | H23 | TSCH062 | 138 | VCGTX25 | K2 | | |
| SSCT038 | 139 | TGBE3138 | H23 | TSCH075 | 138 | VCGTX30 | K2 | | |
| SSCT050 | 139 | TGBE6438 | H23 | TSCH100 | 138 | VCGTX35 | K2 | | |
| SSCT062 | 139 | TGC01TFK | H24 | TSCP025 | 138 | VH1 | 122 | | |
| SSCT075 | 139 | TGC02TFK | H24 | TSCP038 | 138 | VSC1 | K7 | | |
| SSCT100 | 139 | TGC25006V | H18 | TSCP050 | 138 | VSC2 | K7 | | |
| SSCT125 | 139 | TGC25006VSPK | H18 | TSCP075 | 138 | VSC3 | K7 | | |
| ST93 | G14 | TGC25008V | H18 | TSCP100 | 138 | VSC4 | K7 | | |
| STG1210 | E22 | TGC25008VK | H18 | TSCP125 | 138 | VSK001 | K13 | | |
| SW1000503 | 112 | TGC25008VSPK | H18 | TSCT025 | 139 | VSK040 | K13 | | |



DUMP TARP SYSTEMS



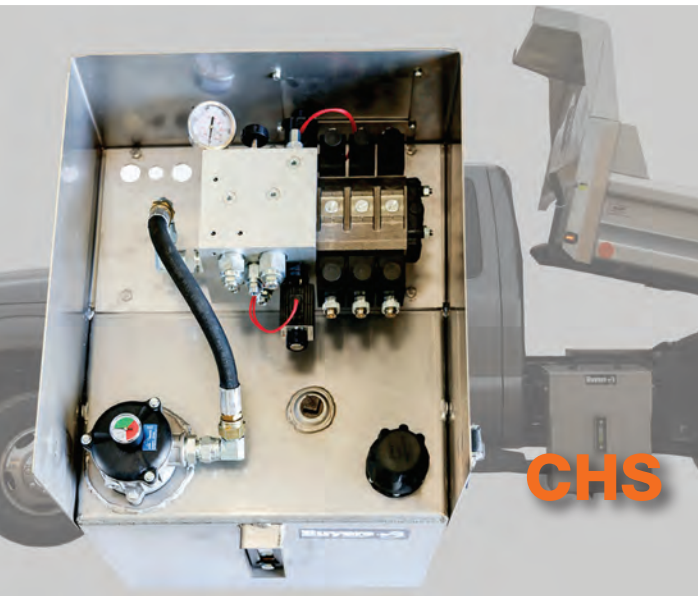
LED LIGHTS



XD TOOLBOXES



REAR CAMERAS



CHS



TOWING

The Buyers family of manufacturing companies

Tracom

VIKING FORGE

Romotech
Rotational Molding Technologies, Inc.

Boomerang
RUBBER, INC.

PROGRESSIVE
POWDER COATING, INC.